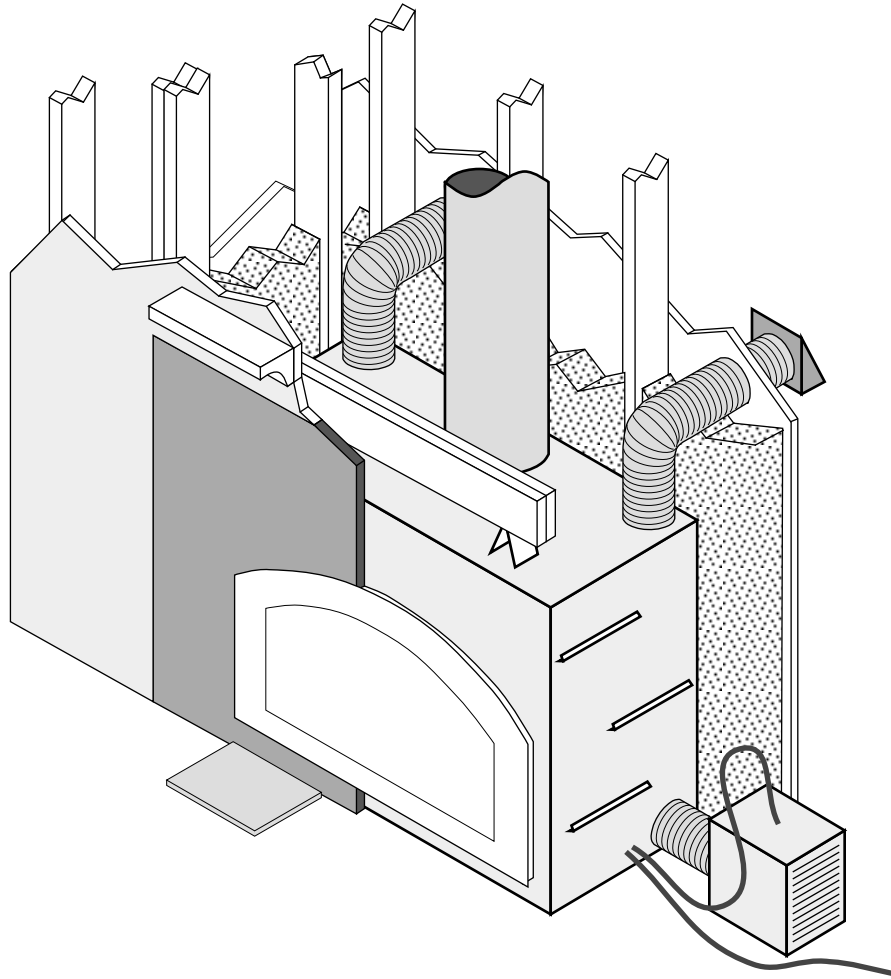


FIREPLACE XTROORDINAIR™



- **Zero Clearance
Fireplace**



44 ELITE-ZC INSTALLATION MANUAL

 **Travis Industries, Inc.**
10850 117th Place N.E. Kirkland, WA 98033

Part # 93508093

4020405

\$10.00

Features & Specifications

Features:1
 Installation Options:1
 Heating Specifications1
 Dimensions1

Installation

Installation Preparation2
 Packing List2
 Fireplace Placement Requirements3
 Minimum Framing Dimensions3
 Clearances4
 Corner Installation4
 Raised Fireplaces5
 Facing Requirements5
 Mantel Requirements7
 Hearth Requirements7
 Cooling Vents8
 Blower9
 Blower Duct Connection9
 Blower Electrical Connection10
 Chimney11
 Chimneys Part Numbers11
 Chimney Connection to Fireplace11
 Chimney Height12
 Special Chimney Requirements12
 Using Offsets13
 Clearances to Combustibles14
 Firestops14
 Framing the Roof15
 Chimney Termination Requirements15
 Finalizing the Installation16

Listing Information

Safety Label21

Index

Index22

Symbols Used in this Manual

The illustration below details what the symbols used along the left margin indicate.



Features:

- EPA Phase II approved (2.5 g/hr.)
- Maximum Log Length of 32"
- Large firebox capacity - 4.3 cu. ft.
- Long burn time - up to 10 Hours.
- Large glass doors for maximum visibility.
- Firebrick lining for firebox protection.
- 388 CFM blower for convection heat.
- Thermostat for automatic blower control.

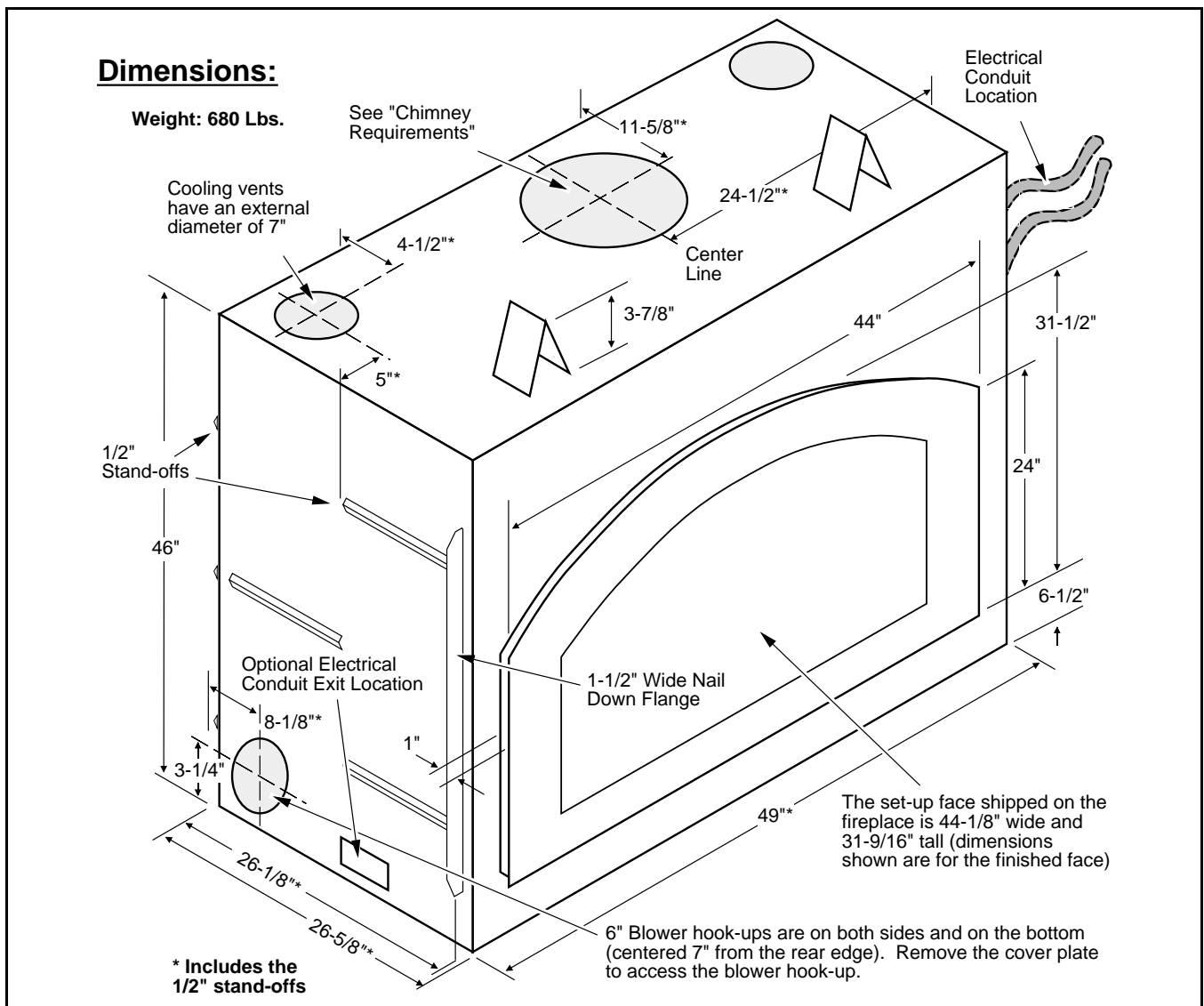
Installation Options:

- Interior or Exterior Blower
- Straight or Corner Placement
- Flush or Recessed Face
- Raised or Floor Hearth
- Internal or External Chase
- 8' lead for the power (120 Volts A.C.)
- Set-up face included for facing installation
- 3 blower duct locations (left, right, or below)

Heating Specifications

Approximate Heating Capacity (square feet)*	up to 3,000
Maximum Burning Time	Up to 12 Hours
BTU Output per Hour (Cord Wood Method)	10,700 to 76,700

* Will vary with the home's floor plan, insulation, and outside temperature.



Installation Preparation

- ! Read this entire manual before installing the fireplace.
- ! Failure to install this fireplace in accordance with all local codes and the requirements listed in this manual may result in property damage, bodily injury, or even death.
- ! Notify your insurance company before installing this fireplace.
- ! The requirements listed below are divided into sections. All requirements must be met simultaneously. The order of installation is not rigid – the qualified installer should follow the procedure best suited for the installation.
- ! Modifications of the fireplace (doors, blower, air inlet systems, damper control, or any other component supplied by Travis Industries) or use of any component part not approved by Travis Industries in combination with this fireplace system will void the listing and warranty.

Packing List

Shipped with the Fireplace:

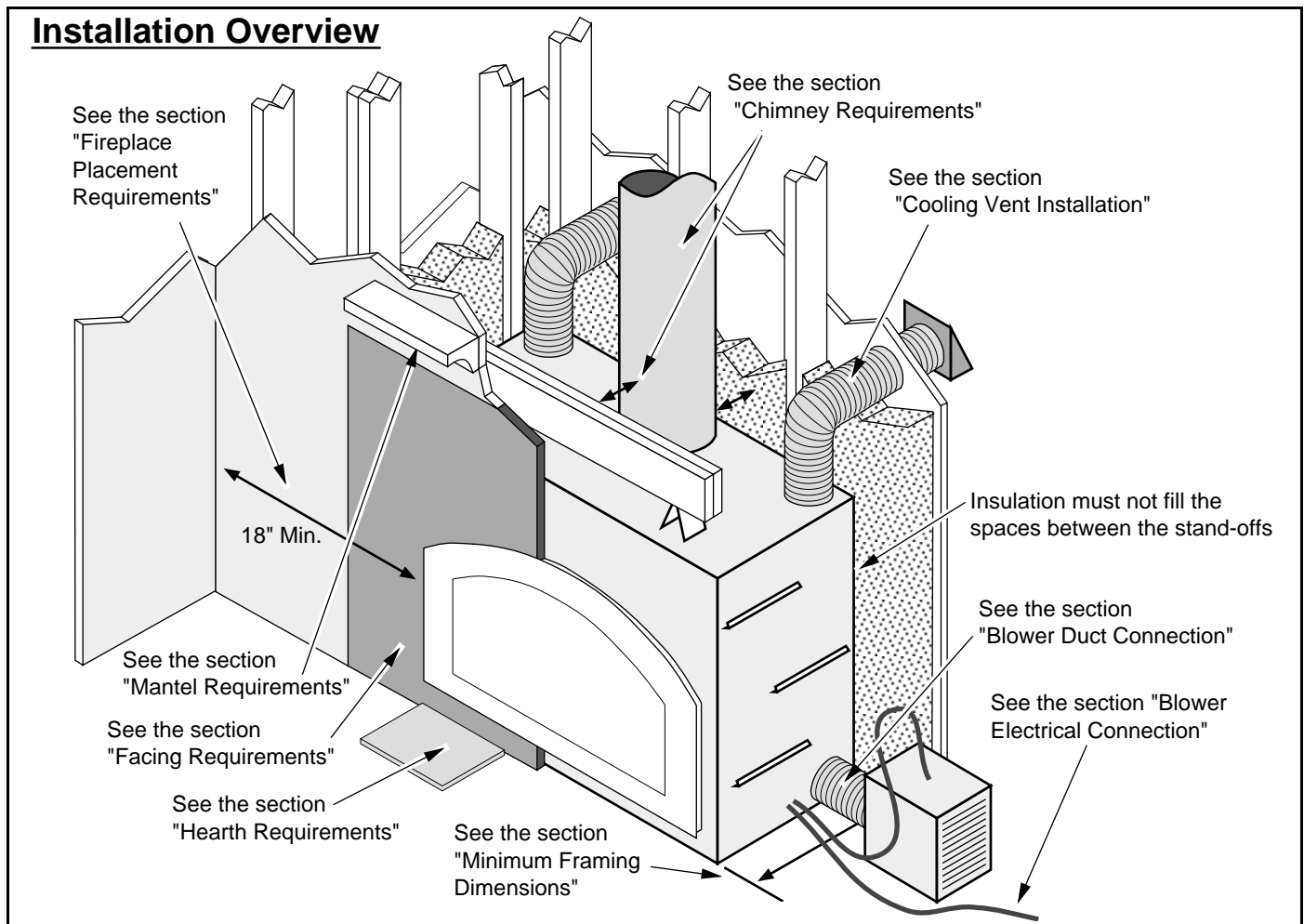
- Installation Manual
- Grate
- Baffle
- Blower Assembly
- Ember Strip
- Log Retainer (includes allen wrench & instructions)
- Flex Duct w/ start collar – 3' Length, 6" Dia (For Blower)
- Two 10' Flex Ducts, 7" Diameter (For Cooling Vents)
- Two Vent Hoods (For Cooling Vents)
- Two Vent Hood Storm Collars (For Cooling Vents)
- New Door Heat Shield (for use with 44A doors)

Shipped with the Faceplate:

- Faceplate (two switch plate screws are attached)
- Switch Plate (includes blower rheostat)
- 12 Faceplate Screws

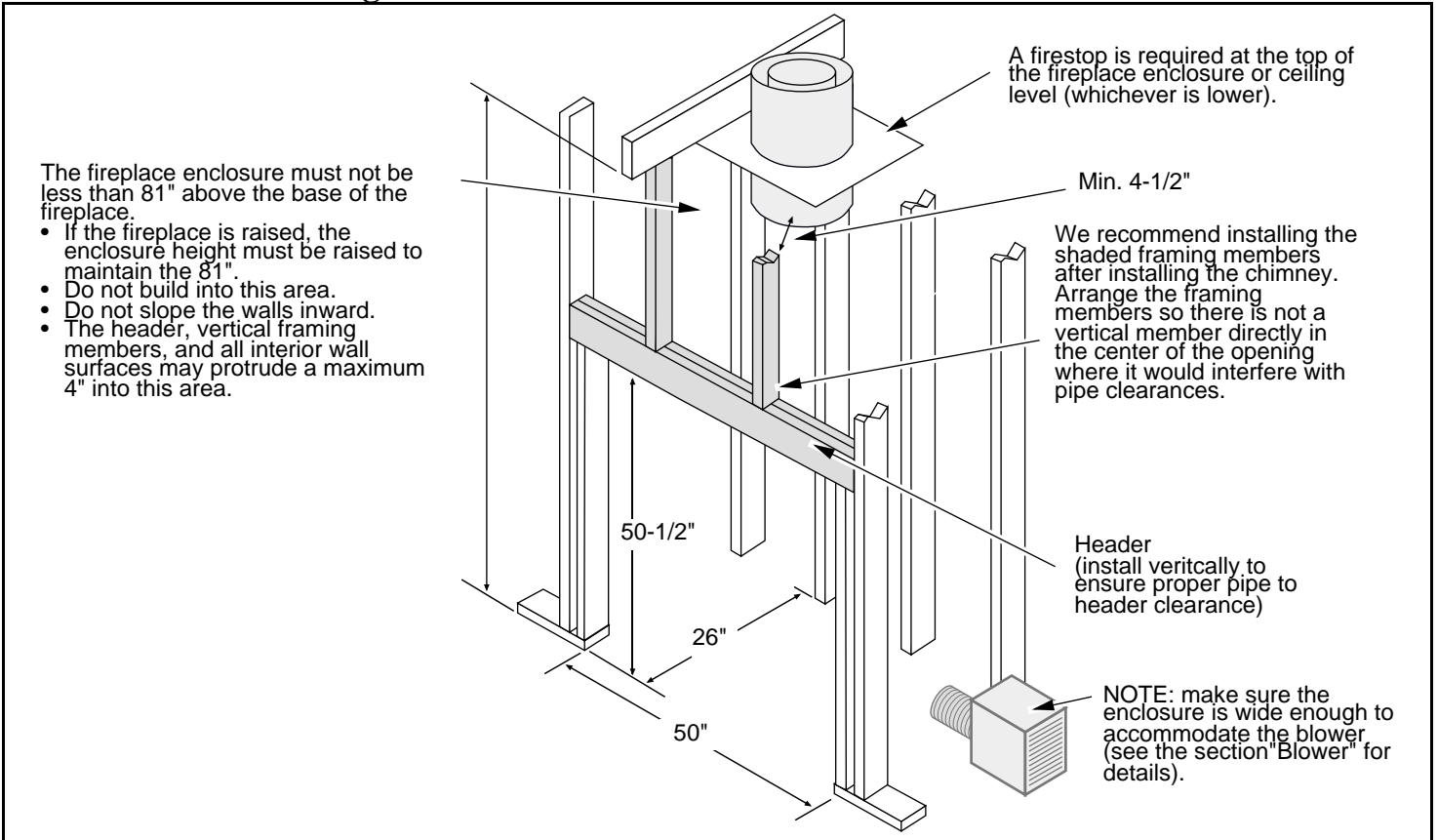
Shipped with the Door(s):

- Owner's Manual
- Installation Hardware Pack
- Pair of Gloves
- Efficiency and Registration Cards
- Touch-up Paint

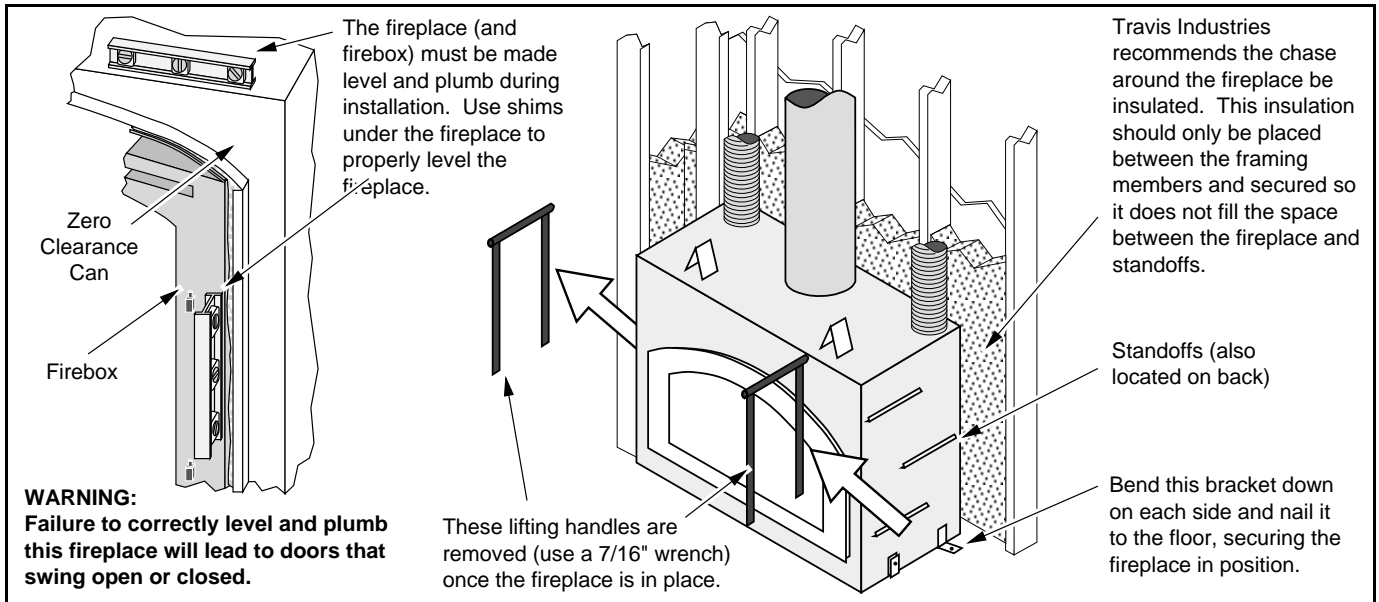


Fireplace Placement Requirements

Minimum Framing Dimensions

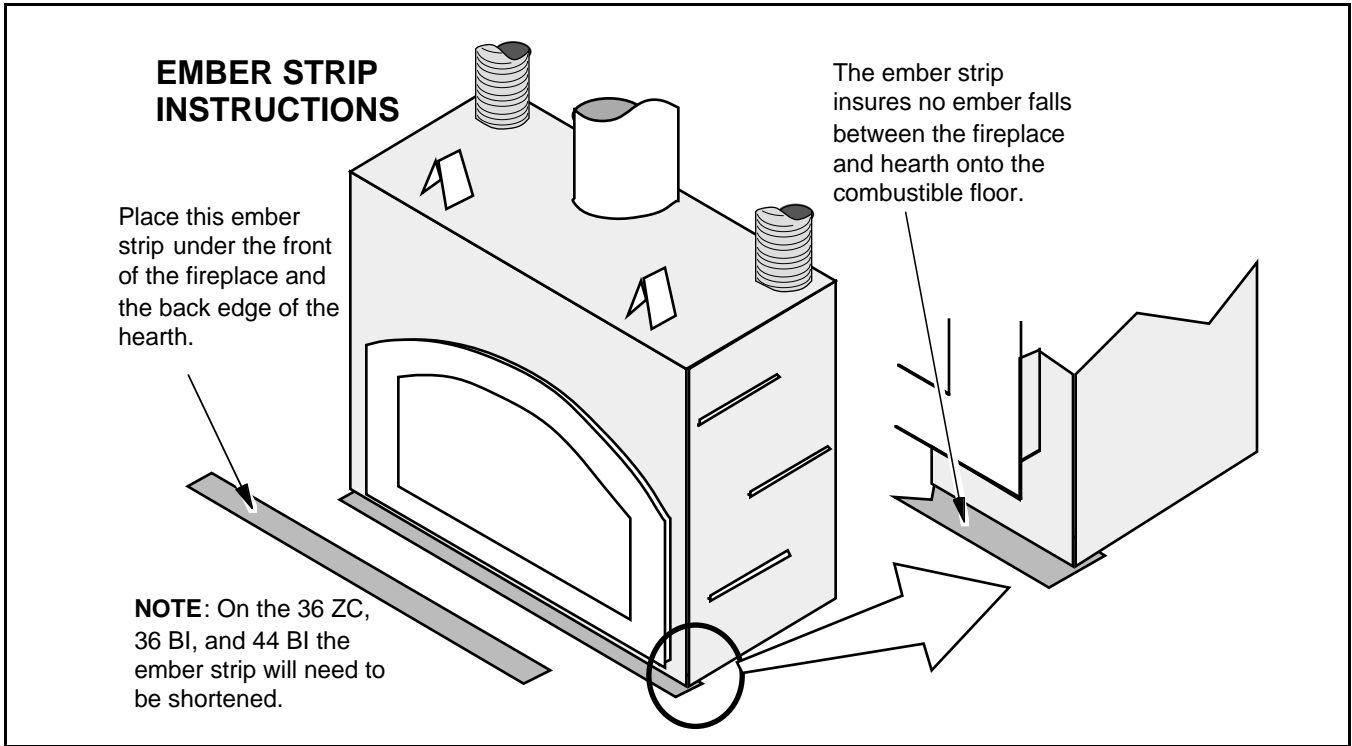


- The fireplace uses 1/2" standoffs on the back and sides and 4" stand-offs on the top to space the fireplace away from framing members or walls. These stand-offs may contact the framing members or walls but do not place insulation or other material in the space between the stand-offs and fireplace.



- The fireplace must be secured to the floor (use the lifting handle brackets - see illustration above).
- Fireplace must be placed directly on wood or non-combustible surface (not on linoleum or carpet)

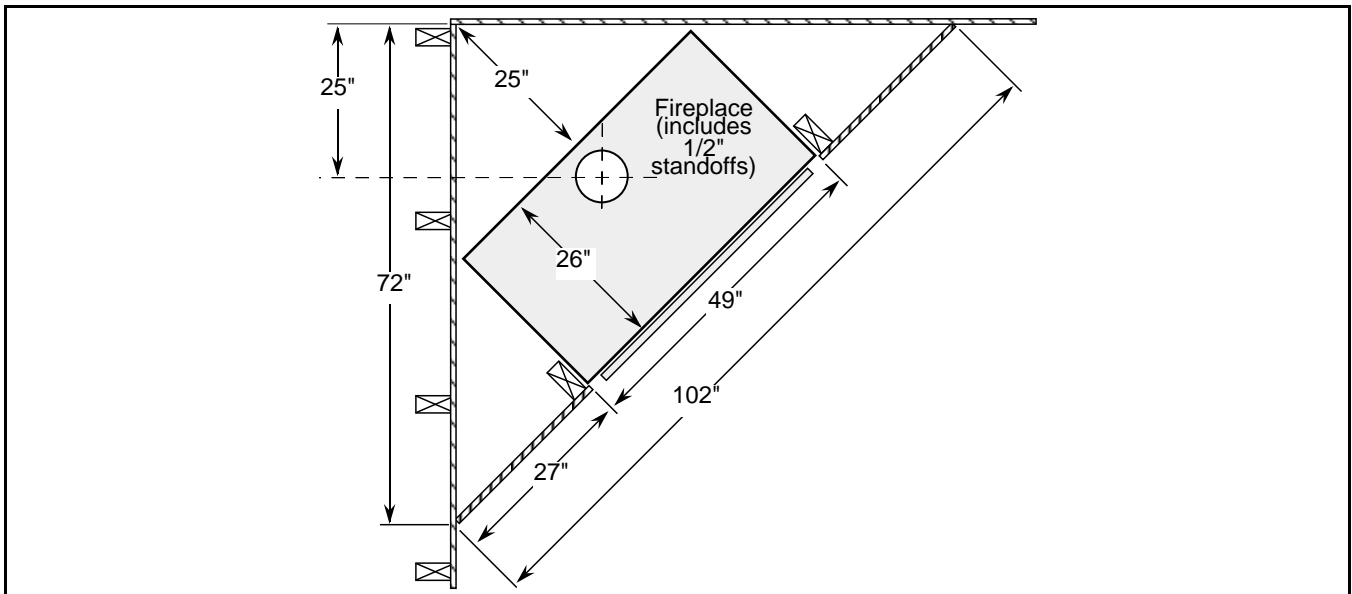
- Fireplace must be installed on a level surface capable of supporting the fireplace and chimney
- Place the ember strip included with the fireplace below the front edge of the fireplace.



Clearances

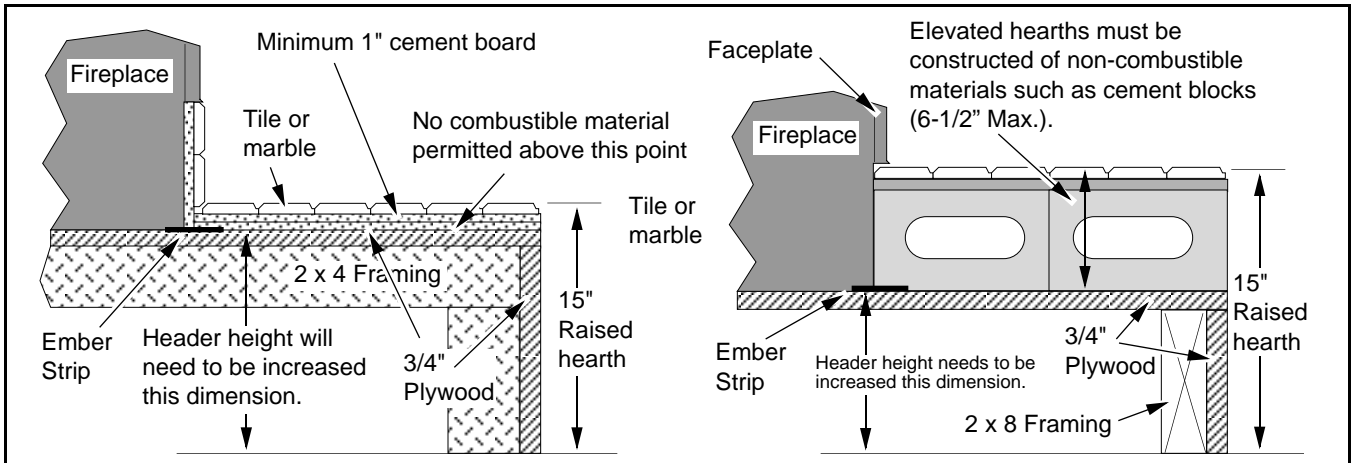
- When installed, walls in front of the fireplace must be a minimum 18" to the side of the faceplate (or 15-1/2" from the side of the fireplace) – see the illustration on page 2
- Fireplace should be located such that no doors, drapes, furniture or other combustibles can be placed close or swing closer than the minimum 36" clearance. Due to the high heat output of this fireplace, choose a location away from high traffic areas.
- Fireplace must be placed so the vents below and above the glass do not become blocked

Corner Installation (minimum framing dimensions at 45°)



Raised Fireplaces

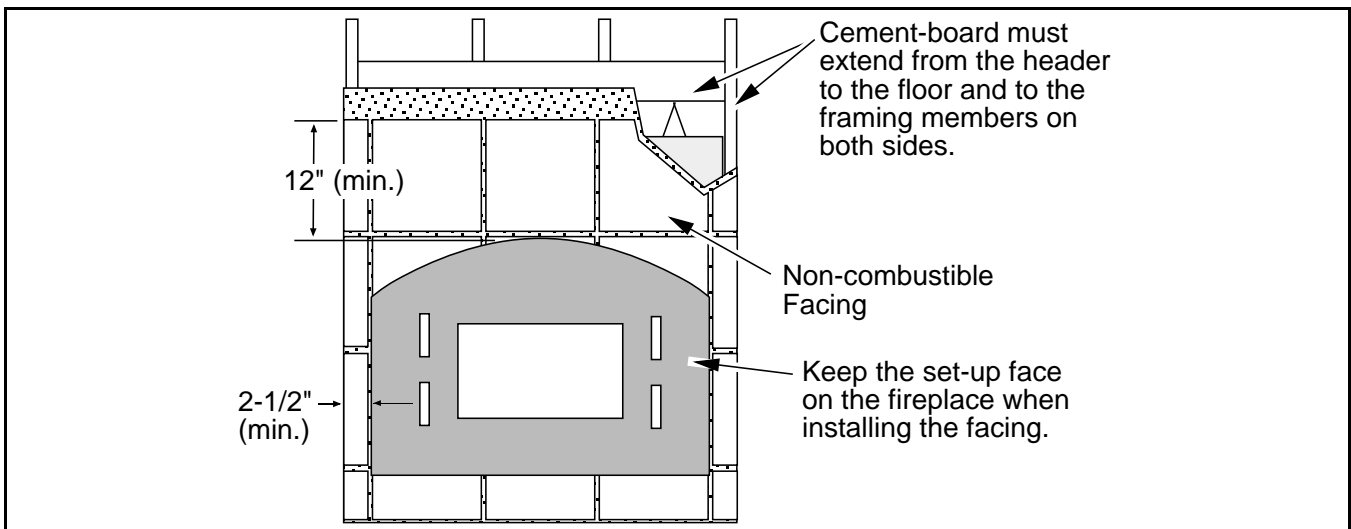
- If the fireplace is raised more than 15" above the sub-floor, the fireplace enclosure will have to be raised accordingly (see "Minimum Framing Dimensions" on page 3).
- + The fireplace may be placed on a platform designed to support the fireplace and vent (Approximately 600 Lbs.).



Facing Requirements

NOTE: Artisan faces vary in size. If the facing is over 1" thick (brick, river-rock, etc.) use the face being installed to create a template.

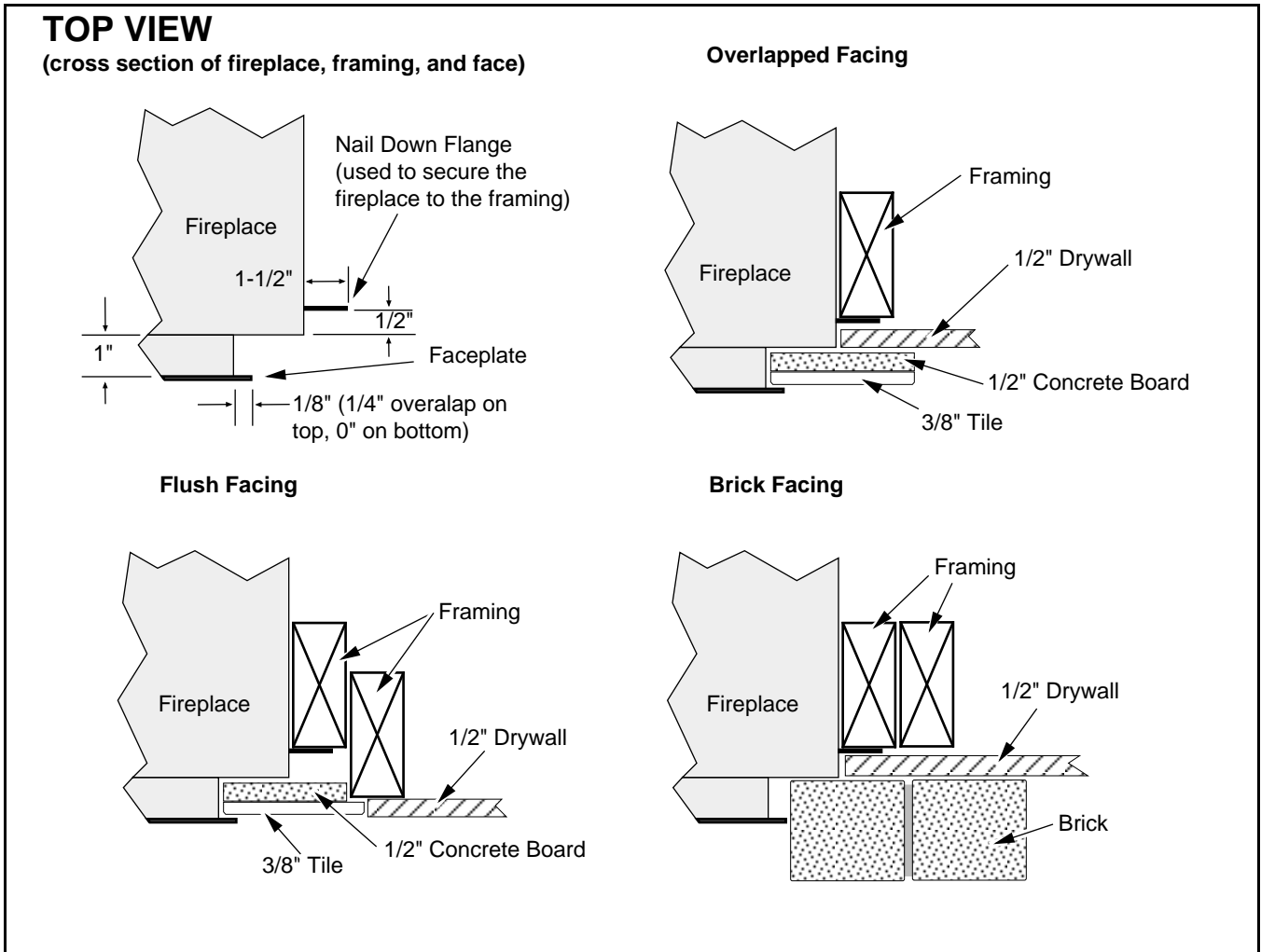
- The fireplace is shipped with a set-up face that is 1/16" larger on the top, bottom and each side than the faceplate. Leave the set-up face in place to act as a template when installing the facing.
- The fireplace requires 1/2" thick concrete-board or other non-combustible to extend from the header to the base of the fireplace and to the framing members on both sides (do not use sheetrock or drywall).
- The non-combustible facing must extend a minimum of 12" above and 2-1/2" to each side of the faceplate.
- The non-combustible facing must be a minimum 1" thick
- The facing may be attached to the front of the fireplace with screws. Do not penetrate the fireplace more than 3/4".



- Facing may be installed so it inserts behind the faceplate. NOTE: the faceplate protrudes 1" from the front of the fireplace, has a 1/8" overlap on the sides, and 1/4" overlap on top.

Facing Requirements (continued)

- The combustible area above the facing must not protrude more than 3/4" from the facing. If it does, it is considered a mantel and must meet the mantel requirements listed in this manual.
- To achieve a facing that is flush with the drywall to the side of the fireplace, recess the framing directly next to the fireplace. See the illustration below.

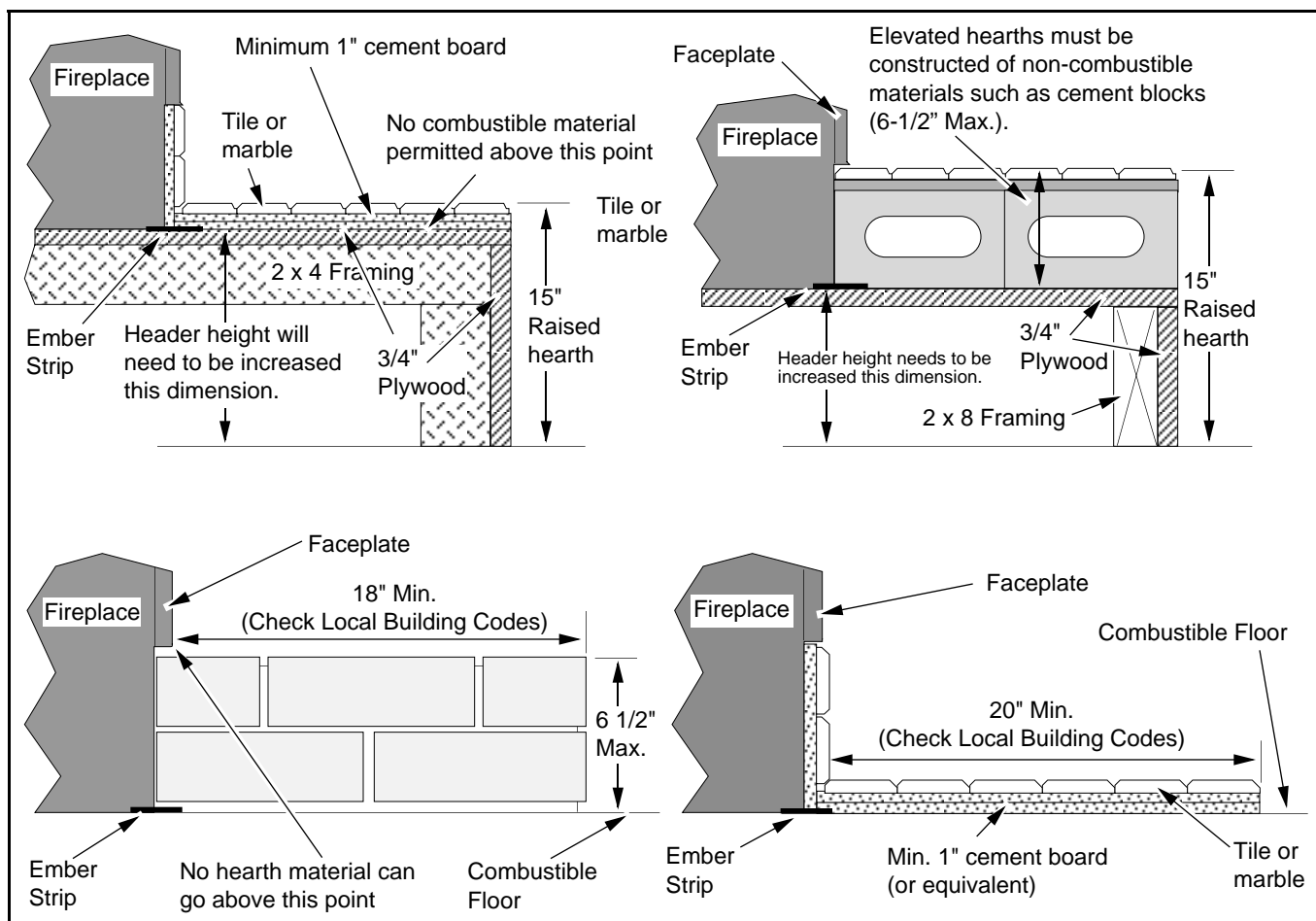
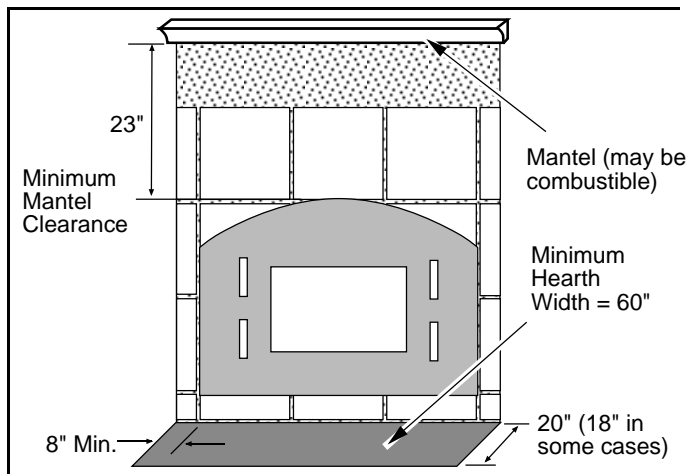


Mantel Requirements

- The optional mantel must be a minimum 23" above the top of the faceplate (61" above the base)
- The mantel must not extend more than 8-1/2" in front of the facing surface (combustible or non-combustible).
- Mantel side columns that protrude more than 3/4" must maintain an 18" clearance to the faceplate

Hearth Requirements

- ? Local building codes may require a minimum hearth requirement different of what this manual states
- Hearth must extend 20" in front of the faceplate when it is not elevated (see local building codes). Hearths raised 6-1/2" must extend a minimum 18".
- Hearth must extend a minimum 8" to both sides of the faceplate (60" wide)
- Hearth must be a minimum 1" thick of cement board (or equivalent)
- Hearth must not rise more than 6-1/2" above the base of the fireplace



Cooling Vents

! The cooling vents provide cooling air for the fireplace and chimney system. Failure to correctly install the cooling vents will lead to an extremely dangerous installation and possibly a fire.

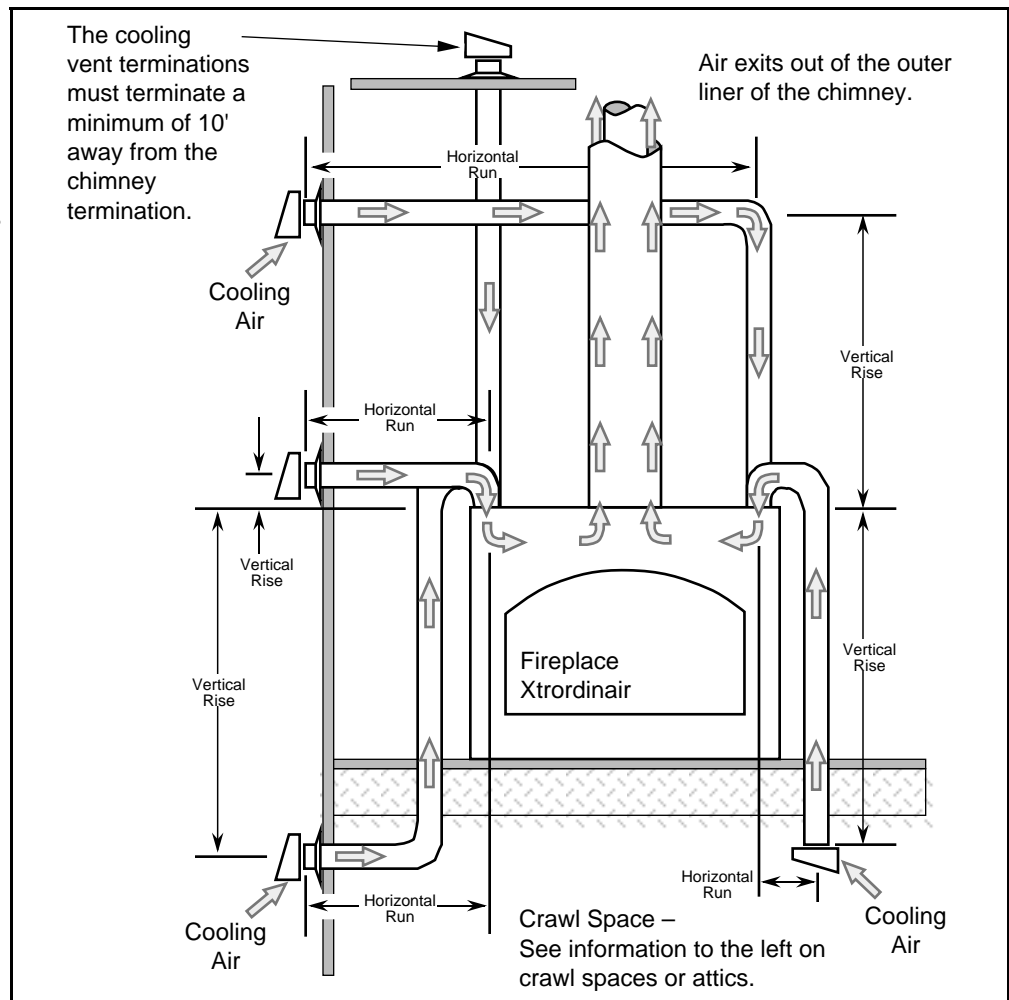
- The two cooling vents must be installed so as to route air from the outside to the two starter collars on the top rear corners of the fireplace. Secure the vents to the collars using high-temperature aluminum tape and/or sheet metal screws.
- A maximum of two 90° bends may be used on each vent. However, if a 180° bend is placed directly off the starter collar, one additional 90° bend may be used.
- The maximum distance for the cooling ducts is listed below:

When the vertical rise is between:	The maximum horizontal run may be:
6' and 10' (max)	5'
3' and 6'	15'
1' and 3'	20'
0' and 1'	25'

- Included with the fireplace are two 12' lengths of vent, use a connector and seal if adding more length
- The duct terminations must be located so they can not be blocked (e.g. snow drifts)

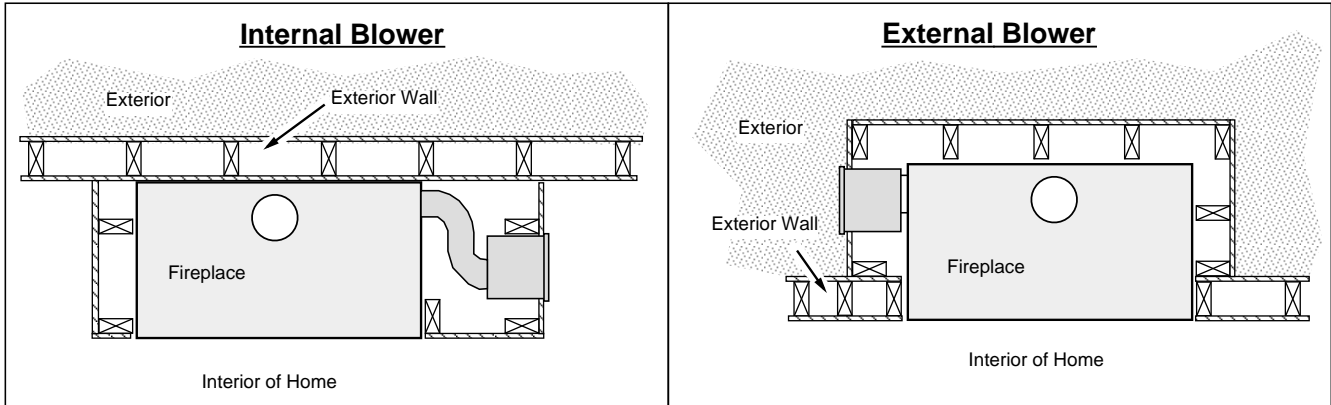
- Included with the fireplace is a set of storm collars and vent hoods. Place the collars around the vent on the exterior and attach with screws or caulking to seal the wall from the vent penetration. Place the hood, with open portion facing down, over the cooling vents and secure.

- ? The cooling air duct terminations may be installed to draw air from a ventilated crawl space or attic if approved by local building codes.
NOTE: certain codes require a fire curtain damper in these cases.

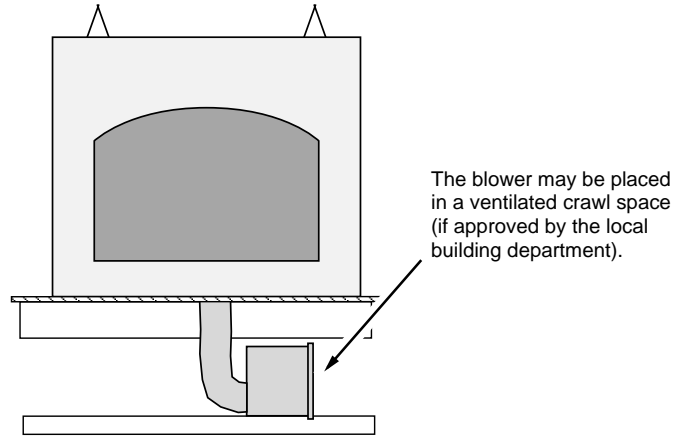


Blower

The external blower pushes air through blower duct to the fireplace, where it is heated and distributed into the room. The blower may be located to draw air from the exterior of the home, producing positive pressure inside the home. Or, if desired, the blower may be located to draw air from the interior of the home.

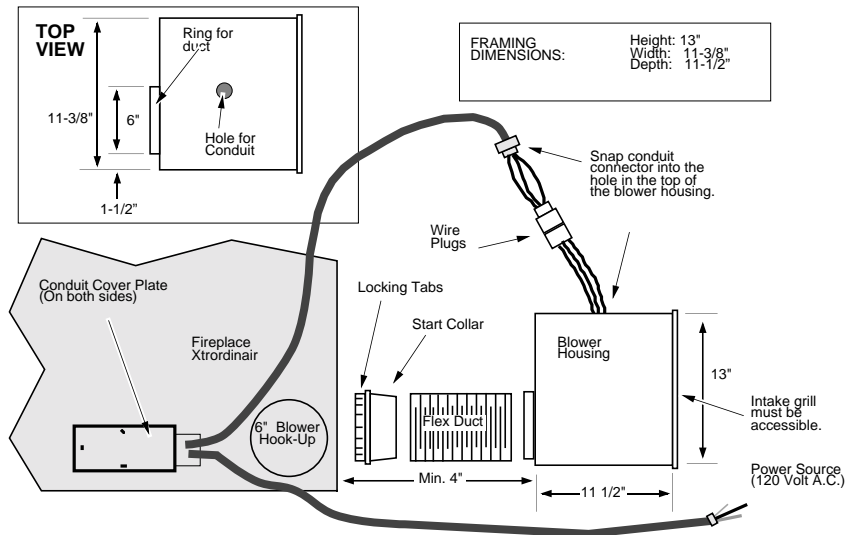


- Do not draw air from confined areas or from a garage or area containing fumes or emissions. The blower inlet must be a minimum 36" below any exhaust vent.
- The blower may be installed to draw air from a crawl space or attic if approved by local building codes. **NOTE:** certain codes require a fire curtain in these cases.



Blower Duct Connection

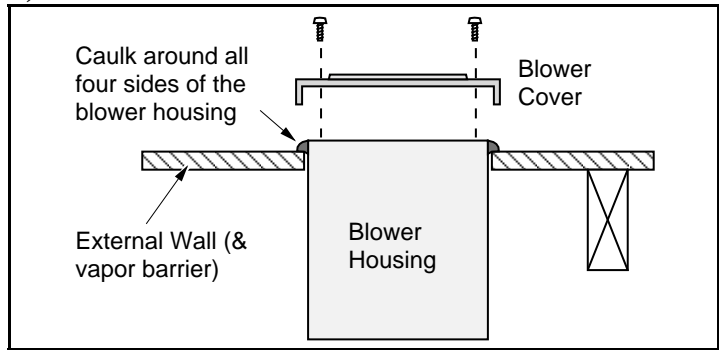
- The shorter the blower duct, the greater the air flow.
- Connect the blower duct to the right, left, or bottom of the fireplace. Each location is sealed with a cover plate (use a 5/16" nutdriver to remove cover plate). If using the bottom location, remove the 8-1/2" by 6-1/4" air deflector directly above the cover plate and attach the duct to the 6" hole above the deflector. Insert the starter section into the blower hook-up hole and bend the flanges outwards, locking the starter section in place.



- Attach the flex duct to the collar on the blower box and start collar using duct tape and/or screws
- The maximum length for 6" diameter blower duct is 15' (use the included duct & start collar)

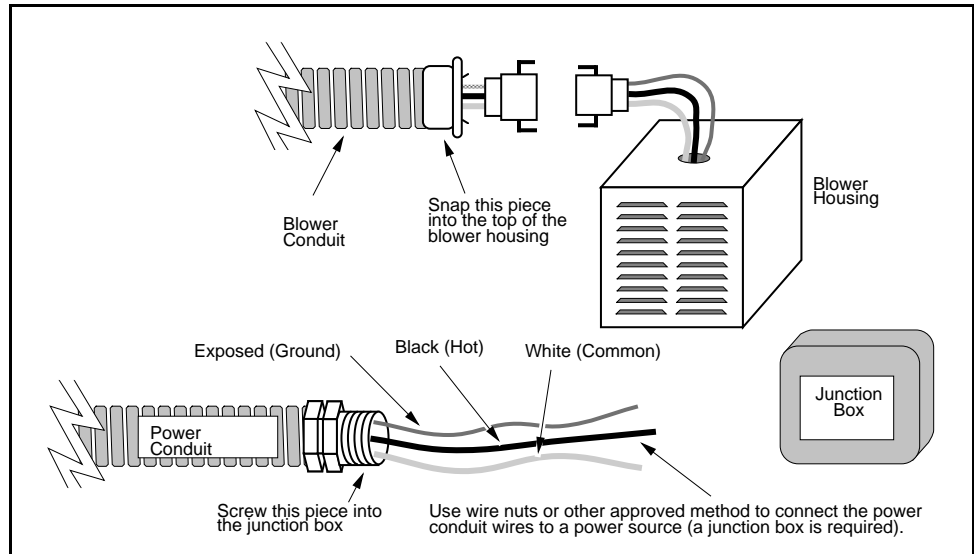
Blower Duct Connection (continued)

- The maximum length for 8" diameter blower duct is 25' (use two 6" to 8" adapters)
- A maximum of two 90° bends may be used.
- The blower, if located on an external wall, must be weatherproofed. Remove the blower cover and install the blower. Apply caulk around the perimeter of the blower housing where it contacts the external wall and vapor barrier (apply sparingly). Replace the blower cover.



Blower Electrical Connection

- Connect the electrical conduit to a 120 Volt, 60 Hz (2 Amp) electrical supply. Use a junction box to protect the electrical connection.
- Connect the blower conduit to the blower box by attaching the two molex connectors together. Insert the molex connectors into the blower box. Then attach the conduit to the blower box by inserting it into the top until it snaps in place.



Chimney Requirements

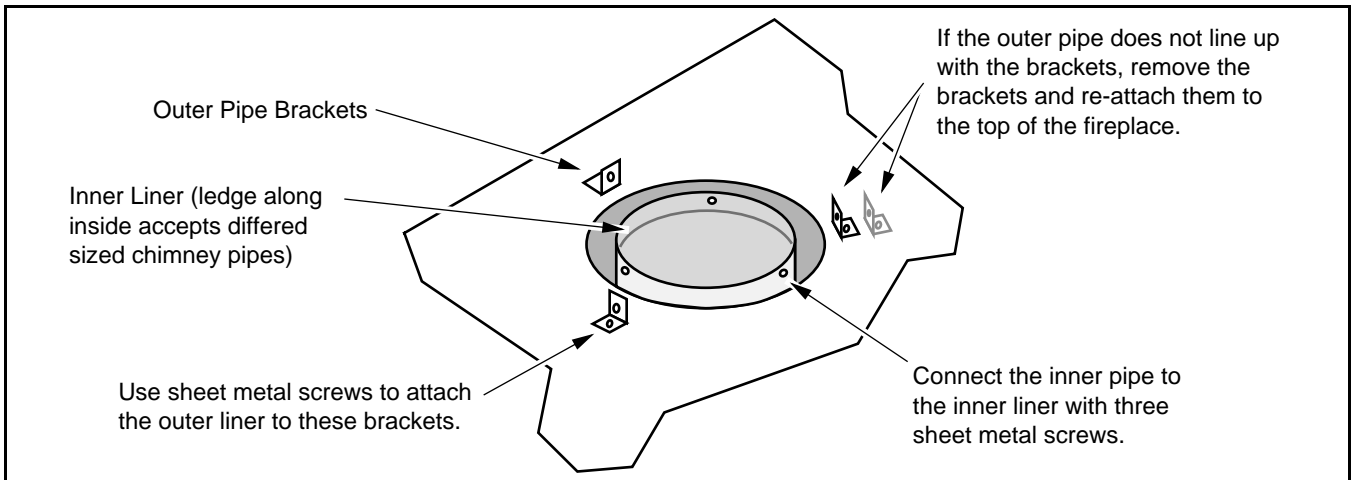
- Use one of the following brands and type of chimney:
 - Temco 82
 - Superior TF8
 - FMI 8DM
 - Marco 8D

Chimneys Part Numbers

Chimney Components	Temco 82	Superior TF8	FMI 8DM	Marco 8D
12" Chimney Section	8212D	TF8-12	12-8DM	12 - 8D
18" Chimney Section	8218D	TF8-18	18-8DM	18 - 8D
24" Chimney Section	8224D	---	24-8DM	----
36" Chimney Section	8236D	TF8-36	36-8DM	36 - 8D
48" Chimney Section	8248D	TF8-48	48-8DM	48 - 8D
Offsets	8232E	TF8-30, TF8-E30	30E-8DM	30E - 8D
Flashing	8206F	8-F6	6F8 or 12F8	12F - 8D
Chimney Cap	8203D	TF8-CTO	RTL-8HT	BT - 8D
Roof Support	8204S	8-54	38 RS	12CPS - 8D
Firestop Spacer	---	8FS-2	FS-8DM	FS30 - 8D

Chimney Connection to Fireplace

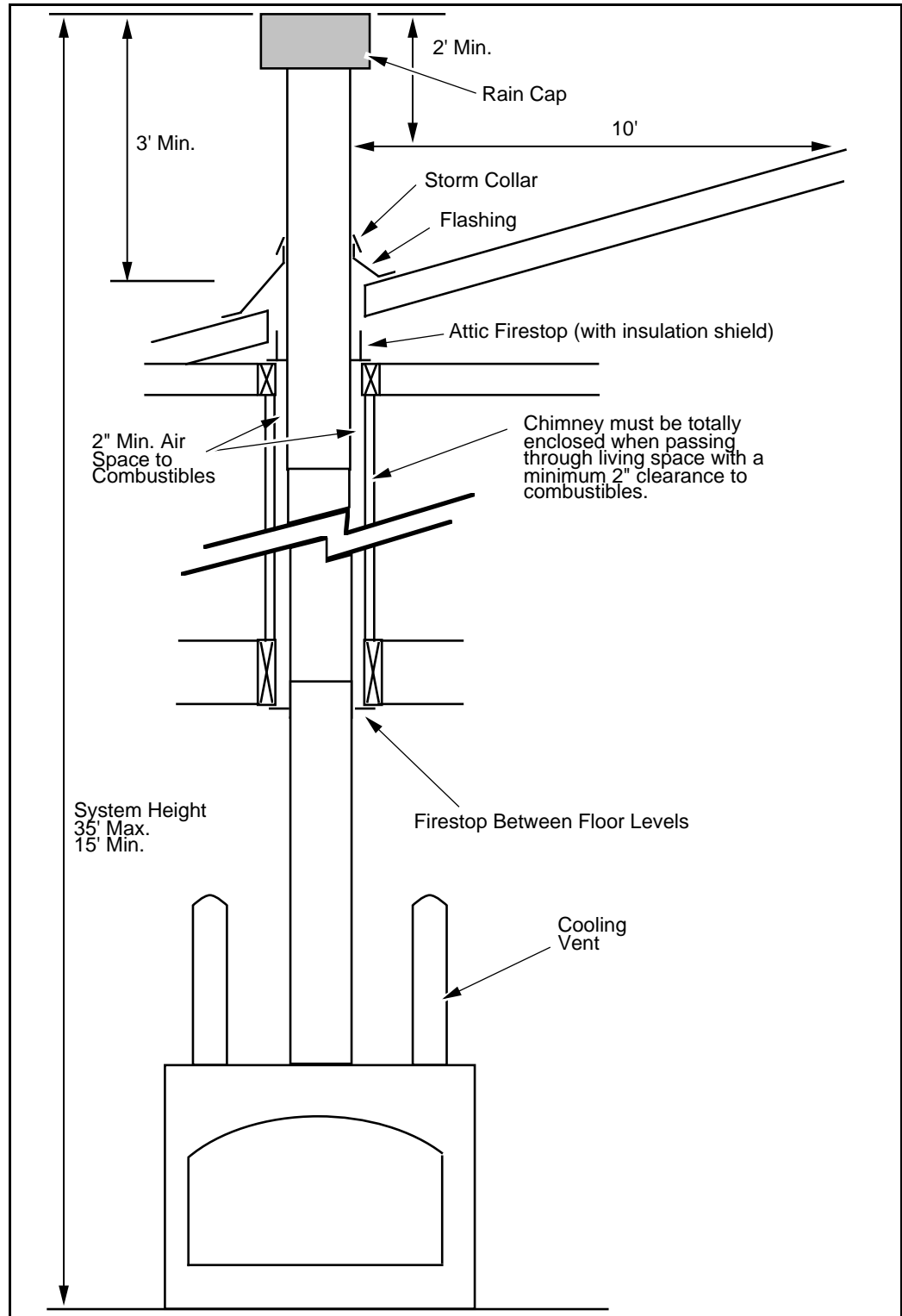
- Each brand of chimney has a slightly different outside diameter. To accommodate this, the fireplace has three "L" brackets (outer liner connectors) on the top of the fireplace can. Center a section of chimney over the chimney opening and mark the exterior location of the chimney. Then reposition the "L" brackets, if necessary, so they are directly adjacent the exterior of the chimney. Use a drill with a 5/16" driver bit to re-install the "L" brackets (use the existing sheet metal screws).



- When attaching the chimney to the fireplace, first slide down the inner liner of the chimney pipe into the inner liner of the fireplace. Certain brands of chimney pipe will stop at the ledge, while others will insert beyond the ledge. When the chimney pipe is fully seated and aligned, drill three holes in the chimney pipe where it lines up with the holes in the fireplace inner liner. Secure the fireplace to the chimney pipe with three sheet metal screws. If there are any large gaps between the chimney pipe and fireplace, use furnace cement to seal (allow 24 hours to dry before burning the fireplace).

Chimney Height

- Minimum 15' system height (measured from the base of the fireplace)
- Maximum 35' system height (measured from the base of the fireplace)
- ? In some problematic situations, additional chimney height above the specified minimums may be necessary to reduce wind-induced down drafting and back puffing, or to increase draft, thereby improving fireplace operating characteristics.

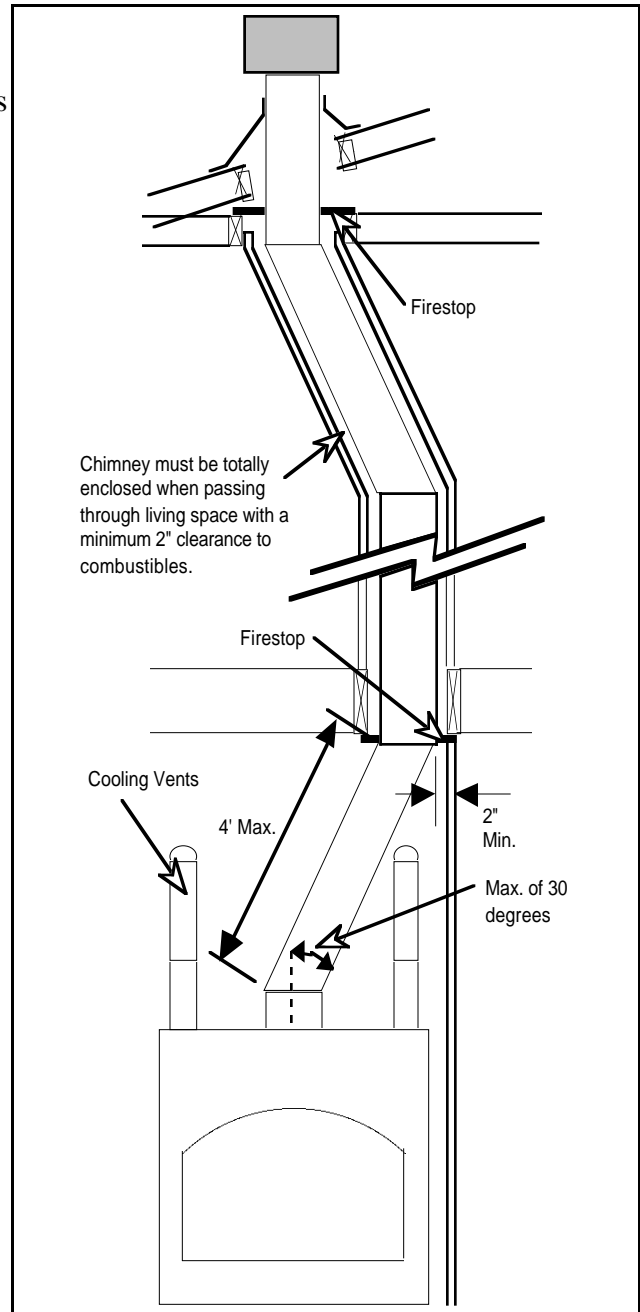
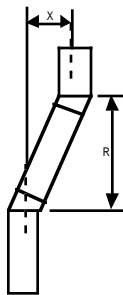


Required Chimney Equipment

- ! Depending on the manufacturer and where the chimney is to be installed, chimney supports, roof braces, radiation shields, attic insulation shields, attic enclosures, spark arrestors, locking bands, etc... may be required as part of the chimney system. The manufacturer's installation instructions, which are reviewed by the listing agency, specifies when and where each of these components must be used. Follow the manufacturer's instructions for the use of flashing and an adjustable storm collar at the roof line to prevent water from entering the house. Manufacturers require that chimneys extending beyond a certain height above the roof (frequently above 5') must also be braced.

Using Offsets

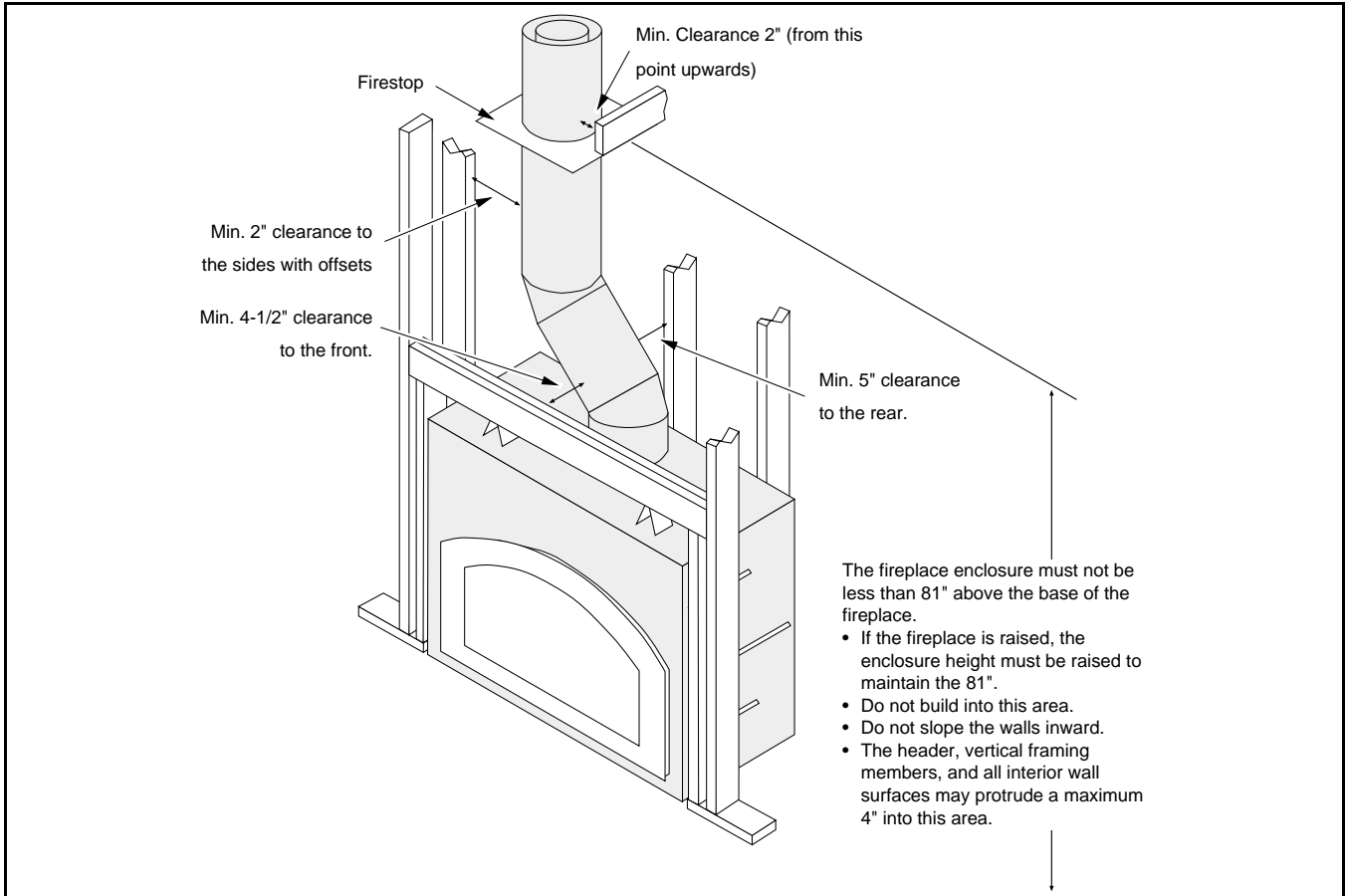
- 30° Elbows may be used to offset the chimney (to align the chimney or gain clearance to combustibles)
- A maximum four 30° elbows may be used
- Each elbow must be used in conjunction with a return elbow (so the chimney returns to a vertical direction)
- If using a single offset (two 30° elbows) a maximum of 8' of inclined chimney may be used between elbows.
- If using two offsets (four 30° elbows) a maximum of 4' of inclined chimney may be used between each set of elbows.
- For every 6' of inclined chimney a flue support is required
- Elbows may be used directly off the top of the fireplace (maintain a 5" clearance to combustibles on the back wall, 4 1/2" minimum on the front wall and header, and 18" minimum to the side walls)
- The table below details the amount of offset ("X") and rise ("R") gained from various chimney lengths when used with 30° elbows. Make sure to add the amounts for both elbows. Two sections may be added together to form a combined length. For example, 12" and 18" Temco chimney sections give an offset of 17-5/8" (3-7/8" + 5-3/8" + 8-3/8" = 17-5/8"). The rise ("R") equals 38-1/8" (14-3/8" + 9-1/4" + 14-1/2" = 38-1/8").



MEASURED IN INCHES	Temco 82 Series		Superior TF8		FMI 8DM		Marco 8D	
	OFFSET	RISE	OFFSET	RISE	OFFSET	RISE	OFFSET	RISE
	"X"	"R"	"X"	"R"	"X"	"R"	"X"	"R"
2 Elbows	3 7/8	14 3/8	4	15	4 3/8	16 3/8	5 1/4	19 1/4
12" Section	5 3/8	9 1/4	5 1/4	9	5 3/8	9 1/8	5 1/4	9
18" Section	8 3/8	14 1/2	8 1/4	14 1/4	8 3/8	14 3/8	8 1/4	14 1/2
24" Section	11 3/8	19 5/8	---	---	---	---	---	---
36" Section	17 3/8	30	17 1/4	30	17 3/8	29 7/8	17 1/4	30 1/4
48" Section	23 3/8	40 3/8	23 1/4	40 1/4	23 3/8	40 1/4	23 1/4	40 1/2
Flue Support	1 1/2	2 3/8	1 1/2	2 1/2	6 3/4	11 3/4	5 1/4	9 1/4

Clearances to Combustibles

- ! Follow the clearances listed below - do not follow the clearances listed in the chimney instructions
- Maintain a 2" clearance from the chimney to combustibles (measured horizontally)
- Use offsets, if necessary, to maintain clearances
- In the area above the fireplace before the chimney penetrates the ceiling (use a firestop), the chimney must maintain the clearances listed below:
 - 5" to the rear of the chimney
 - 4-1/2" to the front of the chimney



Firestops

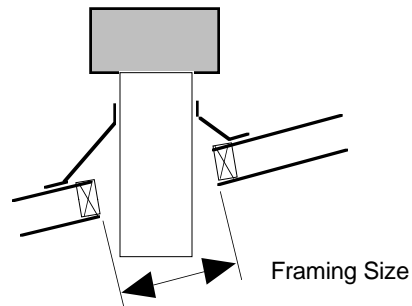
- Whenever the chimney penetrates a floor or ceiling a firestop is required on the bottom side of the floor joists
- When passing through an attic the firestop must be placed on the attic side of the joists
- When the chimney passes through a living space it must be totally enclosed (maintain the minimum 2" clearance to combustibles)
- The space between frames that hold the firestop in place should be measured as follows:

Temco	16"
Superior	16 1/2"
FMI	16 1/2"
Marco	16 1/2"

NOTE: Many firestops are designed for a 1" clearance, this fireplace requires a 2" clearance.

Framing the Roof

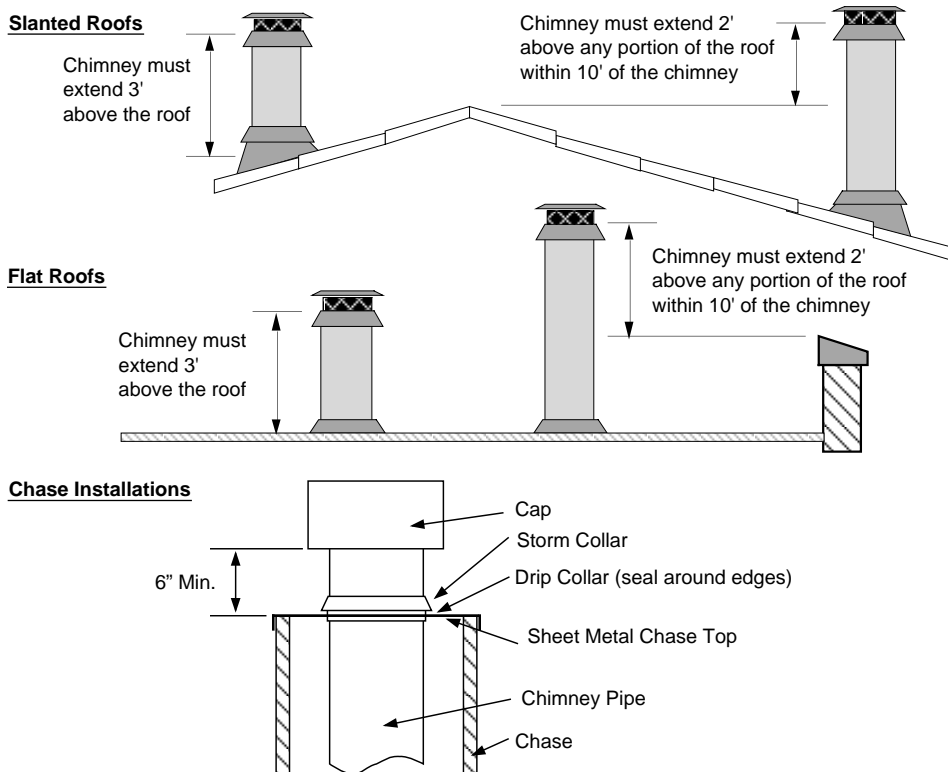
- Follow the manufacturer's instructions for the use of flashing and an adjustable storm collar at the roof line to prevent water from entering the house.
- The table below may be used to determine the appropriate framing size. When installing into a sloped roof, it is important to determine the size of the framing for clearance purposes. Use the appropriate column for 2 x 4 or 2 x 6 rafters. It is not necessary to frame around the hole opening if the clearance to combustibles can be maintained between two rafters.



SLOPE	Chimney Type		Chimney Type	
	Temco (12" diameter)	Superior, FMI, or Marco (12-1/2")	2 by 4 Rafter	2 by 6 Rafter
0/12	16 x 16	16 x 16	16 1/2 x 16 1/2	16 1/2 x 16 1/2
1/12	16 x 16 1/2	16 x 16 5/8	16 1/2 x 17	16 1/2 x 17 1/8
2/12	16 x 17	16 x 17 1/4	16 1/2 x 17 1/2	16 1/2 x 17 3/4
3/12	16 x 17 1/2	16 x 18	16 1/2 x 18	16 1/2 x 18 1/2
4/12	16 x 18 1/4	16 x 18 7/8	16 1/2 x 18 3/4	16 1/2 x 19 3/8
5/12	16 x 19	16 x 19 1/4	16 1/2 x 19 1/2	16 1/2 x 19 3/4
6/12	16 x 19 7/8	16 x 20 7/8	16 1/2 x 20 3/8	16 1/2 x 21 3/8
7/12	16 x 20 3/4	16 x 21 1/2	16 1/2 x 21 1/4	16 1/2 x 22
8/12	16 x 21 3/4	16 x 23	16 1/2 x 22 1/4	16 1/2 x 23 1/2
9/12	16 x 22 3/4	16 x 24 1/4	16 1/2 x 23 1/4	16 1/2 x 24 3/4
10/12	16 x 23 3/4	16 x 25 1/2	16 1/2 x 24 1/4	16 1/2 x 26
11/12	16 x 25	16 x 26 3/4	16 1/2 x 25 1/2	16 1/2 x 27 1/4
12/12	16 x 26 1/8	16 x 28 1/8	16 1/2 x 26 5/8	16 1/2 x 28 5/8

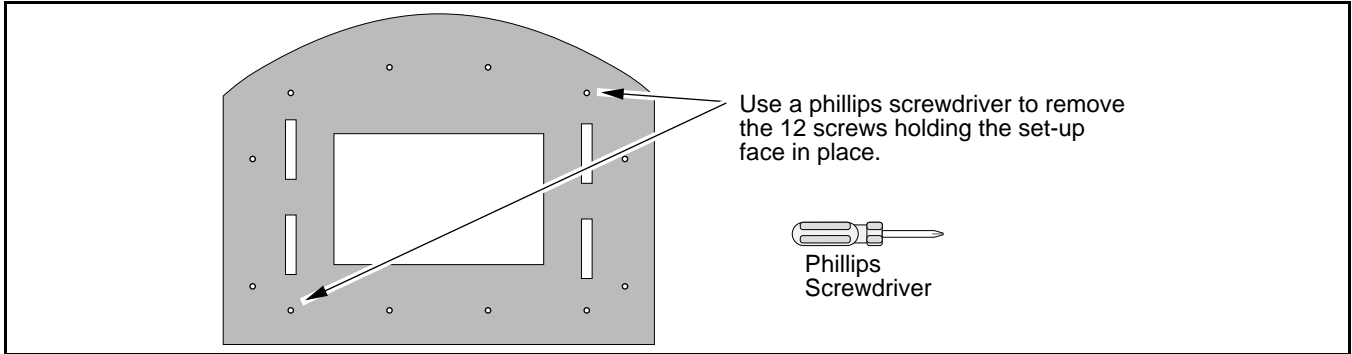
Chimney Termination Requirements

- The chimney must terminate a minimum 3' above the roof and 2' above any portion within 10' (measured horizontally). This applies to flat and sloped roofs.
- The chimney must have a chimney cap
- When using a chase to enclose a chimney, the chimney termination is not required to be 3' above the chase as long as the chase is above the roof structure. The chimney cap must still maintain the 2, 3, 10 clearance to any other structure. See the illustration to the right.
- Chimneys extending beyond a certain height (frequently 5') above the roof may require braces (check the chimney instructions for details)
- In some problematic situations, additional chimney height above the specified minimums may be necessary to reduce wind-induced down drafting and back puffing, or to increase draft, thereby improving fireplace operating characteristics.

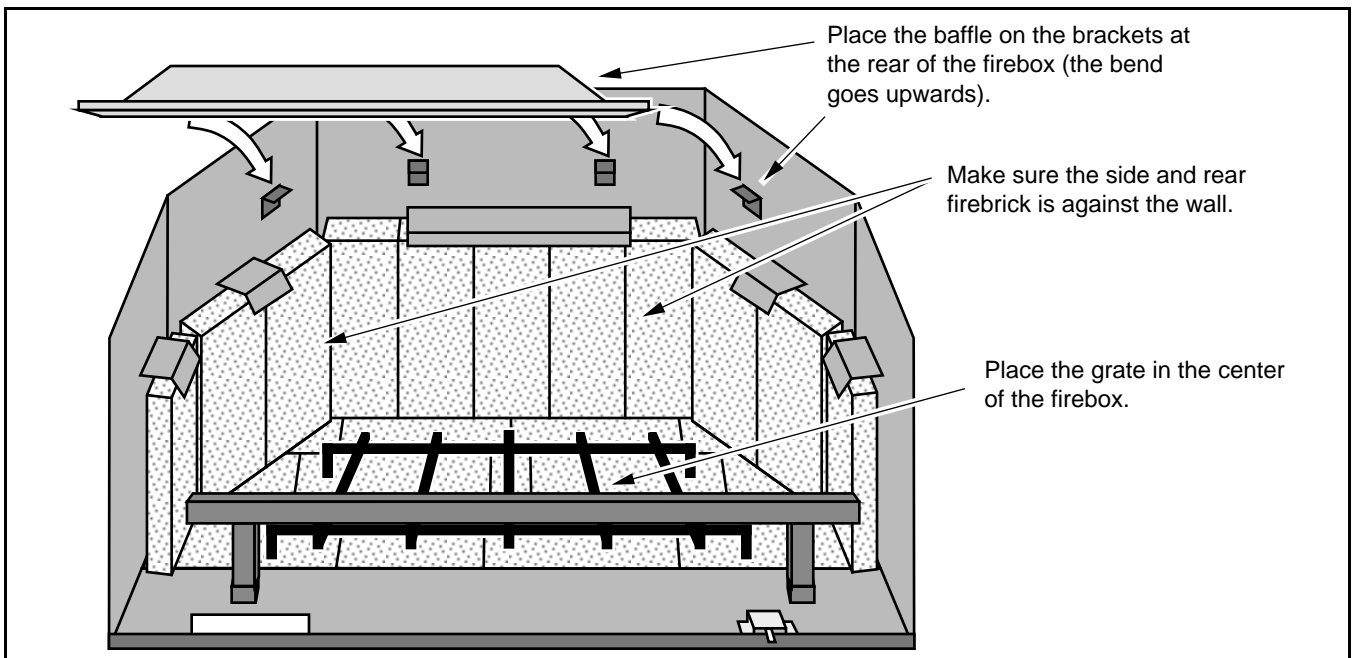


Finalizing the Installation

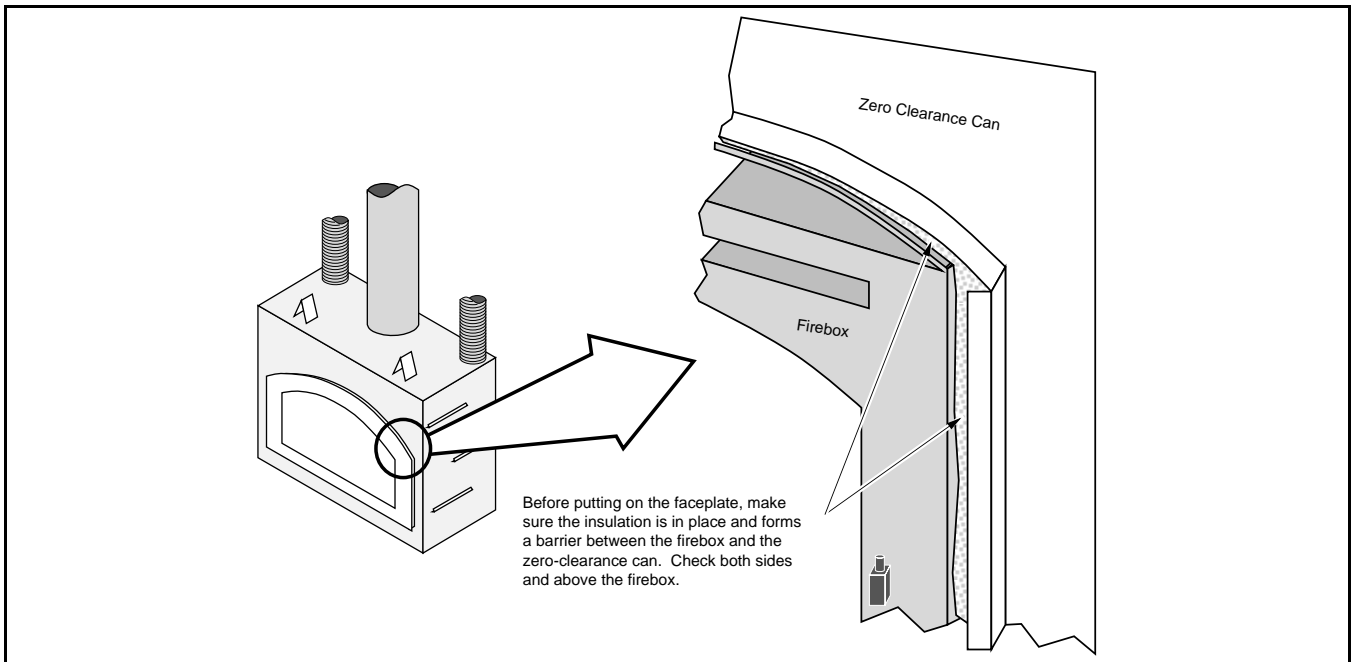
- ! **ACID WASH WARNING:** Before installing the faceplate, make sure any masonry that has been treated with acid wash has been properly neutralized (this is used primarily with brick faces). Acid wash (muriatic acid) is used to remove excess mortar. If not properly neutralized with an ammonia solution, the gold face may develop a permanent tarnish when the acid evaporates over time.
 - ! **WOOD SCRAP WARNING:** Never burn wood scraps in the fireplace. Treated wood breaks down the catalyst inside the fireplace, decreasing efficiency and increasing emissions.
- 1 Remove the set-up face using a phillips screwdriver included with the faceplate.



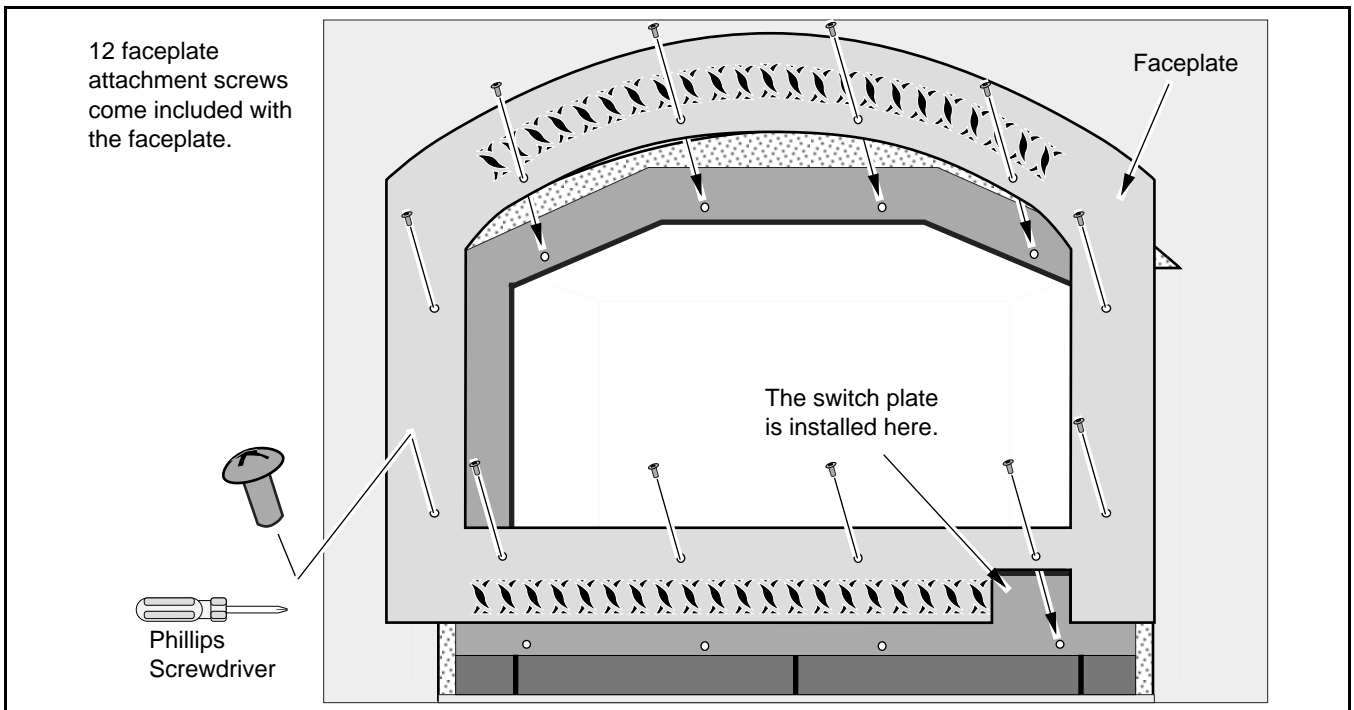
- 2 Make sure the firebrick is properly in place.
- 3 Install the log retainer using the included 1/8" allen wrench.
- 4 Install the baffle and grate.



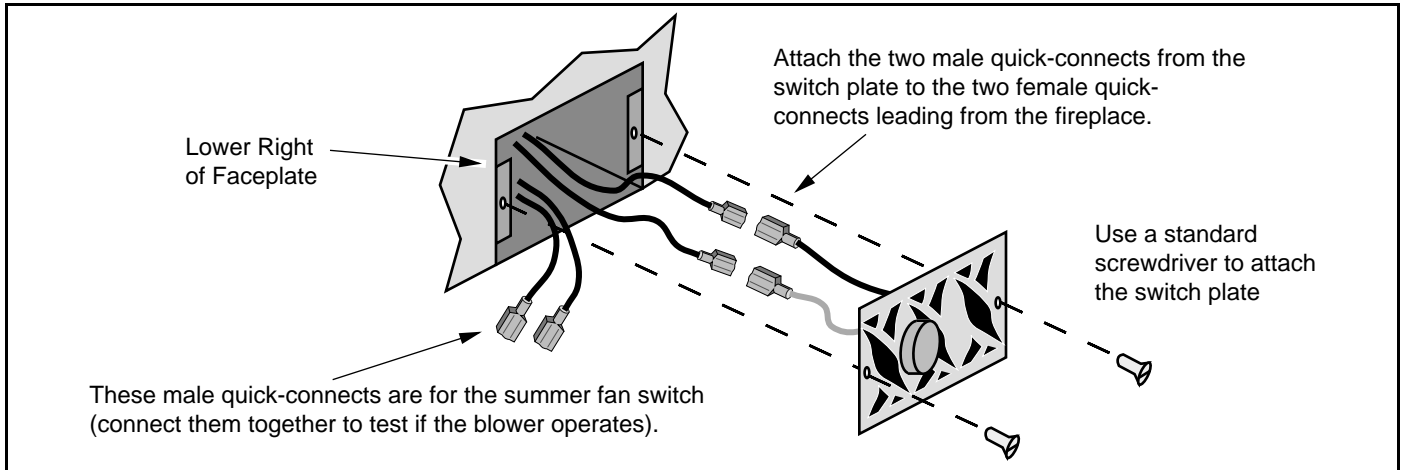
- 5 Make sure the insulation between the firebox and fireplace can is still in place



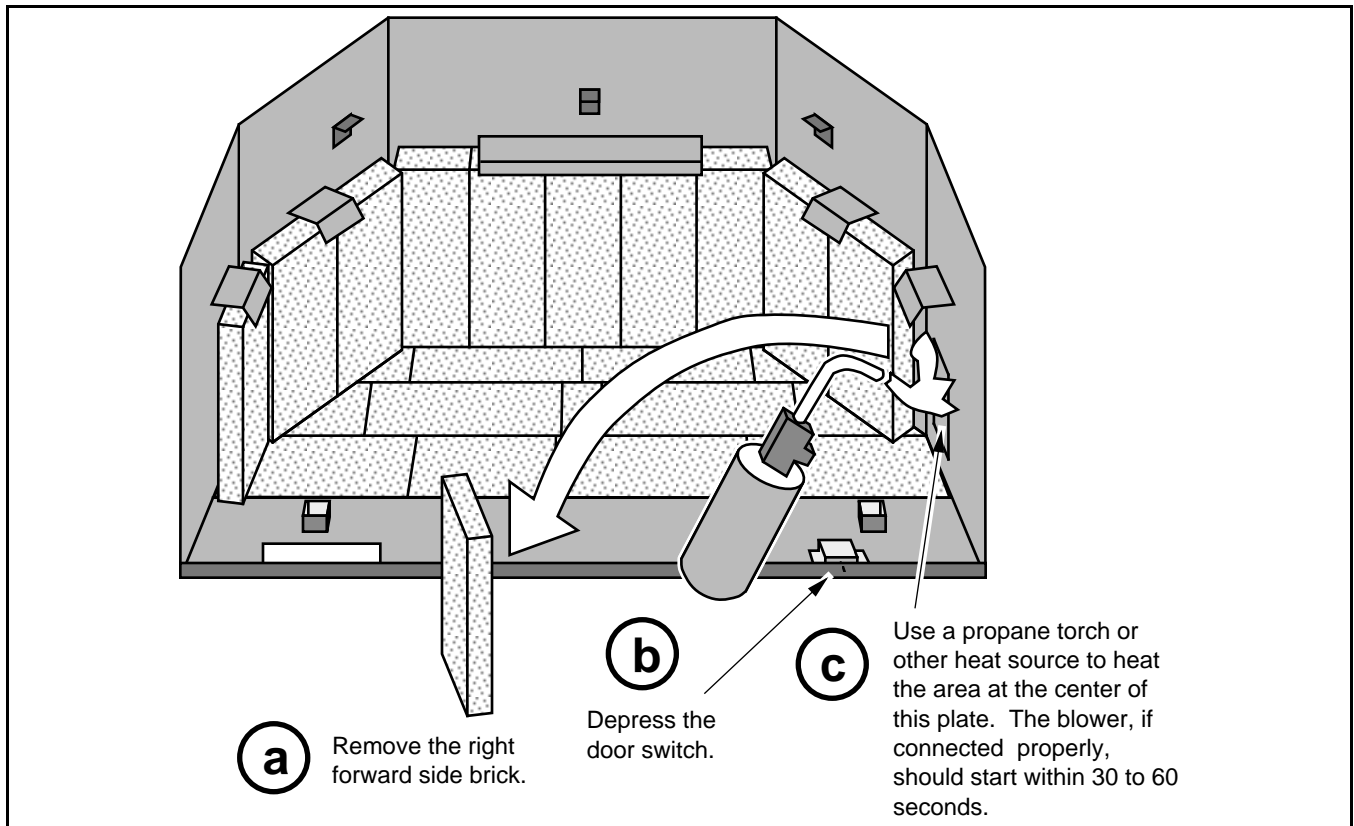
- 6 If installing a catalyst temperature meter, do so now (see the instructions included with the temperature meter).
- 7 The faceplate is packaged with the faceplate attachment screws. Use a phillips screwdriver to attach the faceplate.
- NOTE:** do not pinch any of the wires in the lower right between the faceplate and the fireplace.



- 8 Attach the two male quick-connects from the switch plate to the two female quick-connects leading from the fireplace. If the optional summer fan switch is being used, connect the other two quick connects, otherwise tuck the two male quick-connects leading from the fireplace into the cavity behind the faceplate. Attach the switch plate to the faceplate using a standard screwdriver (NOTE: the attachment screws are threaded into the faceplate).
- + Blower operation may be checked by jumping the two male quick-connects leading from the fireplace (BE CAREFUL - THIS CIRCUIT IS ACTIVE). Make sure the door is closed.



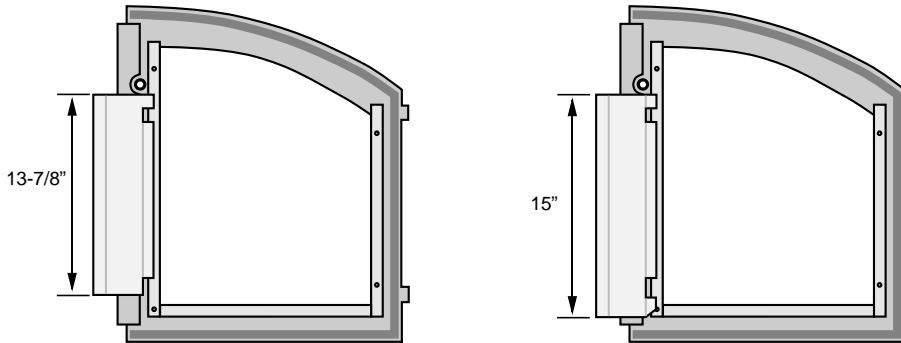
- 9 Test the blower circuit by following the directions below.



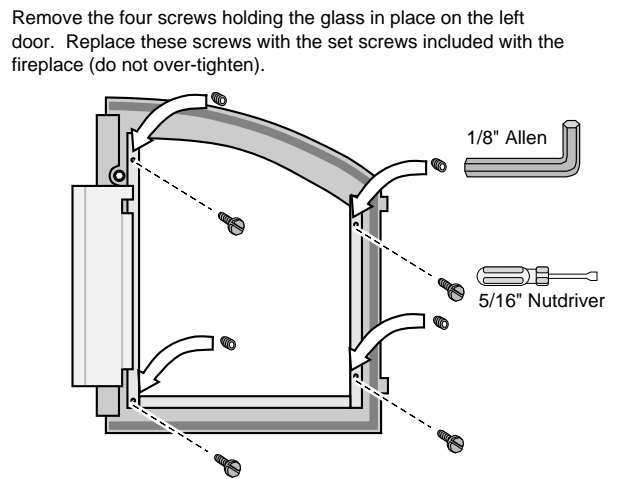
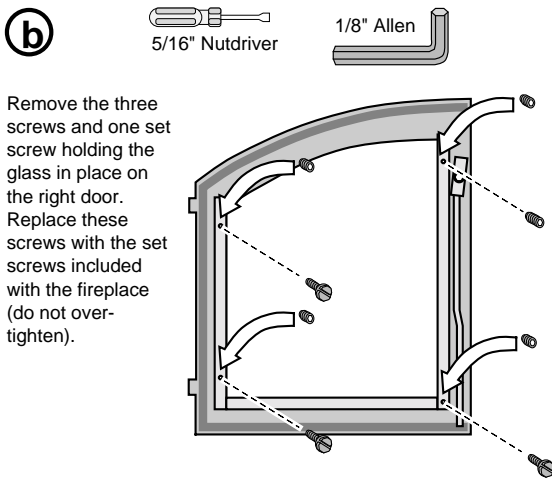
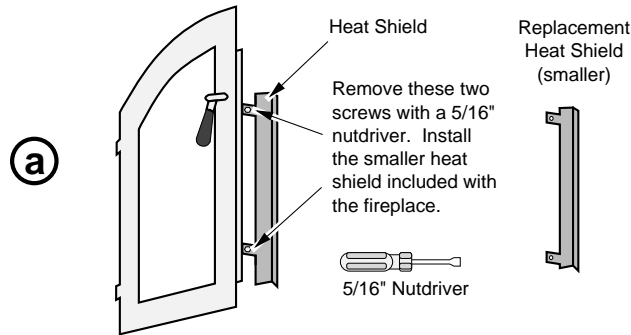
10 This fireplace will accept doors originally made for the earlier fireplace, the 44A. These doors are identical except for the heat shield and glass attachment screws. The illustration below shows how to identify doors and how to switch over 44A doors to fit the 44-Elite (if necessary).

44 Elite Door

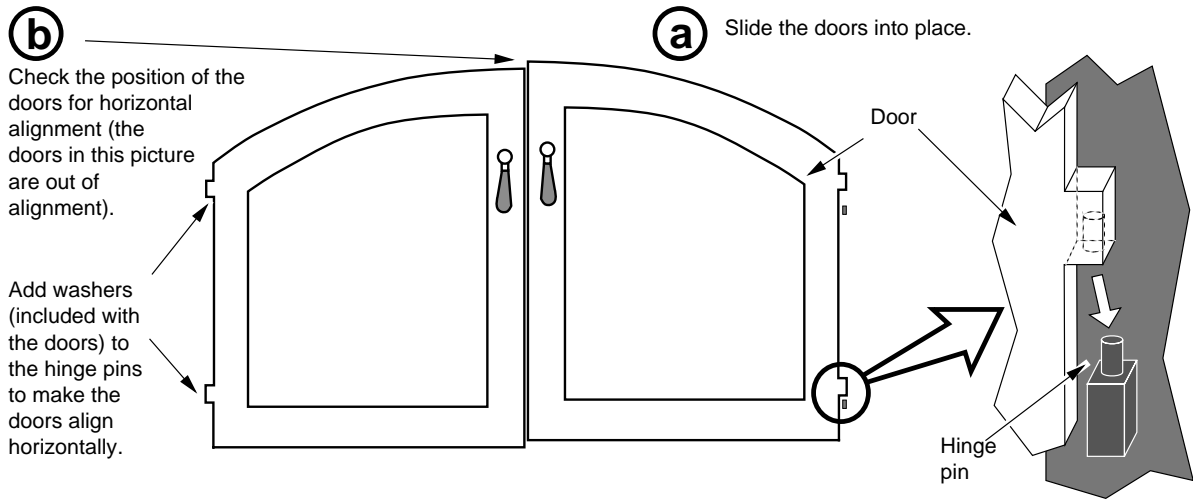
44-A Door



Instructions for Adapting 44-A Doors to Fit 44 Elite Fireplaces



11 Hang the doors on the fireplace and level them if necessary.

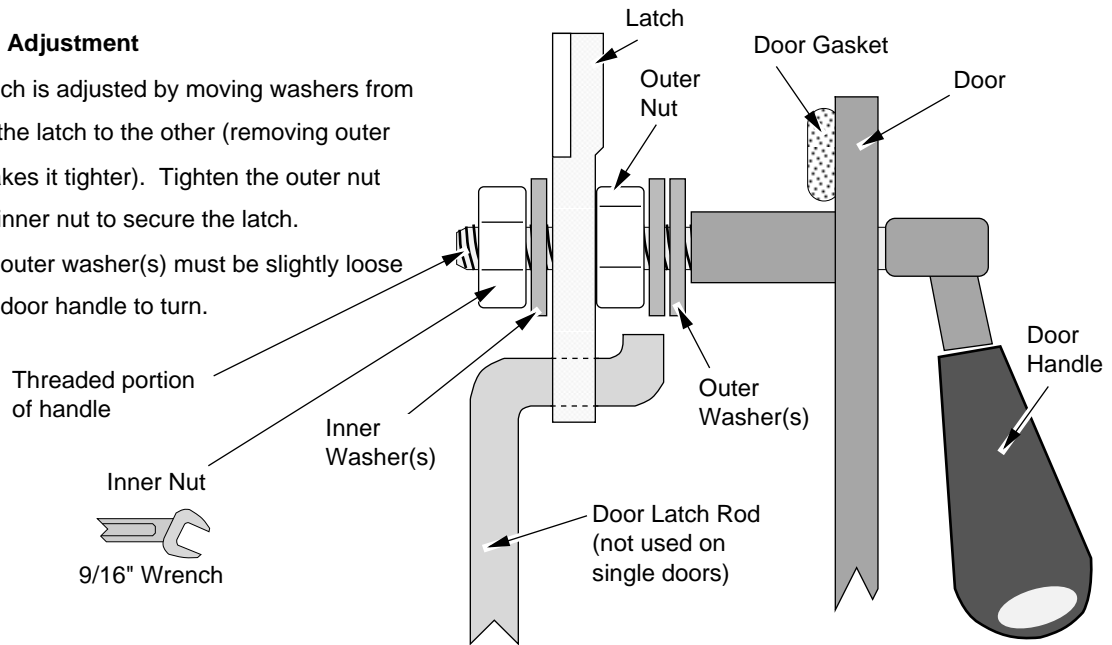


12 Adjust the door latch, if necessary to make a snug fit between the door gasket and the fireplace. Adjustments are made to the door latch by moving the washers from either side of the door latch and tightening the inner nut against the outer nut.


Door Latch Adjustment

The door latch is adjusted by moving washers from one side of the latch to the other (removing outer washers makes it tighter). Tighten the outer nut against the inner nut to secure the latch.

NOTE: The outer washer(s) must be slightly loose to allow the door handle to turn.



The listing label can be found on the base of the fireplace behind the faceplate.



Fireplace Xtraordinary

WH-

SERIAL NO. _____

MODEL NO. 44 ELITE


REPORT NO. 476-1483-00 (March 1998)

LISTED FACTORY BUILT FIREPLACE
TESTED TO: UL-127, UL-1482

INSTALL AND USE ONLY IN ACCORDANCE WITH THE MANUFACTURER'S INSTALLATION AND OWNER'S MANUAL. CONTACT LOCAL BUILDING OR FIRE OFFICIALS ABOUT RESTRICTIONS AND INSTALLATION INSPECTION IN YOUR AREA. DO NOT CONNECT THIS UNIT TO A CHIMNEY SERVING ANOTHER APPLIANCE.

MANUFACTURE DATE:

■ 2002	■ Jan.	■ Apr.	■ Jul.	■ Oct.
■ 2003	■ Feb.	■ May	■ Aug.	■ Nov.
■ 2004	■ Mar.	■ Jun.	■ Sep.	■ Dec.

MADE IN THE U.S.A. BY:

Travis Industries, Inc.
 10850 117th Pt. N.E. Kirkland, WA 98033

COMPONENTS REQUIRED FOR INSTALLATION:

- TWO COOLING AIR DUCTS (see installation manual)
- ONE OF THE FOLLOWING LISTED FIREPLACE CHIMNEY SYSTEMS (complete with components as specified in the installation manual):
 - SUPERIOR MODEL TF-8
 - TESCO MODEL 8S SERIES
 - CONVECTION FAN SYSTEM (see installation manual)

CHIMNEY REQUIREMENTS (see installation manual):

MINIMUM CHIMNEY HEIGHT	15 ft (4,565 mm)
MINIMUM CHIMNEY HEIGHT	35 ft (10,650 mm)
MAXIMUM OFFSET LENGTH WITH 1 OFFSET IN CHIMNEY	8 ft (2,435 mm)
MAXIMUM OFFSET LENGTH WITH 2 OFFSETS IN CHIMNEY	8 ft (2,435 mm)
MAXIMUM NUMBER OF ELBOWS	4

WARNING:

- Operate with feed doors closed. Open to feed fire only.
- For use with coal, wood only.
- Do not use with gas or kerosene.
- Replace ashes in an airtight non-combustible container.
- Replace glass with 5 mm Neoceram.

MINIMUM CLEARANCES TO COMBUSTIBLES:

SIDES AND BACK	0" (0 mm)	TO STAND-OFFS
HEADER	0" (0 mm)	TO STAND-OFFS
CHIMNEY	2" (50 mm)	TO CEILING AND ABOVE
		IN AREA ABOVE FIREPLACE. MAINTAIN 5" (126 mm) TO BACK, 4 1/2" (115 mm) TO FRONT AND 18-1/2" (470 mm) CLEARANCE TO SIDES OF VERTICAL CHIMNEY.
MANTEL	2" (50 mm)	TO EDGE OF FACEPLATE
TOP-FACING	2" (50 mm)	TO EDGE OF FACEPLATE
ADJACENT SIDEWALL	18" (460 mm)	TO EDGE OF FACEPLATE

U.S. ENVIRONMENTAL PROTECTION AGENCY
 Certified to comply with July, 1990 particulate emission standards.

This wood heater contains a catalytic combustor which needs periodic inspection and replacement for proper operation. Consult the owner's manual for further information. It is the responsibility of the user to inspect the catalytic element and replace it according to instructions in the owner's manual or if the catalytic element is deactivated or removed.

DO NOT REMOVE THIS LABEL.

0316 (GSN)

Acid Wash	16	Firestops	14
Baffle Placement	16	FMI Chimney	11
Blower	9	Framing Dimensions	3
Blower Duct Connection	9	Grate Placement	16
Blower Electrical Connection	10	Header (see framing dimensions)	3
Blower Housing	10	Hearth Requirements	7
BTU Output	1	Heat Shield (switching old to new style)	19
Chimney	11	Heating Specifications	1
Chimney Cap (see Chimney Termination)	15	Installation Options:	1
Chimney Clearances	14	Installation Preparation	2
Chimney Connection to Fireplace	11	Insulation	17
Chimney Height	12	Latch Adjustment	20
Chimney Termination Requirements	15	Lifting Handles	3
Chimneys Part Numbers	11	Listing Label	21
Clearances	4	Log Retainer	16
Cooling Vents	8	Mantel Requirements	7
Corner Installation	4	Marco Chimney	11
Dimensions	1	Offsets	13
Door Adjustment	19	Packing List	2
Door Latch (determining correct door latch)	18	Raised Fireplaces	5
Door Latch Adjustment	20	Roof Framing	15
Door Switch (see illustration under step #4)	16	Safety Label	21
Ember Strip	4	Serial # Plate (see illustration under step #4)	16
Faceplate Installation	17	Stand-offs (see dimensions illustration)	1
Facing Requirements	5	Superior Chimney	11
Features:	1	Switch Plate Installation	18
Finalizing the Installation	16	Symbols Used in this Manual	Inside Cover
Firebrick Placement	16	Temco Chimney	11
Fireplace Placement Requirements	3		