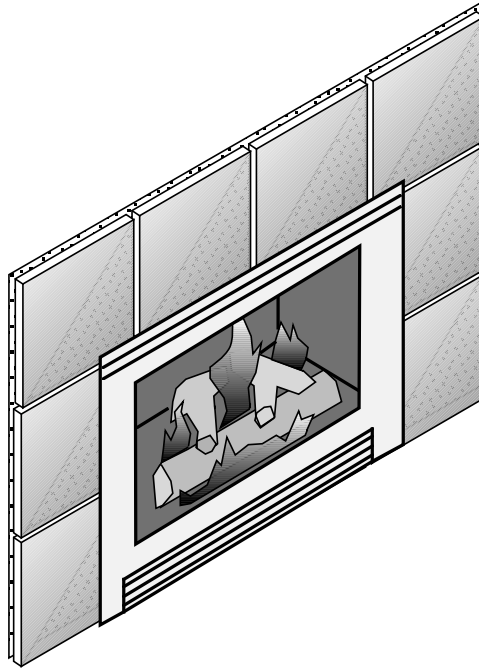




Travis Industries

Advancing the Art of Fire



Featuring the



Burner

Tested and Listed by



OMNI-Test Laboratories, Inc.
Beaverton, Oregon
Report # 028-S-16B-5
ANSI Z21.88

- Built-In Direct Vent Fireplace
- Natural Gas or Propane
- Residential or Mobile Home

WARNING: If the information in these instructions is not followed exactly, a fire or explosion may result causing property damage, personal injury or loss of life.

- Do not store or use gasoline or other flammable vapors and liquids in the vicinity of this or any other appliance.

WHAT TO DO IF YOU SMELL GAS

- Do not try to light any appliance.
- Do not touch any electrical switch; do not use any phone in your building.
- Immediately call gas supplier from a neighbor's phone. Follow the gas supplier's instructions.
- If you cannot reach your gas supplier, call the fire department.
- Installation and service must be performed by a qualified installer, service agency or the gas supplier.

This appliance may be installed as an OEM installation in a manufactured (mobile) home and must be installed in accordance with the manufacturer's instructions and the manufactured home construction and safety standard, Title 24 CFR, Part 3280.

This appliance is only for use with the type(s) of gas indicated on the rating plate. A conversion kit is supplied with the appliance.

DVS Fireplace EF

Installer: After installation give this manual to the homeowner and explain operation of this fireplace.

\$10.00 © Copyright 2003, T.I. Part # 100-01152
4031009



Travis Industries, Inc.
10850 117th Place N.E. Kirkland, WA 98033

Introduction

Introduction & Important Information.....2

Safety Precautions

Safety Precautions4

Features & Specifications

Features6
 Installation Options.....6
 Heating Specifications.....6
 Dimensions.....6

Installation

Installation Warning.....7
 Packing List.....7
 Additional Items Required for Installation.....7
 Installation Overview.....7
 Fireplace Placement Requirements.....8
 Minimum Framing Dimensions8
 Clearances8
 Corner Installations9
 Raised Fireplaces.....9
 Hearth Requirements.....10
 Facing Requirements.....11
 Facing Over 1" Thick.....11
 Facing Detail.....12
 Face Dimensions13
 Modifying the Face Angle.....14
 Facing & Hearth Examples.....15
 Mantel Requirements.....16
 Vent Requirements.....17
 Altitude Considerations17
 Clearances17
 Use of 8" Dia. Pipe.....17
 Vent Installation.....17
 Approved Vent Configurations.....18
 Restrictor Position.....18
 Measuring Vent Lengths.....18
 Vertical Terminations (with/ without offsets)..19
 Horizontal Terminations.....20
 Vertical Terminations (with 2 90° Elbows).....21
 Vent Termination Requirements22
 Gas Line Requirements.....23
 Fuel.....23
 Gas Line Connection.....23
 Gas Inlet Pressure23
 Electrical Connection.....24

Finalizing the Installation

1 Glass Removal (& installation).....25
 2 Log & Coal Installation26
 3 Purge Gas Line and Replace the Glass27
 4 Faceplate Installation.....27
 5 Leak Test.....27
 6 Pilot Adjustment (if necessary).....27
 7 Air Shutter Adjustment (if necessary)27
 8 Check Flame.....28
 9 Explain Operation to Home-Owner.....28

Operation

Before You Begin.....29
 Location of Controls29
 Starting The Pilot30
 Starting the Fireplace for the First Time.....31
 Turning the Fireplace On and Off.....31
 Adjusting the Flame Height.....31
 Adjusting the Blower Speed.....32
 Normal Operating Sounds.....32
 Normal Operating Odors.....32

Maintenance

Yearly Service Procedure.....33
 Troubleshooting Table.....34
 How this Fireplace Works.....35
 What Turns the Main Burners On and Off.....35
 What Prevents Gas Buildup.....35
 Wiring Diagram36
 Replacement Parts List.....36

Safety Label

Safety (Listing) Label.....37

Warranty

Warranty.....38

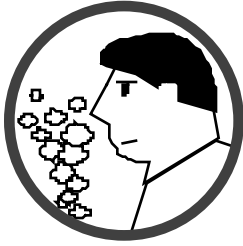
Optional Equipment

LP Conversion Kit39

Index

Index.....42

Safety Precautions



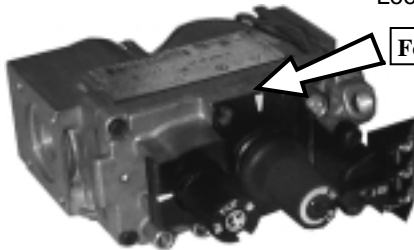
IF YOU SMELL GAS:

- Do not light any appliance**
- Extinguish any open flame**
- Do not touch any electrical switch or plug or unplug anything**
- Open windows and vacate building**
- Call gas supplier from neighbor's house, if not reached, call fire department**



This unit must be installed by a qualified installer to prevent the possibility of an explosion. Your dealer will know the requirements in your area and can inform you of those people considered qualified. The room heater should be inspected and cleaned before use and at least annually by a qualified service person. More frequent cleaning may be required due to excessive lint from carpeting, bedding material, etc.

The instructions in this manual must be strictly adhered to. Do not use makeshift methods or compromise in the installation. Improper installation will void the warranty and safety listing.



Look for this label:

For LPG only | Pout 11" W.C.

If the label is present, the heater is equipped for LP (propane). If the label is absent, the heater is equipped for NG (natural gas).

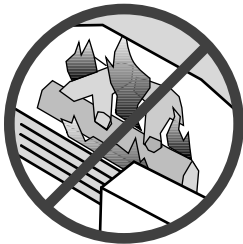
This heater is either approved for natural gas (NG) or propane (LP). Burning the incorrect fuel will void the warranty and safety listing and may cause an extreme safety hazard. Direct questions about the type of fuel used to your dealer. Check the label flame adjust knob on the gas control valve.



Contact your local building officials to obtain a permit and information on installation restrictions or inspection requirements in your area. Notify your insurance company of this heater.



If the flame becomes sooty, dark in color, or extremely tall, do not operate the heater. Call your dealer and arrange for proper servicing.



It is imperative that control compartments, screens, or circulation passageways of the heater be kept and free of obstructions. These provide the air necessary for safe operation.



Do not operate the heater if it is not operating properly in any fashion or if you are uncertain. Call your dealer for a full explanation of your heater and for proper operation.



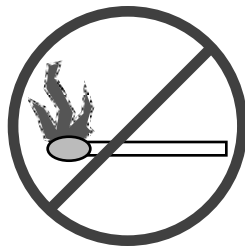
Do not store or use gasoline or other flammable liquids in the vicinity of the heater.



Do not operate if any portion of the heater was submerged in water or if any corrosion occurs. Immediately call a qualified technician to inspect the appliance and replace any part of the control system if the gas control wash has been under



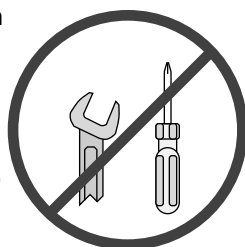
Do not place clothing or other flammable items on or near the heater. Because this heater can be controlled by a thermostat there is a possibility of heater turning on and igniting any placed on or near it.



Light the heater using the built-in igniter. Do not use matches or an external device to light your heater. Never remove, replace, modify or substitute any part of the heater unless instructions are given in this



The viewing glass should be open only for lighting the pilot or condenser service. Do not operate with cracked, broken, or removed glass.



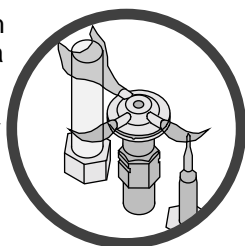
Any safety screen or guard removed for servicing must be replaced prior to operating the heater.

manual. All other work must be done by a trained technician. Don't modify or replace orifices.

Allow the heater to cool before carrying out any maintenance or cleaning.



Operate the heater according to the instructions included in this manual. If the main burners do not start correctly, turn the gas off at the gas control valve and call your dealer for service.



The pilot flame must contact the thermopile and thermocouple (see illustration to the left). If it does not, turn the gas control valve to "OFF" and call your dealer.



This unit is not for use with solid fuel. Do not place anything inside the fireplace (except the included fiber logs). If the fiber logs become damaged, replace with Travis Industries logs.



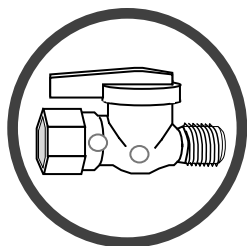
Do not throw this manual away. This manual has important operating and maintenance instructions that you need at a later time. Always follow the instructions in this manual.



Do not touch the hot surfaces of the heater. Educate all children of the danger of a high-temperature heater. Young children should be supervised when they are in the same room as a heater.



Keep all furniture or other combustible items at least 36" away from the front of the fireplace (this includes drapes and doors that may swing within 36" of front of the fireplace).



Instruct everyone in the house how to shut gas off to the appliance and the gas main shutoff valve. The gas main shutoff valve is usually next to the meter or propane tank and requires a wrench to shut off.



Travis Industries, Inc. grants a warranty, implied or stated, on the installation or maintenance of your heater, and assumes no responsibility for any consequential damage(s).

Features and Specifications

Features:

- Works During Power Outages (millivolt system)
- High Efficiency
- Optional Thermostat or Remote Control
- Realistic "Wood Fire" Look
- Quiet Blower for Effective Heat Distribution
- Convenient Operating Controls
- Variable-Rate Heat Output
- Low Maintenance

Installation Options:

- Residential or Mobile Home
- Straight or Corner Placement
- Flush or Recessed Face
- Raised or Floor Hearth
- Internal or External Chase
- Horizontal or Vertical Vent
- Bedroom Approved

Heating Specifications:

Approximate Heating Capacity (in square feet)*
 BTU Input Per Hour (from high to low)
 Steady State Efficiency** (with blowers on)
 AFUE (Annual Fuel Utilization Efficiency)

* Heating capacity will vary with floor plan, insulation, and outside temperature.

** Efficiency rating is a product thermal efficiency rating determined under continuous operation independent of installed system.

Natural Gas

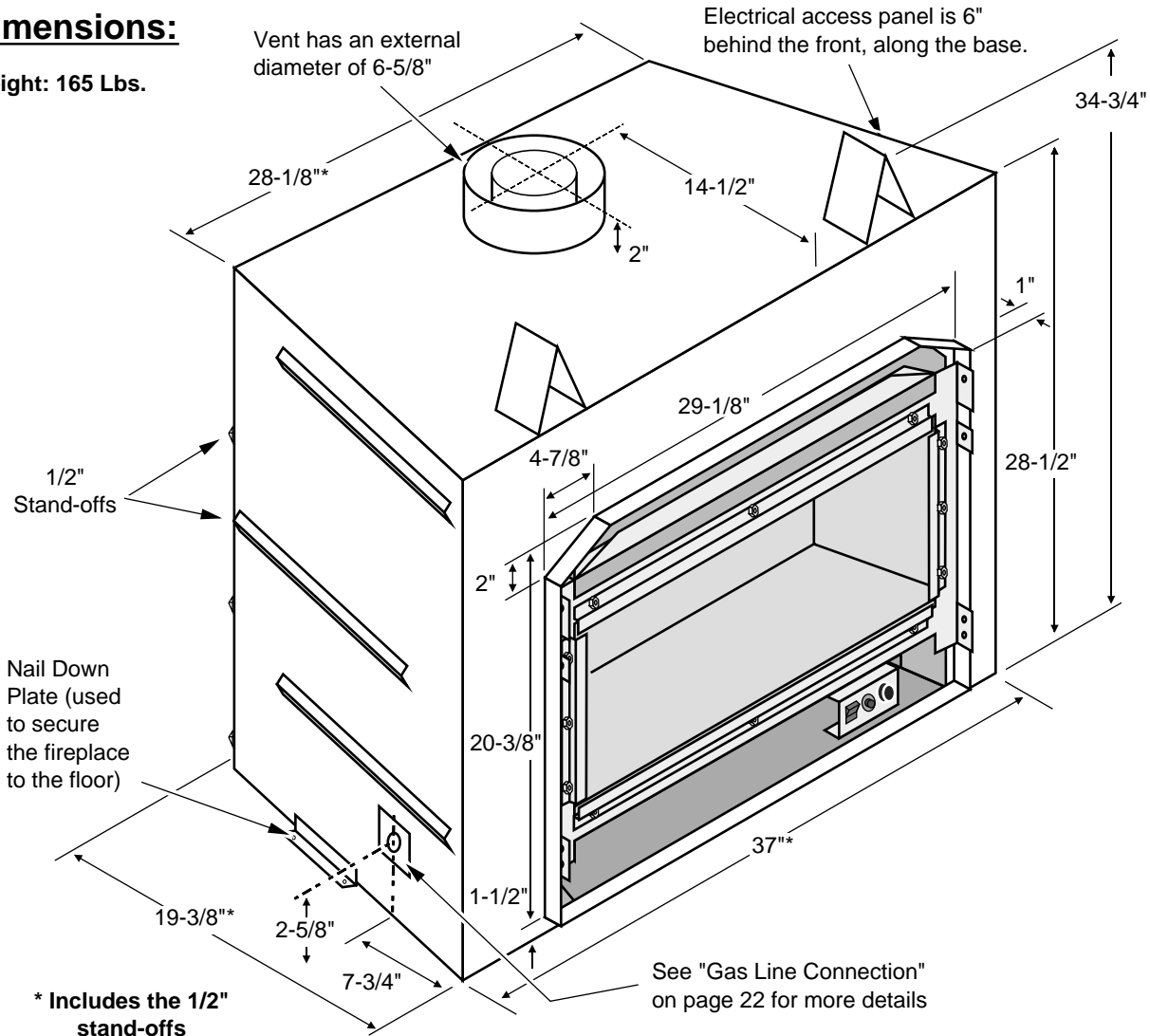
500 to 1,500
 31,000 – 18,600
 Up to 80%
 71.3%

Propane

500 to 1,500
 31,000 - 16,000
 Up to 80.5%
 71.8%

Dimensions:

Weight: 165 Lbs.



Installation Warnings:

- Failure to follow all of the requirements may result in property damage, bodily injury, or even death.
- This heater must be installed by a qualified installer who has gone through a training program for the installation of direct vent gas appliances.
- This appliance must be installed in accordance with all local codes, if any; if not, follow ANSI Z223.1 and NFPA 54(88).
- In Manufactured or Mobile Homes must conform with Manufactured Home Construction and Safety Standard, Title 24 CFR, Part 3280, or, when such a standard is not applicable, the Standard for Manufactured Home Installations, ANSI/NCSCS A225.1. This appliance may be installed in Manufactured Housing only after the home is site located.
- The fireplace is designed to operate on natural gas, or propane (LP).
- All exhaust gases must be vented outside the structure of the living-area. Combustion air is drawn from outside the living-area structure.
- Notify your insurance company before hooking up this fireplace.
- The requirements listed below are divided into sections. All requirements must be met simultaneously. The order of installation is not rigid – the qualified installer should follow the procedure best suited for the installation.

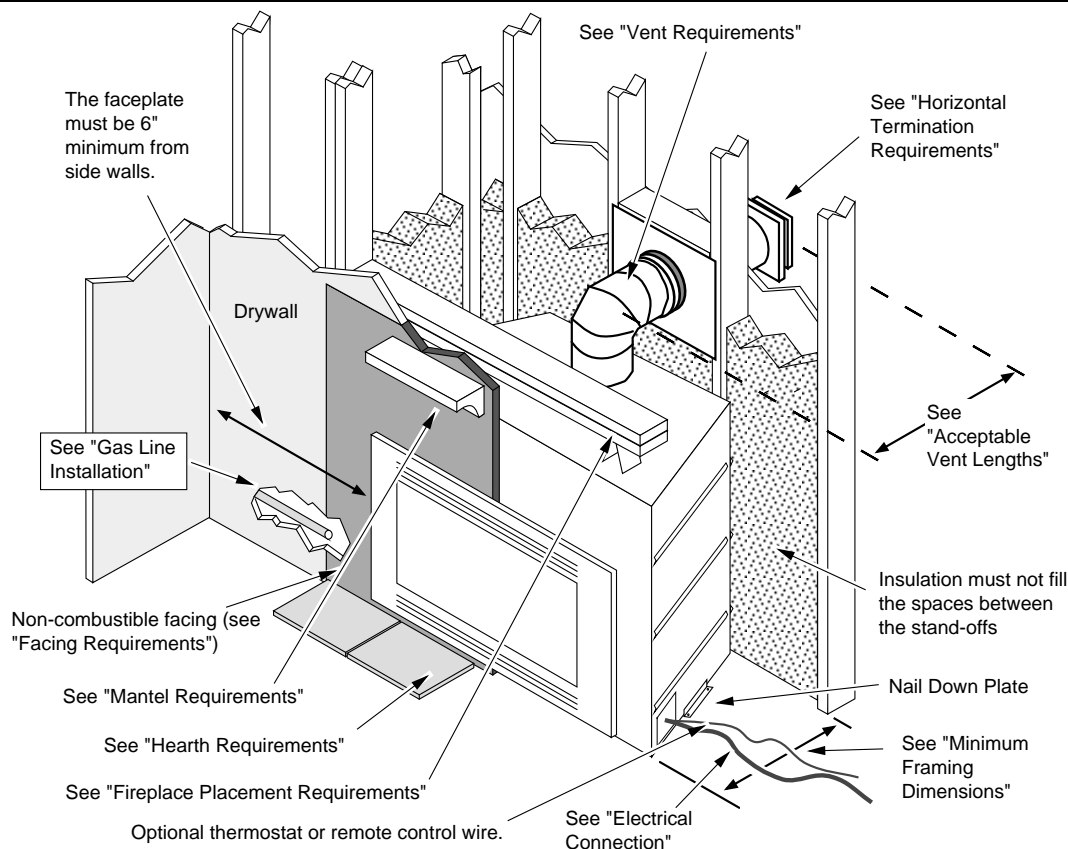
Packing List

- Propane Conversion Kit
- Log Set (3 Logs, 2 Twigs, Bag of Coals, Coal Trays)
- Restrictor Adjuster Rod
- Flex Tube with Pipe Adapter

Additional Items Required

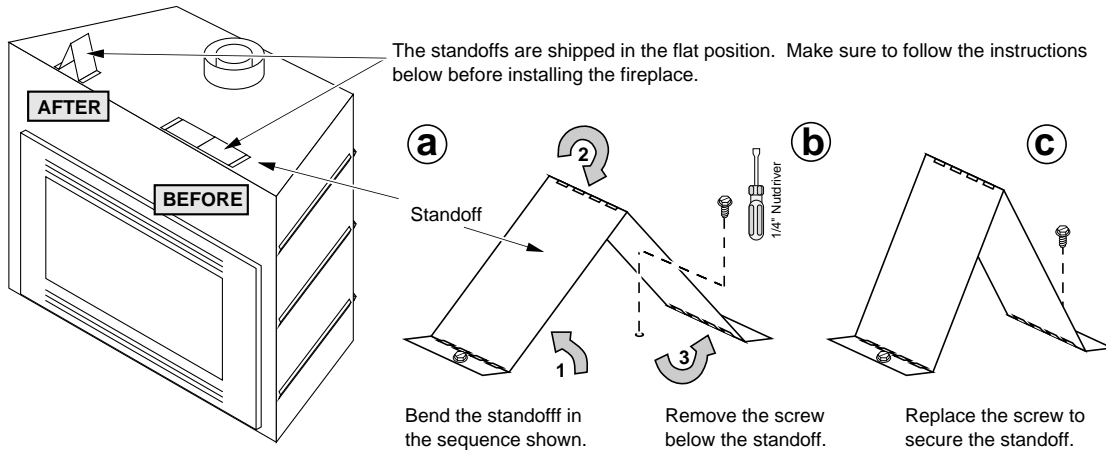
- Faceplate
- Direct Vent (Simpson Dura-Vent Ph. # 800 835-4429)
- Gas Line Equipment (shutoff valve, pipe, etc.)
- Electrical Equipment

Installation Overview



Fireplace Placement Requirements

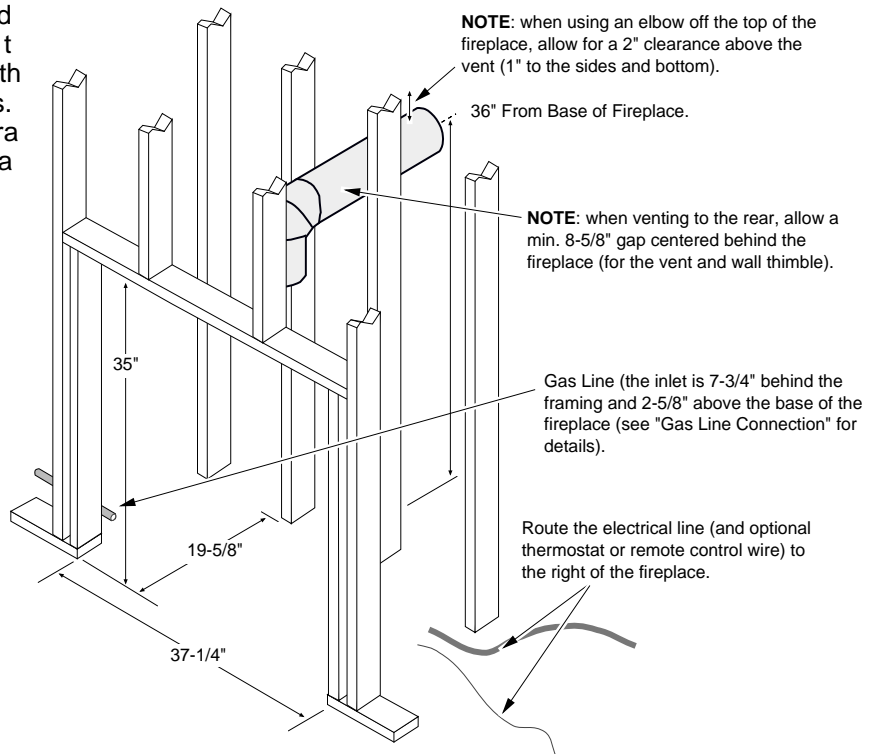
Setting Up the Standoffs



WARNING: Failure to set up the standoffs will result in an extreme fire hazard.

Minimum Framing Dimensions

- The 1/2" stand-offs on the back and 6-1/4" stand-offs on the top of the fireplace are designed to separate the fireplace from the framing members. These stand-offs may contact the framing members but no material may be placed between the stand-offs.
- Fireplace must be installed on a level surface capable of supporting the fireplace and vent
- Fireplace must be placed directly on wood or non-combustible surface (not on linoleum or carpet)
- Due to the high temperature of the fireplace, it should be located out of traffic and away from furniture and draperies.
- This heater may be placed in a bedroom. Please be aware of the large amount of heat this appliance produces when determining a location.

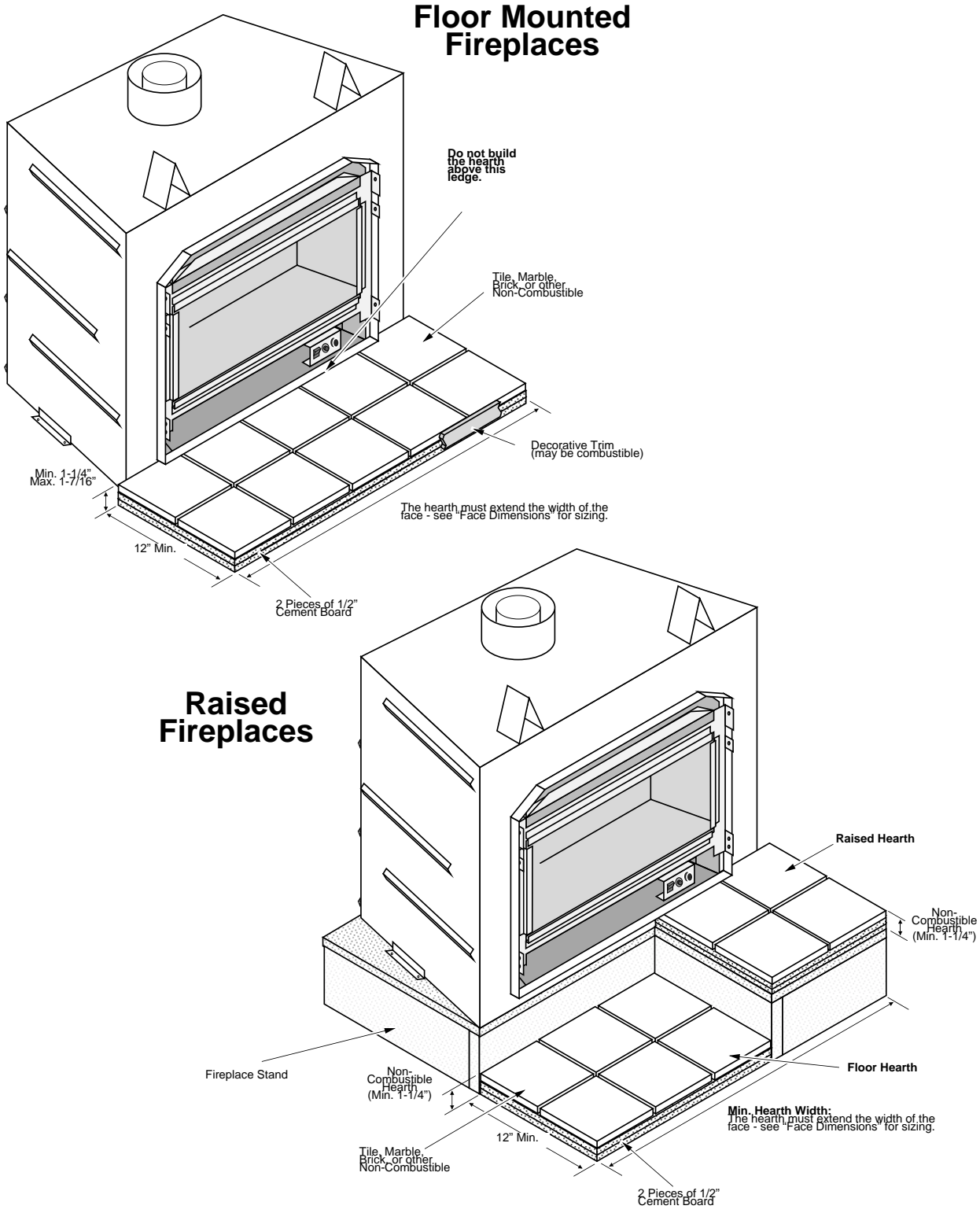


Clearances

- When installed, walls in front of the fireplace must be a minimum 6" to the side of the faceplate.
- Fireplace must be placed so that no combustibles are within, or can swing within 36" of the front of the fireplace (e.g. drapes, doors)
- Fireplace must be placed so the vents below and above the glass do not become blocked

10 Installation (for qualified installers only)

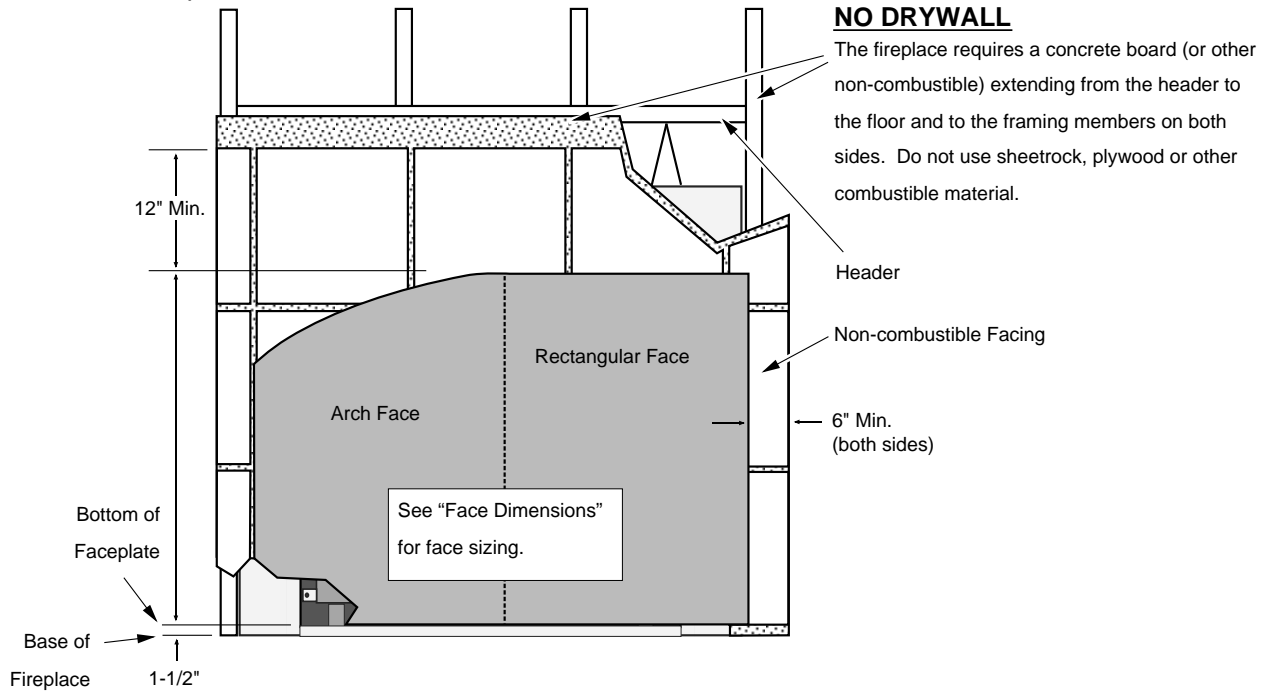
Hearth Requirements



Facing Requirements

NOTE: The combustible area above the facing must not protrude more than 3/4" from the facing. If it does, it is considered a mantel and must meet the mantel requirements listed in this manual.

NOTE: The facing may be attached to the front of the fireplace with screws. Do not penetrate the fireplace more than 3/4".



Facing Over 1" Thick

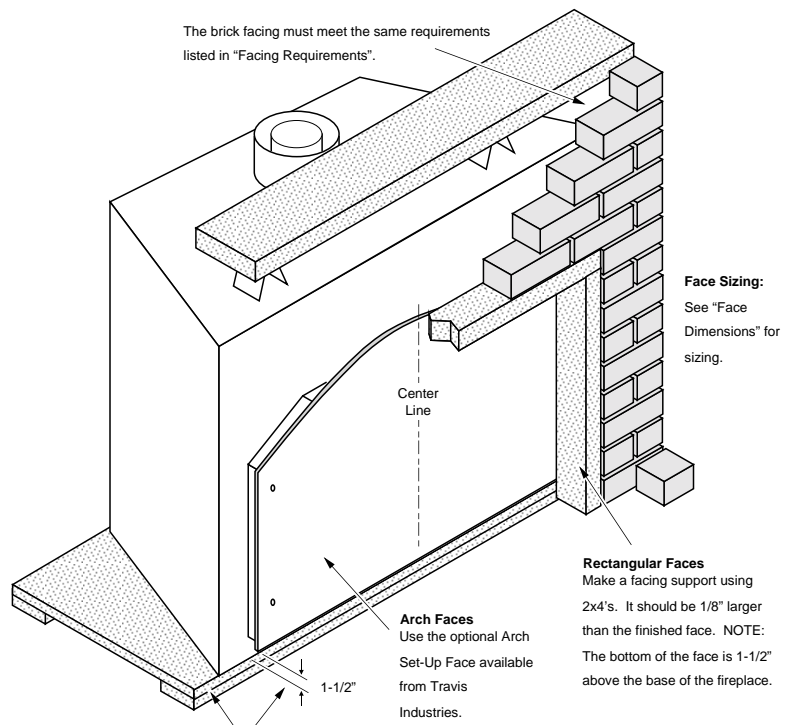
WARNING:

Faces that attach with latch-hooks (Avalon Rosario, Avalon Cambridge, Avalon Salish Bay, Avalon Rawhide, Lopi Discovery, Lopi Heritage Bay, FPX Architectural Faces (all styles), **require a 5/8" gap above the face** for face installation and removal.

- If the facing material is over 1" thick (e.g. brick, river rock), install the facing around the perimeter of the face. You may wish to make a facing support (see the illustration to the right). If using an arch face, you may wish to order the optional set-up face:

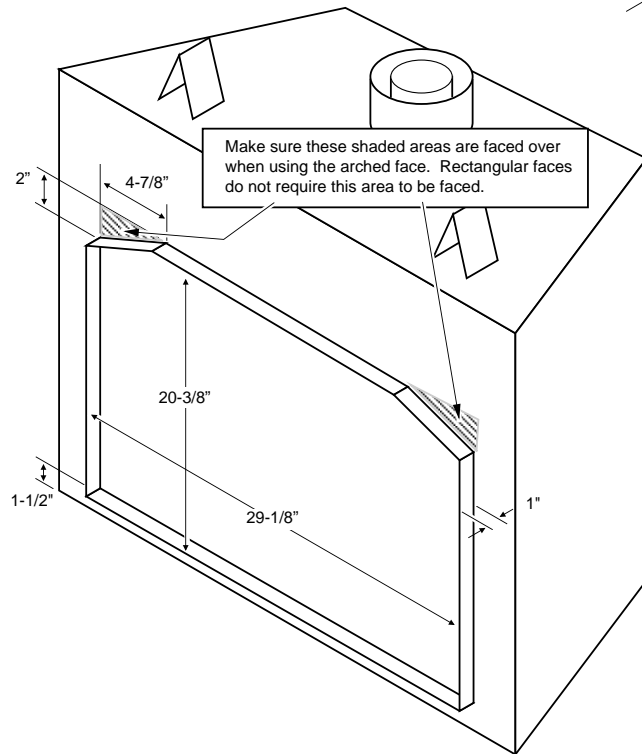
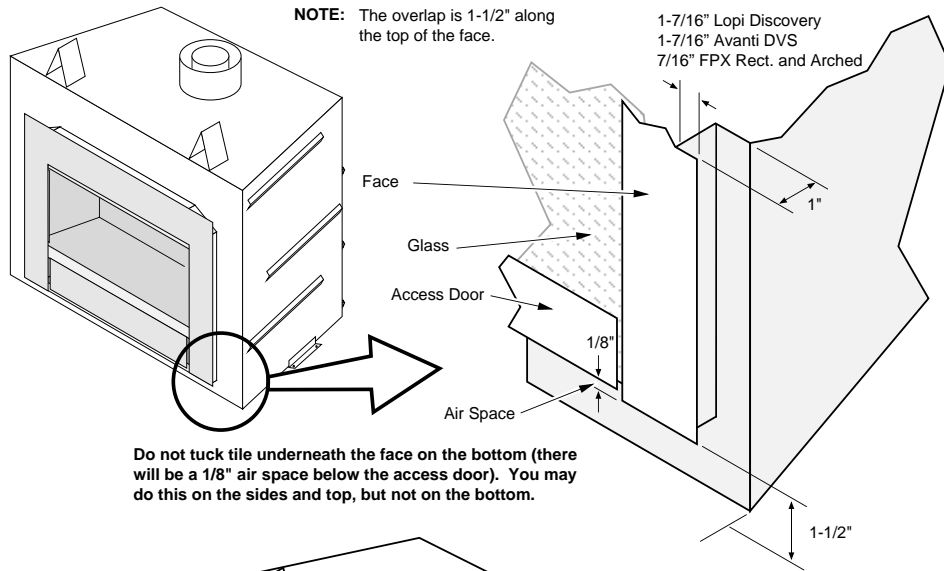
Arch Set-Up Face is available from Travis Industries (Part # 98500697)

- Artisan faces vary in size. Use the face being installed to create a template.

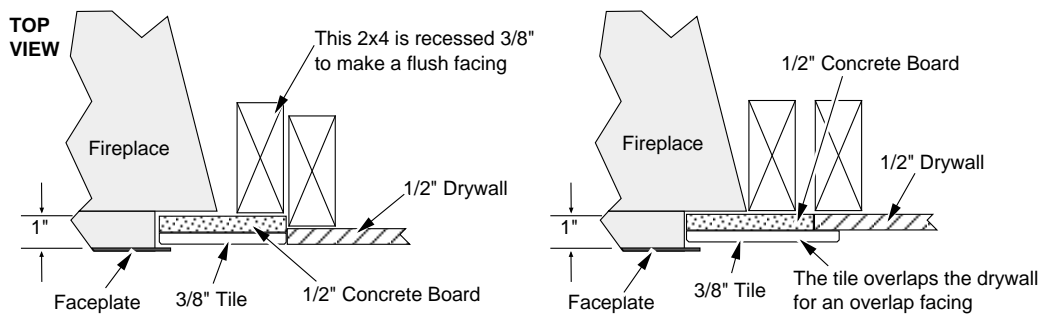


Note: if using a brick hearth, the fireplace will need to be raised to accommodate the 1-1/2" gap between the face and the base of the fireplace. For 2-1/2" thick brick this works out to approximately 1-1/8".

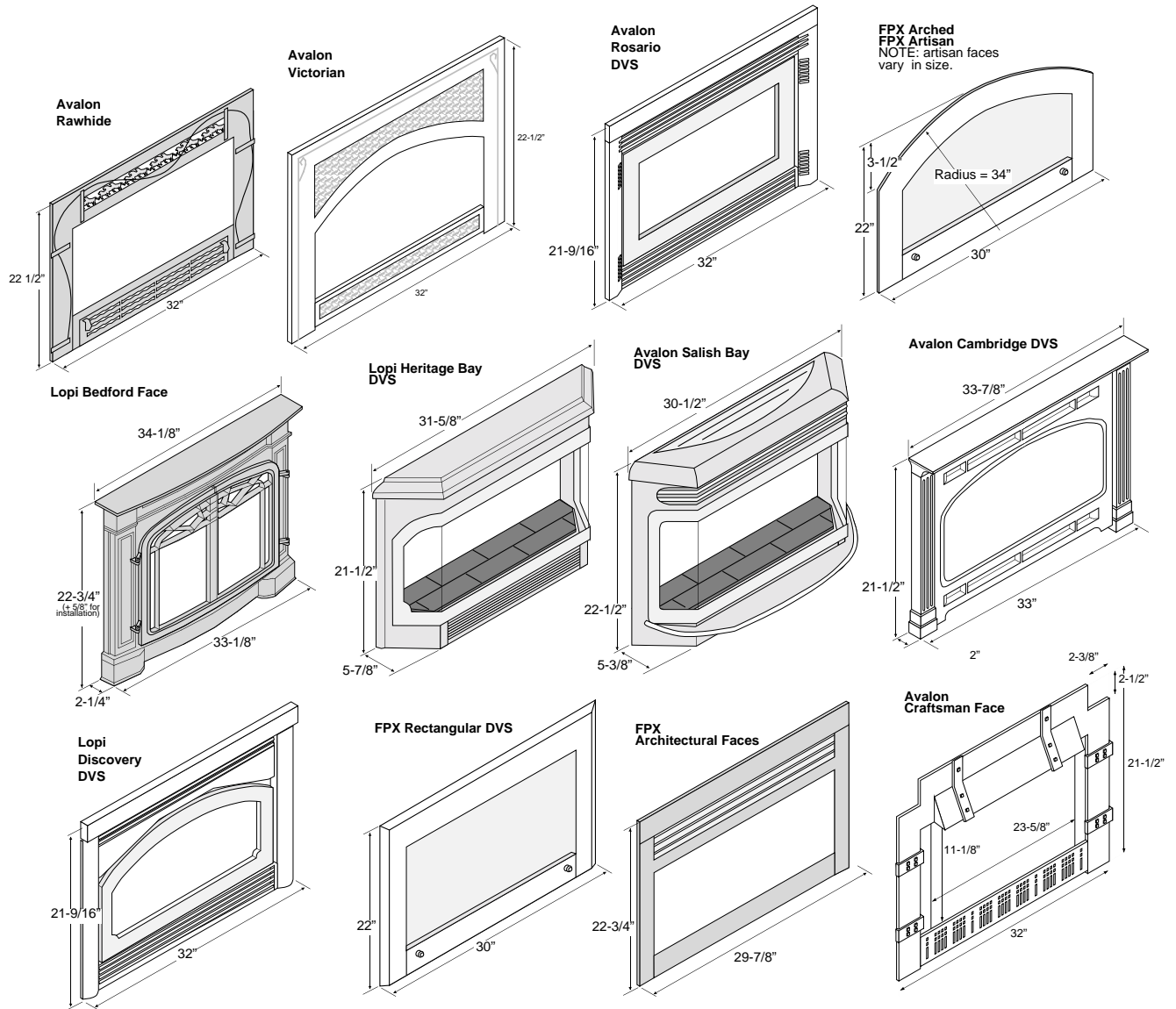
Facing Detail



- To achieve a facing that is flush with the drywall to the side of the fireplace, recess the framing directly next to the fireplace. See the illustration below.

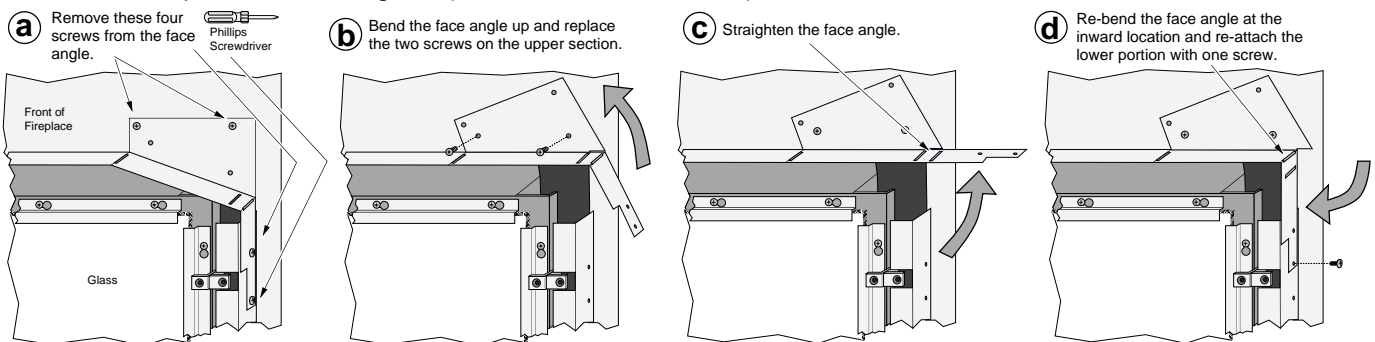


Face Dimensions



Modifying the Face Angle for Rectangular Faces

- If using a rectangular face (faces other than the Craftsman or FFX Arched), adjust the face angles at the top corners of the glass (see the illustration below).

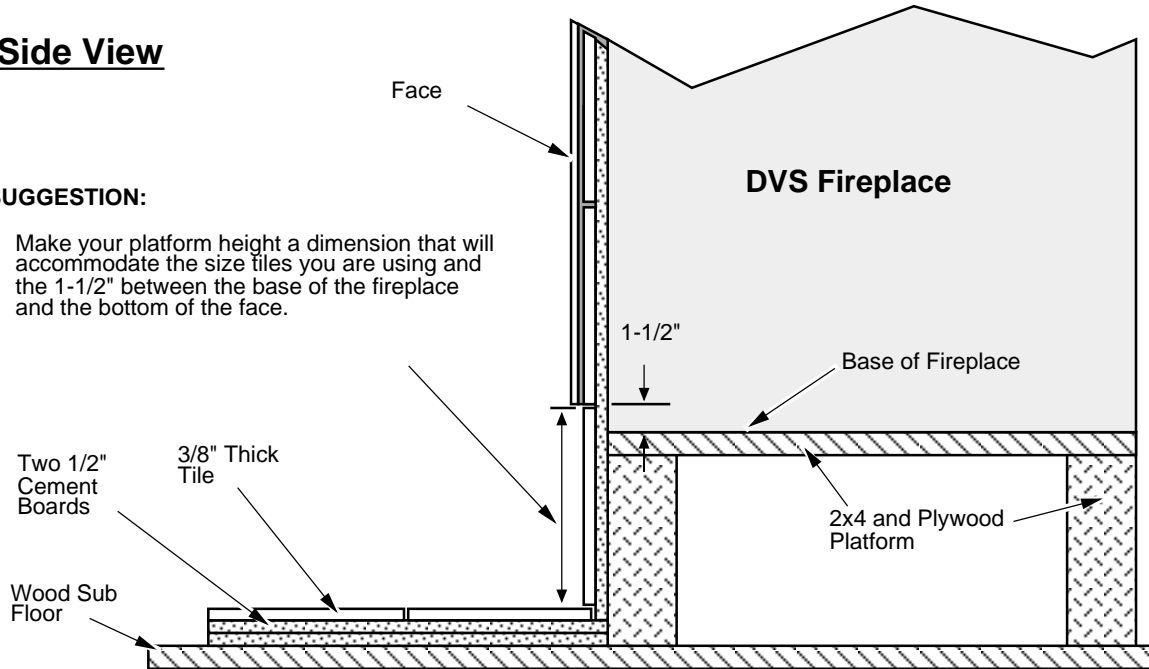


Facing and Hearth Examples

Side View

SUGGESTION:

Make your platform height a dimension that will accommodate the size tiles you are using and the 1-1/2" between the base of the fireplace and the bottom of the face.

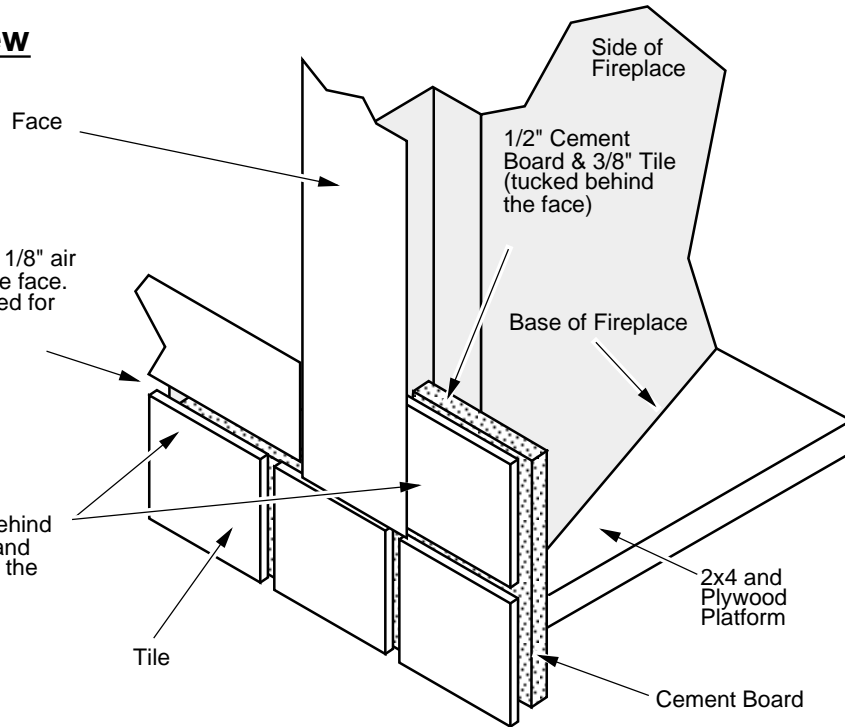


Three-Dimensional View

NOTE:

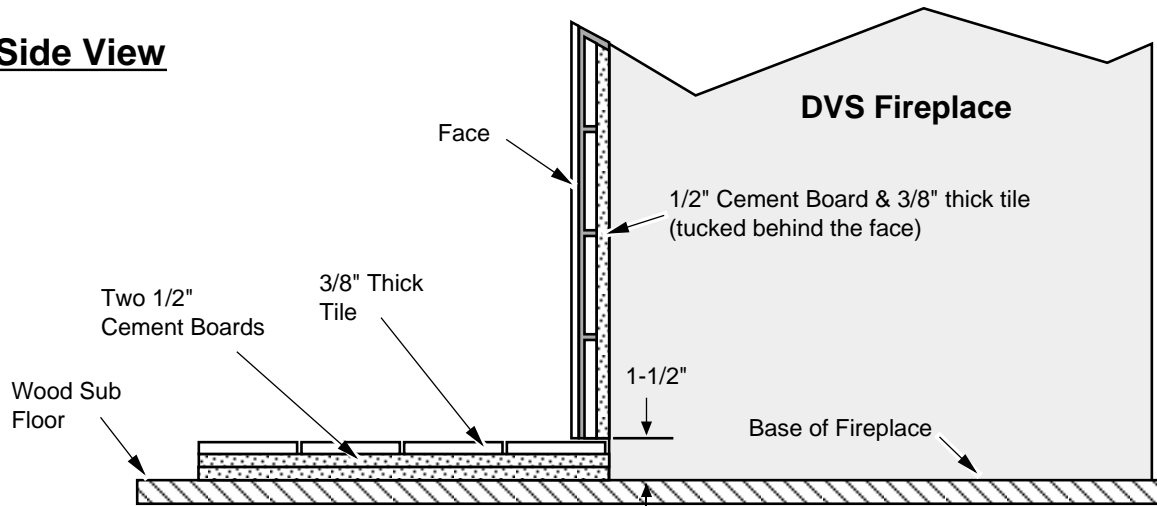
When fully installed, there will be a 1/8" air space below the access door on the face. Do not block this space (it is required for access door opening and air flow).

Note how the tile facing fits behind the face on the side and top and butts up to the set-up face on the bottom.



Facing and Hearth Examples (continued)

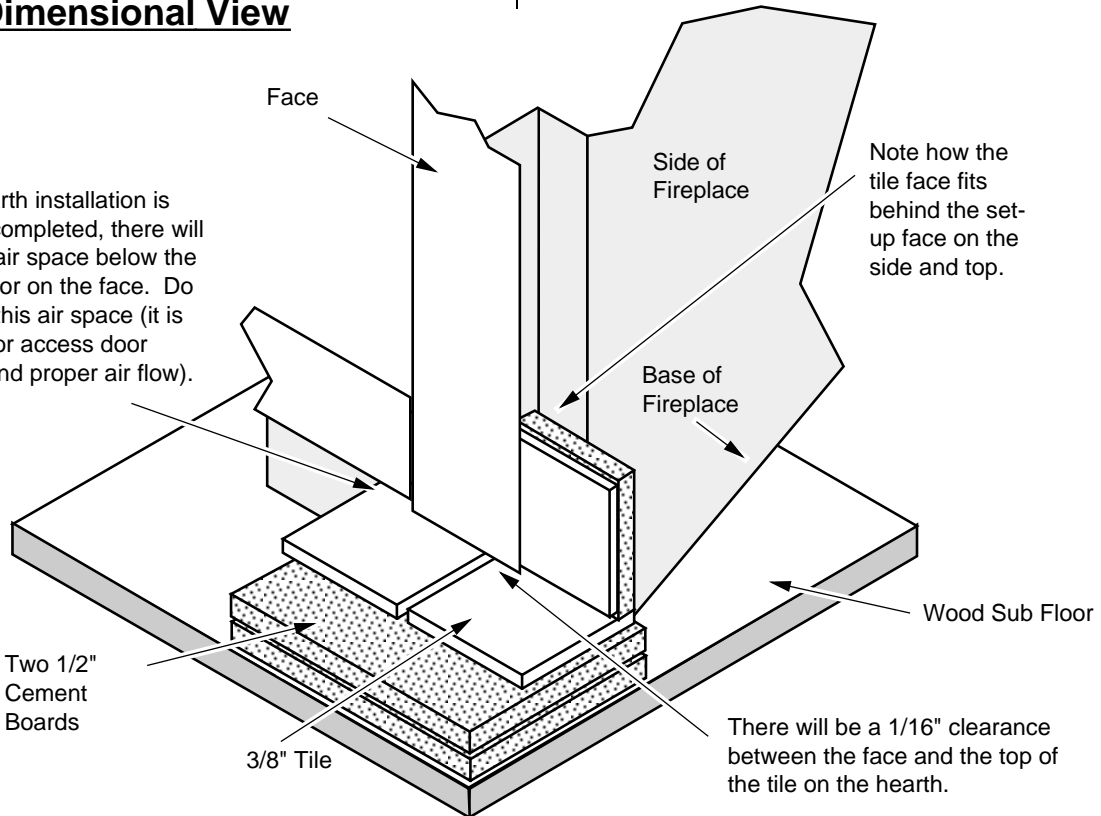
Side View



Three-Dimensional View

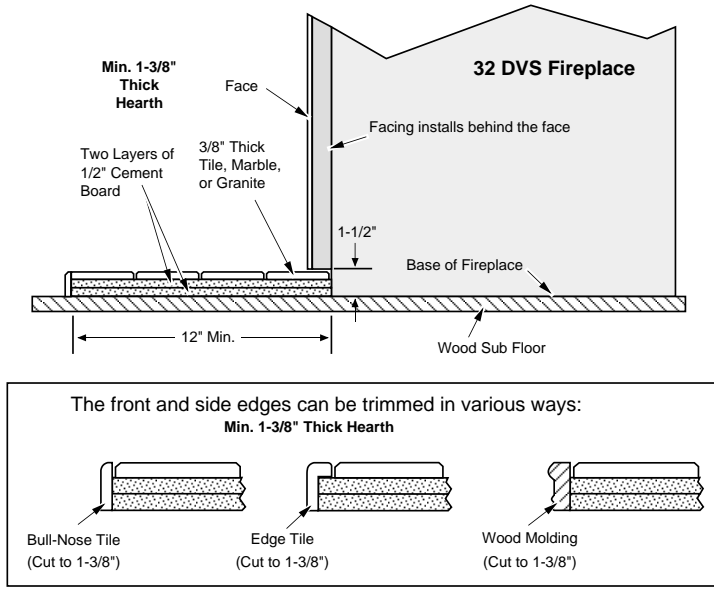
NOTE:

When hearth installation is correctly completed, there will be a 1/8" air space below the access door on the face. Do not block this air space (it is required for access door opening and proper air flow).



WARNING: Do not install cement board underneath the fireplace. To do so would leave a large gap underneath the face.

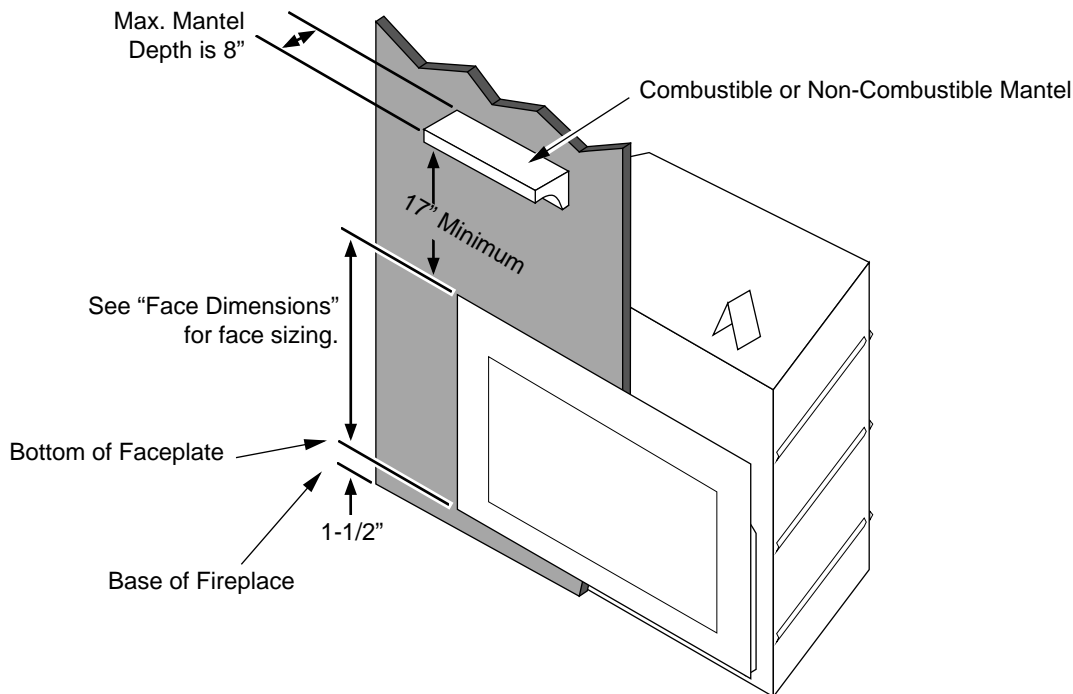
Tile Hearths



Mantel Requirements

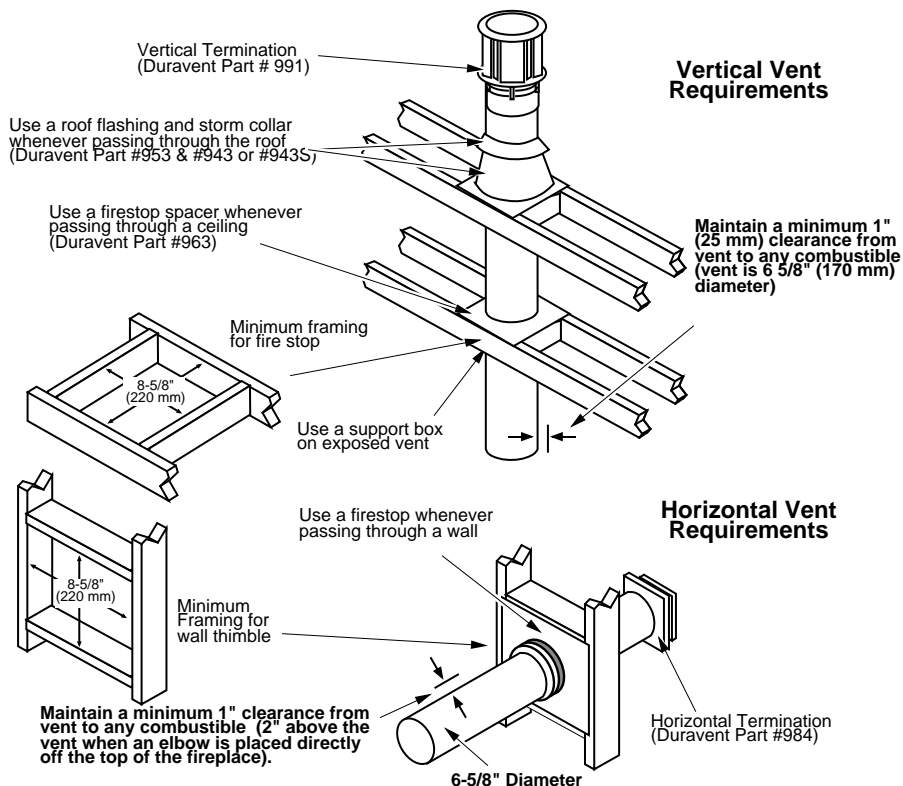
- The combustible area above the facing must not protrude more than 3/4" from the facing. If it does, it is considered a mantel and must meet the mantel requirements listed in this manual.

Combustible or Non-Combustible Mantels



Vent Requirements

- Always maintain the required 1" clearance (2" clearance above the vent when an elbow is placed directly off the top of the fireplace) to combustible materials to prevent a fire hazard. Do not fill air spaces with insulation.
- The gas appliance and vent system must be vented directly to the outside of the building, and never be attached to a chimney serving a separate solid fuel or gas-burning appliance. Each direct vent gas appliance must use its own separate vent system.
- In addition to the requirements below, follow the requirements provided with the vent.



Altitude Considerations

- This heater has been tested at altitudes ranging from sea level to 8,000 feet (2,400 M). In this testing we have found that the heater, with its standard orifice, burns correctly with just an air shutter adjustment.
- Failure to adjust the air shutter properly may lead to improper combustion which can create a safety hazard. Consult your dealer or installer if you suspect an improperly adjusted air shutter.

Approved Vent Components for Top Vent Configuration

- Use 6-5/8" diameter Model GS Direct Vent manufactured by Simpson Dura-Vent **only**. Follow the installation instructions included with the vent. For the nearest Simpson Dura-Vent supplier, call (800) 835-4429. Vent part numbers and descriptions are listed below.

Straight Lengths

908B	6" Pipe Length, Black (interior)
907B	9" Pipe Length, Black (interior)
906	12" Pipe Length, Galvanized
906B	12" Pipe Length, Black (interior)
904	24" Pipe Length, Galvanized
904B	24" Pipe Length, Black (interior)
903	36" Pipe Length, Galvanized
903B	36" Pipe Length, Black (interior)
902	48" Pipe Length, Galvanized
902B	48" Pipe Length, Black (interior)
911B	11" to 14 5/8" Pipe, Adjustable, Black (interior)

Vent Terminations

981	Snorkel Termination (36" rise) (for basement or raised termination installations)
982	Snorkel Termination (14" rise) (for basement or raised termination installations)
984	Horizontal Square Termination
950	Vinyl Siding Stand-off
991	High Wind Vertical Termination

Elbows

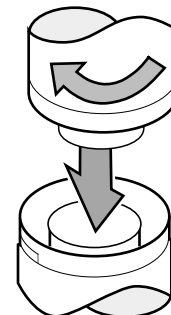
930	90° Elbow
930B	90° Elbow, Black (interior)

Penetration, Support Parts

942	Wall Thimble
941	Cathedral Ceiling Support Box
943	Flashing, 0/12 to 6/12 Roof Pitch
943S	Flashing, 7/12 to 12/12 Roof Pitch
953	Storm Collar
963	Ceiling Fire-stop
988	Wall Strap

Vent Installation

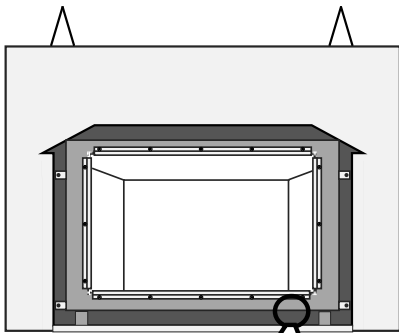
- Slide the vent sections together and turn 1/4 turn until the sections lock in place.
- Screws are not required to secure the vent. However, three screws may be used to secure vent sections together if desired.
- High temperature sealant is recommended at the appliance starter section connection (use high-temperature silicone or Mill-Pac®).
- If disassembly is required, at time of re-assembly check to see if the vent creates a tight fit. If it does not, apply high temperature sealant to the joints of the affected sections.
- Horizontal sections require a 1/4" rise every 12" of travel
- Horizontal sections require non-combustible support every three feet (e.g.: plumbing tape)



Approved Vent Configurations

Restrictor Position

A vent restrictor is built into the appliance to adjust the flow rate of exhaust gases. This ensures proper combustion for all vent configurations. Depending upon the vent configuration, you may be required to adjust the restrictor position. The charts for acceptable vent configurations describe which position the vent restrictor must be in.



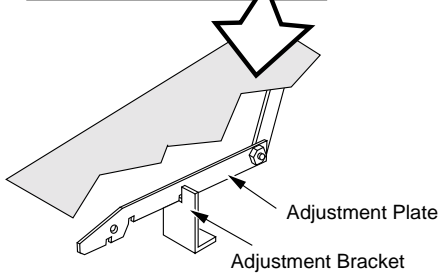
To Access the Restrictor:

With the fireplace cool, use the bent rod included in the owner's pack to adjust the plate.

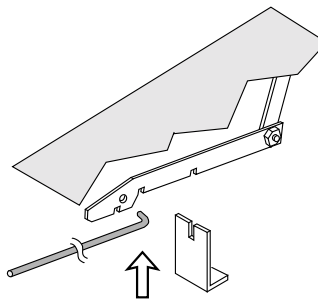
NOTE: The fireplace is shipped with the restrictor in position #1 (fully open).

To Adjust the Restrictor:

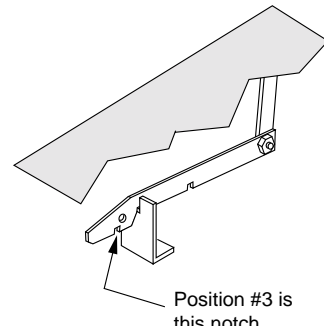
- 1 Determine the correct restrictor position (see the charts under "Approved Vent Configurations" - the stock position is #1).
- 2 Lift up the adjustment plate and move it so the correct notch falls into the slot on the adjustment bracket.



This restrictor is in position 1.



To adjust, use the rod included in the owner's pack to lift up on the adjustment plate.



This restrictor is in position 2.

Measuring Vent Lengths

A maximum of two 90° elbows may be used.

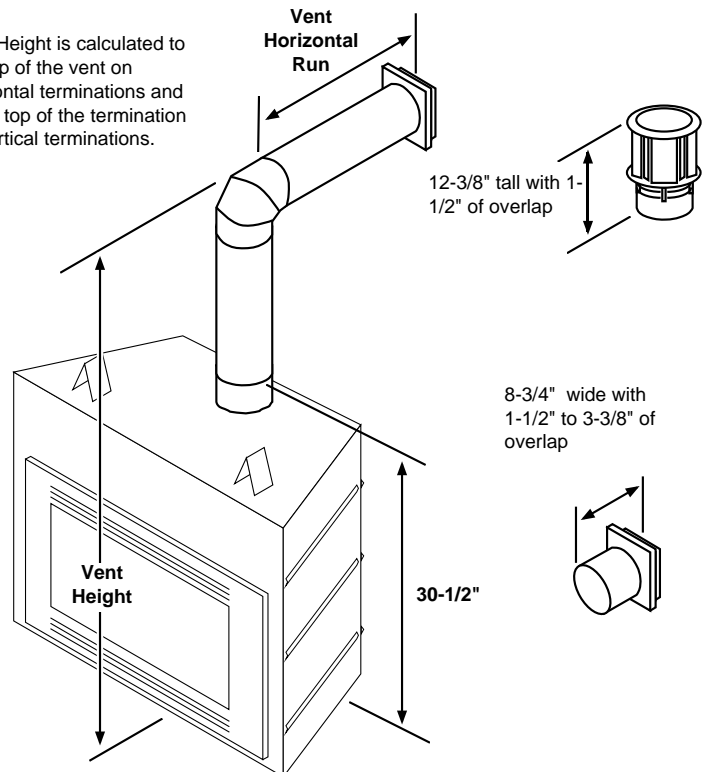
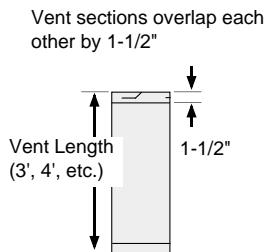
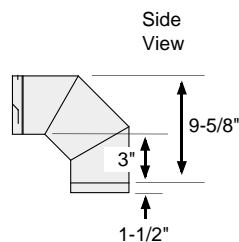
NOTE: do not use a 90° elbow between two horizontal sections.

NOTE: one additional 45° elbow may be used between two horizontal sections.

- or -
Two 45° elbows may be used between vertical sections.

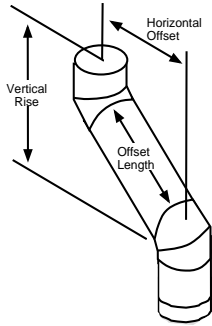
Elbows add 3" to the length of the vent system.

Vent Height is calculated to the top of the vent on horizontal terminations and to the top of the termination on vertical terminations.

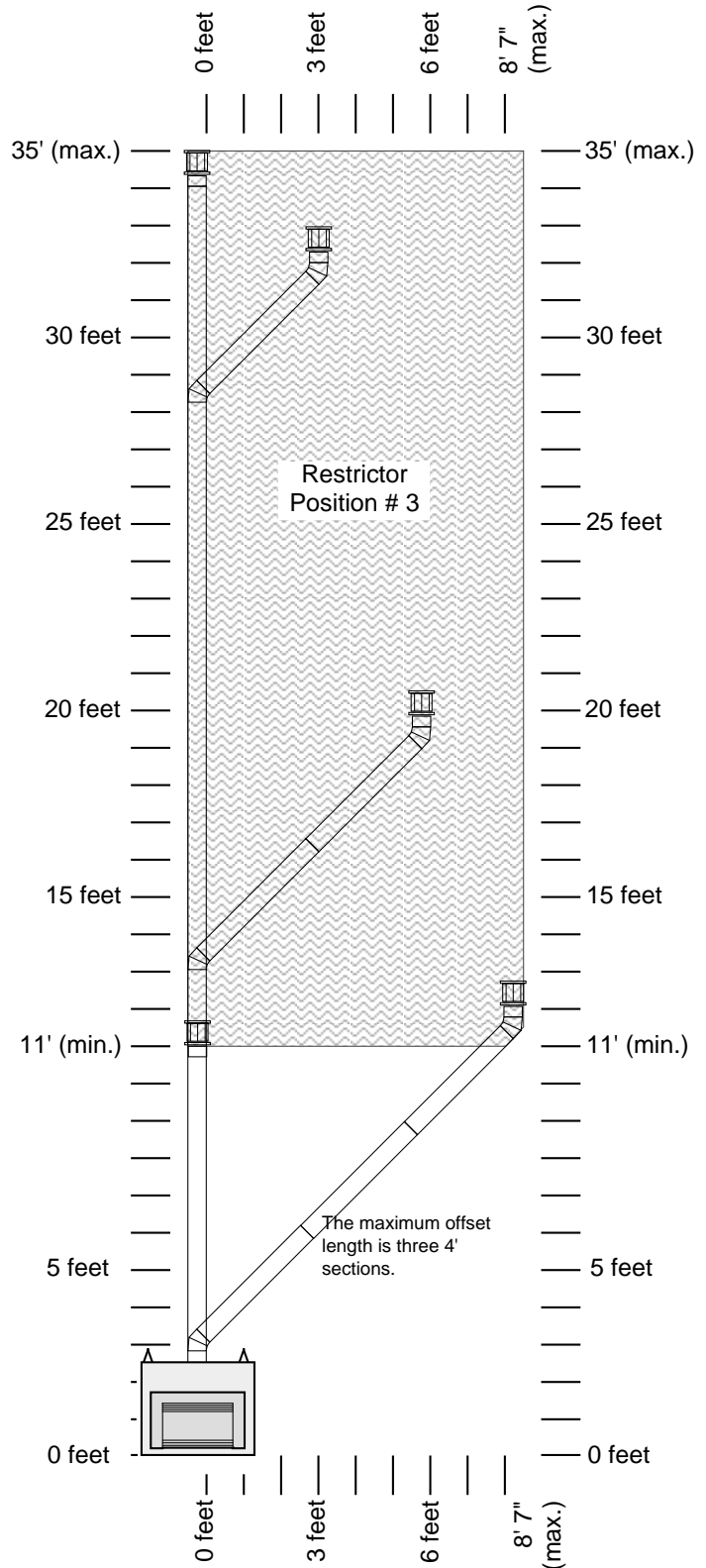


Vertical Terminations using 0 or 2 45° Offsets

•The termination must fall within the shaded area shown in the chart. Use the indicated restrictor position.

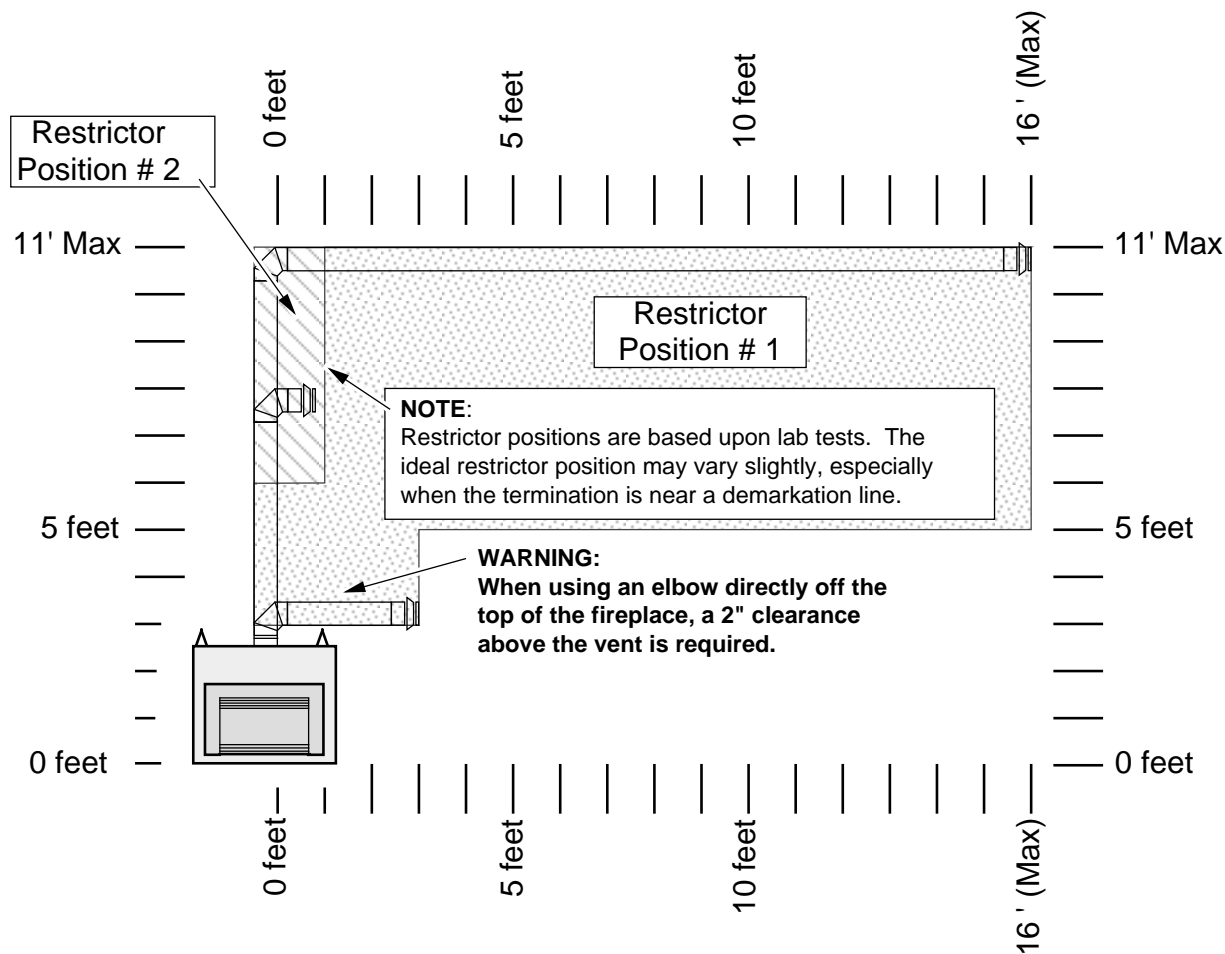


Offset Length	Hor. Offset	Vert. Rise
None	5"	1'
1' Section	1'	1' 7"
2' Section	1' 9"	2' 4"
3' Section	2' 5"	3'
4' Section	3' 2"	3' 8"



Venting Configurations with a Horizontal Termination

The termination must fall within the shaded area shown in the chart. Use the indicated restrictor position.



NOTE:

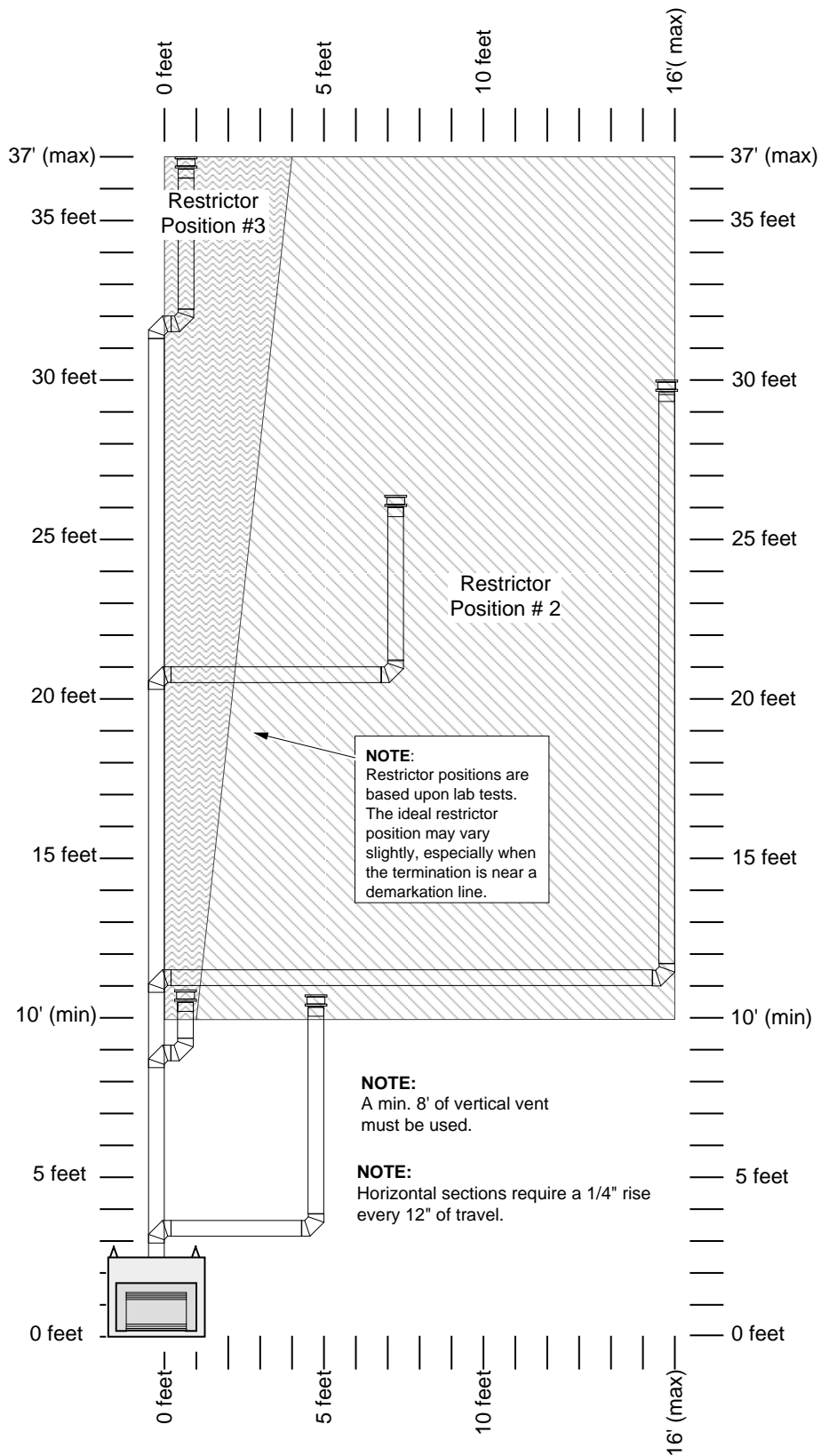
Horizontal sections require a 1/4" rise every 12" of travel.

The maximum vertical height is 11' - two 4' sections

The maximum horizontal length is 16' - four 4' sections

Vertical Terminations with 2 90° Elbows

The termination must fall within the shaded area shown in the chart. Use the indicated restrictor position.



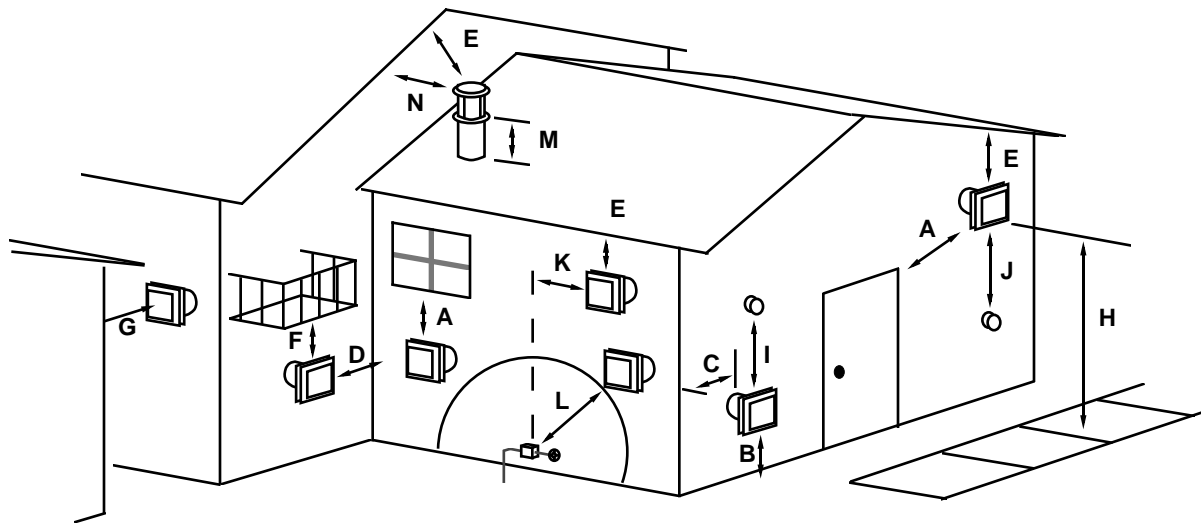
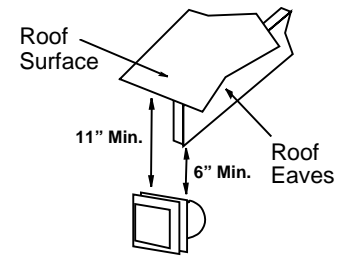
Termination Requirements (see the illustration below)

! Venting terminals shall not be recessed into a wall or siding.

- A Minimum 9" clearance from any door or window
- B Minimum 12" above any grade, veranda, porch, deck or balcony
- C Minimum 3" from outside corner walls
- D Minimum 12" from inside corner walls
- E Minimum 11" clearance below unventilated soffits or roof surfaces
Minimum 18" clearance below ventilated soffits
Minimum 6" clearance from roof eaves

NOTE: Vinyl surfaces require 24"

- F Minimum 18" clearance below a veranda, porch, deck or balcony (must have two open sides)
- G Minimum 48" clearance from any adjacent building
- H Minimum 84" clearance above any grade when adjacent to public walkways or driveways
NOTE: may not be used over a walkway or driveway shared by an adjacent building
- I Minimum 48" clearance from any mechanical air supply inlet
- J Minimum 36" clearance above and 48" below and to the sides of non-mechanical air supply inlet
- K Minimum 36" from the area above the gas meter/regulator (vent outlet)
- L Minimum 36" from the gas meter/regulator (vent outlet)
- M Minimum 12" above the roof line (for vertical terminations)
- N Minimum 24" horizontal clearance to any surface (such as an exterior wall) – for vertical terminations



NOTE: Measure clearances to the nearest edge of the exhaust hood.

- Use the vinyl siding standoff when installing on an exterior with vinyl siding.
- Vent termination must not be located where it will become plugged by snow or other material
- These clearances meet UMC-1994 code standards.

Gas Line Requirements

- The gas line must be installed in accordance with all local codes, if any; if not, follow ANSI 223.1 and the requirements listed below.
- The fireplace and gas control valve must be disconnected from the gas supply piping during any pressure testing of that system at test pressures in excess of 1/2 psig. For pressures under 1/2 psig, isolate the gas supply piping by closing the manual shutoff valve.
- Leak test all gas line joints and the gas control valve prior to and after starting the fireplace.

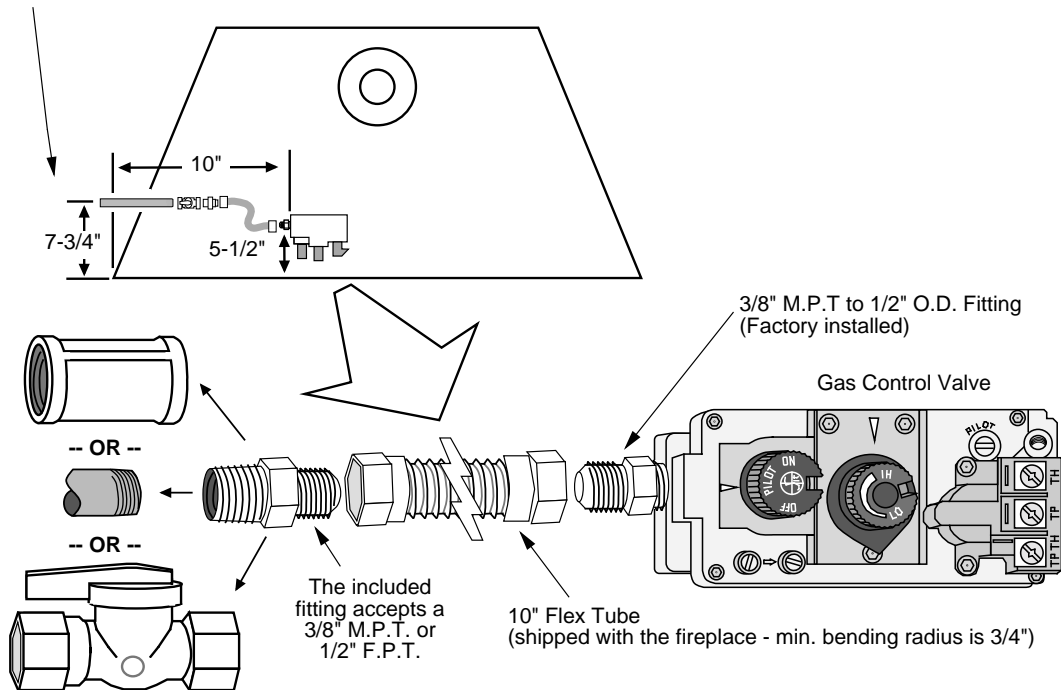
Fuel

- This fireplace is designed either for natural gas or for propane (but not for both). Check the sticker on the top of the gas control valve to make sure the correct fuel is used.

Gas Line Connection

- A manual shutoff valve is required within for installation (within 3' of the heater). T-Handle gas cocks are required in Massachusetts in compliance with code 248CMR.
- Installation must be performed by a qualified installer, service agency or the gas supplier (In Massachusetts a licensed plumber/gasfitter).

The 1" diameter access hole is located 2-7/8" above the base of the fireplace. Cut an "X" in the gasket covering the inlet and insert the gas line through the gasket.



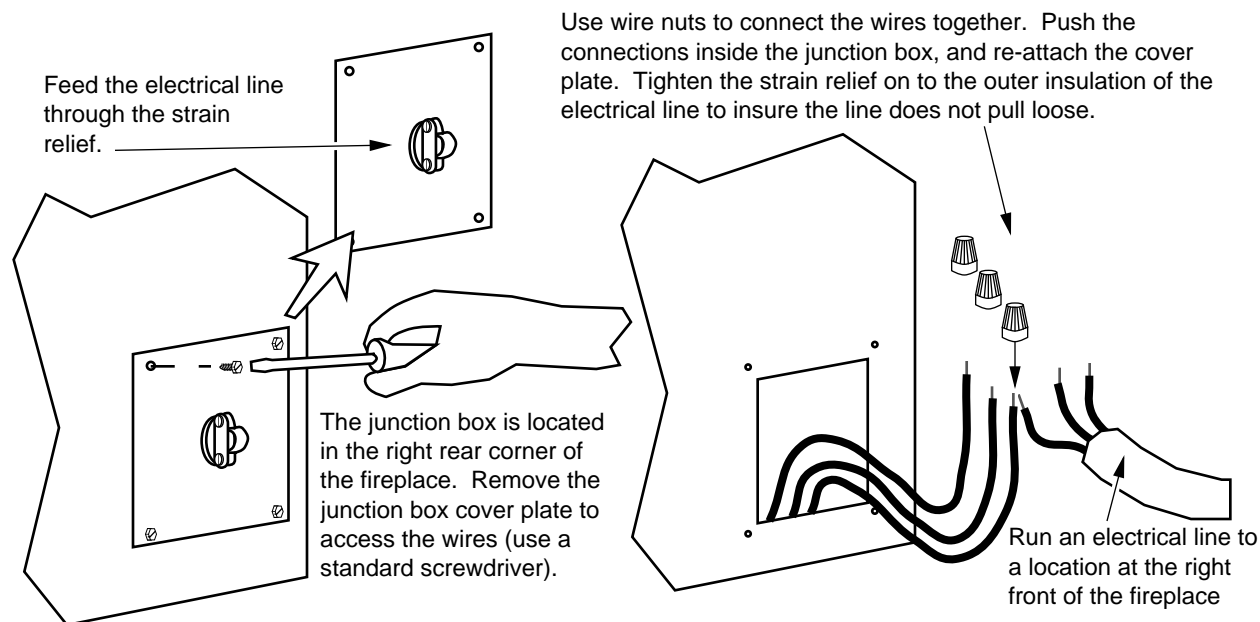
Gas Inlet Pressure:

	Standard Input Pressure
Natural Gas	7" W.C. (1.74 kPA)
Propane	13" W.C. (2.73 kPA)

- If the pressure is not sufficient, make sure the piping used is large enough, the supply regulator is adequately adjusted, and the total gas load for the residence does not exceed the amount supplied.
- The supply regulator (the regulator that attaches directly to the residence inlet or to the propane tank) should supply gas at the suggested input pressure listed above. Contact the local gas supplier if the regulator is at an improper pressure.

Electrical Connection

- Make sure the household breaker is shut off prior to working on any electrical lines.
- The fireplace must be properly grounded in accordance with local codes (or ANSI/NFPA 70-1987)
- The electrical line must be grounded and supply 120 Volts at 60 Hz (2 Amps)
- Follow the directions below to connect power to the fireplace.



- 1 Remove the junction box cover at the right front corner of the fireplace near the base.
- 2 Feed the electrical line through the strain relief (use insulated Romex (®) type wire).
- 3 Remove the wires from the junction box. Expose approximately 1/2" of metal wire from each line of the electrical line. Use wire nuts to secure the wires together. Connect the green wire to the ground wire (usually green), the white wire to the common wire (usually white), and black wire to the hot wire (usually black).

NOTE: If using a thermostat or remote control, route the wire through the junction box along with the electrical line - see the section "Optional Equipment".

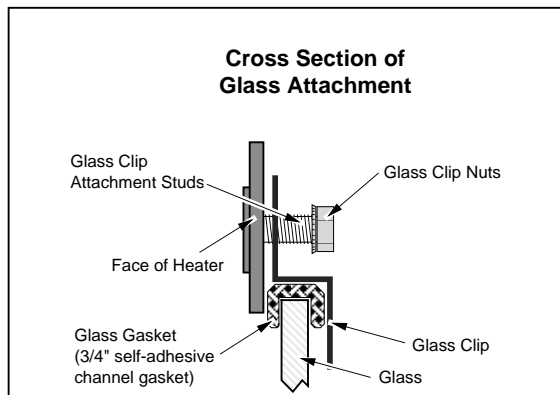
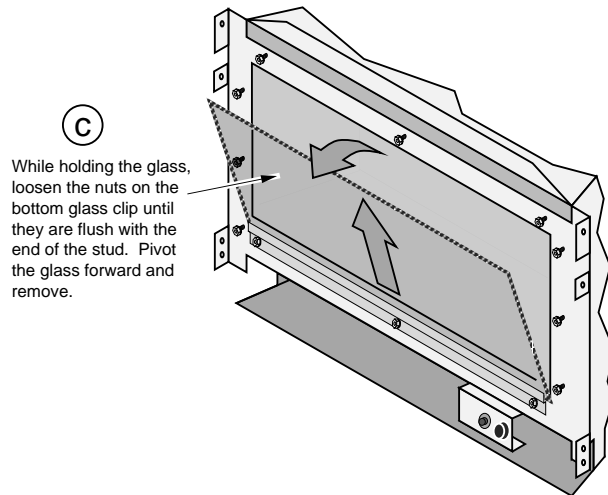
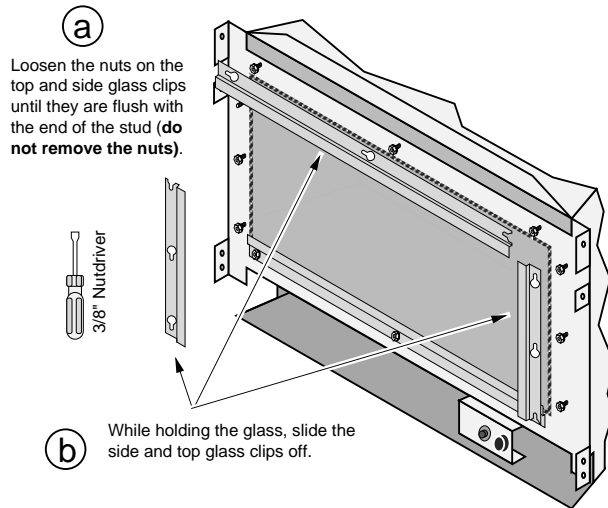
- 4 Push the wire connections into the junction box. Replace the cover plate.
- 5 Tighten the strain relief on to the outer insulation of the electrical line to secure.

1 Remove the glass following the directions below.

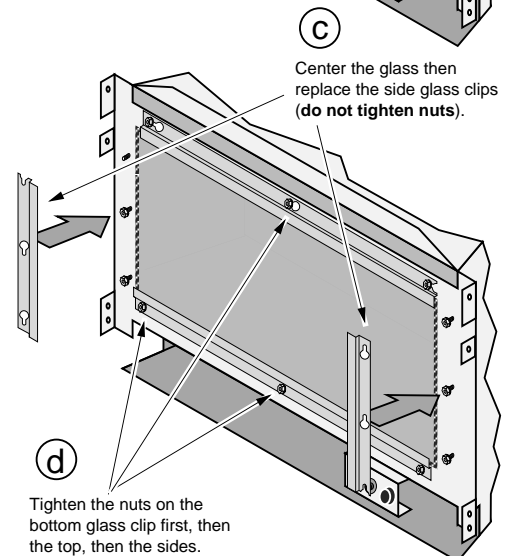
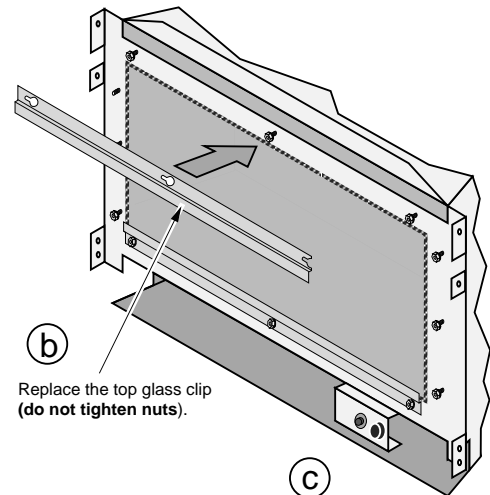
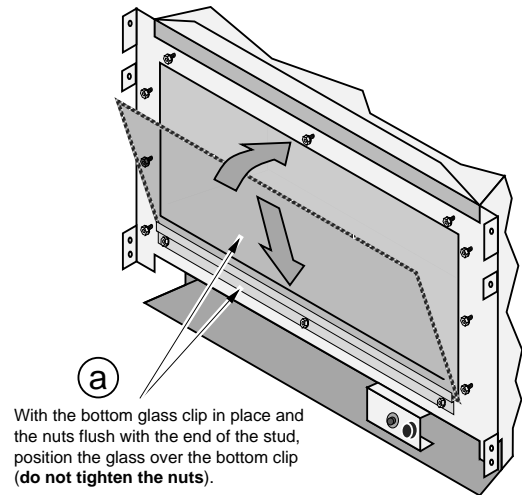
Warning: The appliance must be completely cool before removing the glass.

Warning: Do not strike or slam the glass.

Removing the Glass



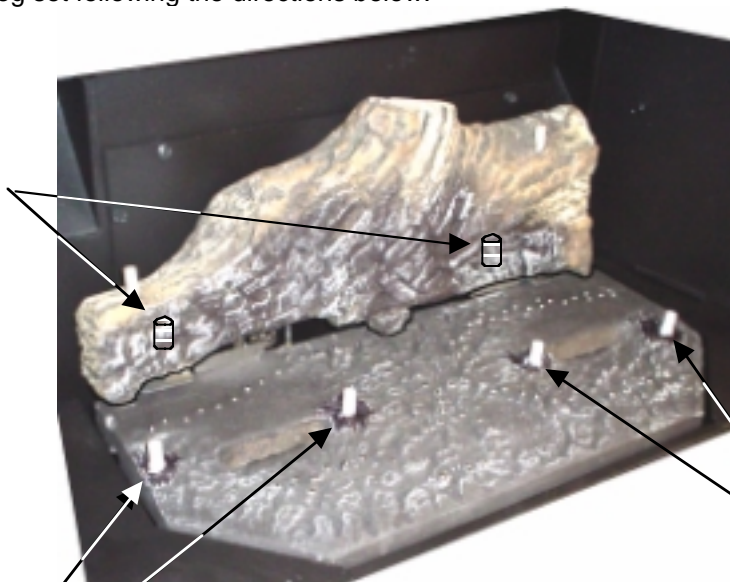
Replacing the Glass



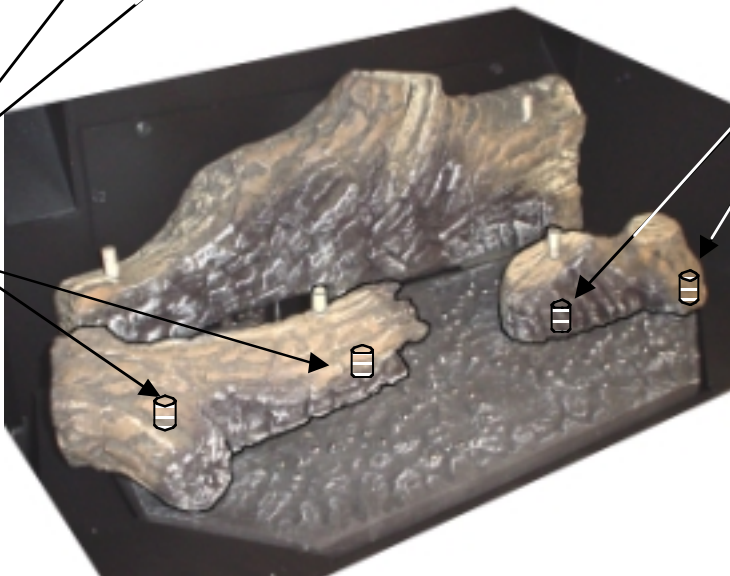
Finalizing the Installation

- If converting to propane, do so now before installing the logs (page 39).
- 2 Install the log set following the directions below.

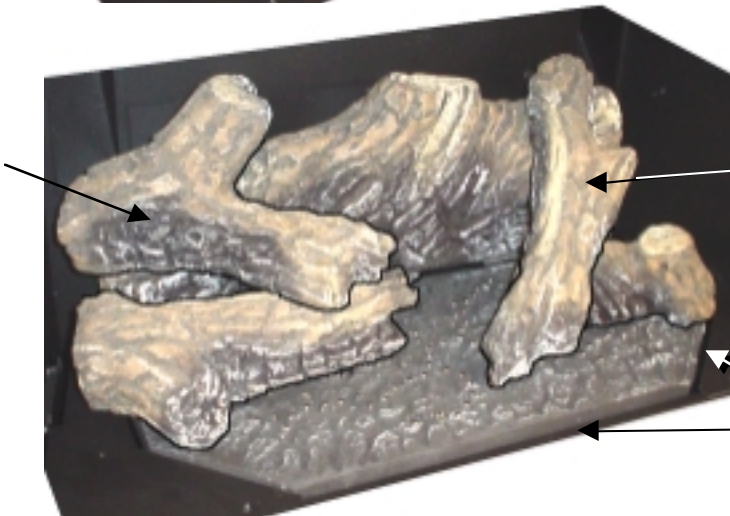
Place the rear log so the pins on the burner insert into the holes on the bottom of the log.



Place the right log so the pins on the burner insert into the holes on the bottom of the log.

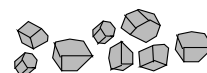


Place the left log so the pins on the burner insert into the holes on the bottom of the log.



Place the left twig so the pins on the logs insert into the holes on the bottom of the twig.

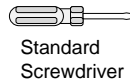
Place the right twig so the pins on the logs insert into the holes on the bottom of the twig.



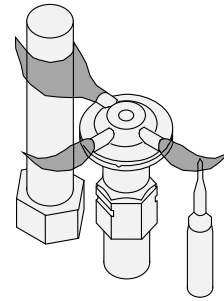
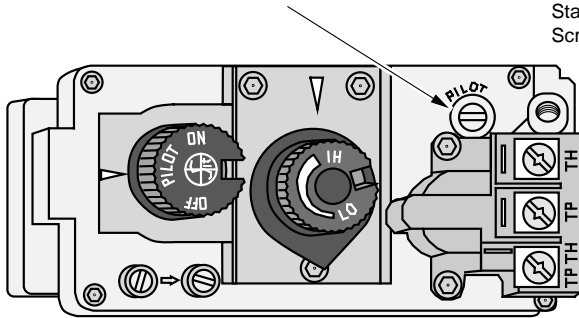
Place the ember chunks around the perimeter of the burner to conceal the gap.

- 3 We recommend you purge the gas line at this time (with the glass removed). This allows gas to be detected once it enters the firebox, ensuring gas does not build up. Replace the glass.
- 4 Install the faceplate following directions included with the face.
- **ACID WASH WARNING:** Before installing the faceplate, make sure any masonry that has been treated with acid wash has been properly neutralized (this is used primarily with brick faces). Acid wash (muriatic acid) is used to remove excess mortar. If not properly neutralized with an ammonia solution, the gold face may develop a permanent tarnish when the acid evaporates over time. Contact your dealer if uncertain your facing has been properly neutralized.
- 5 Turn on the gas to the fireplace. Turn on gas to the heater. Leak test all gas joints prior to starting the appliance. Start the pilot. Start the main burner. Leak test all gas joints again.
- 6 Check the pilot flame to make sure it looks like the illustration below. Adjust the pilot flame if necessary.

To adjust the pilot flame, turn this screw. Clockwise lowers the flame while counter-clockwise raises it.



The pilot flame must contact the thermocouple and thermopile (see the illustration below). Adjust the pilot up or down as necessary.

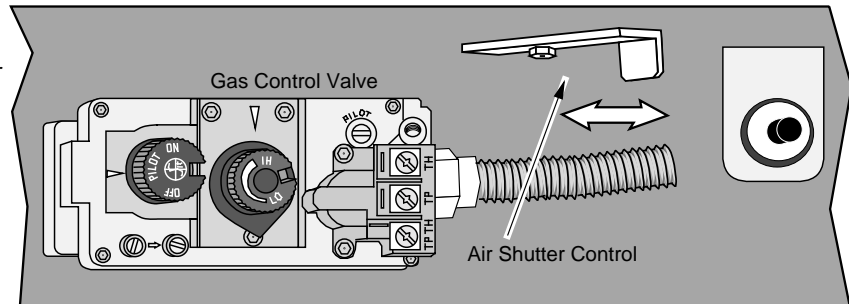


- 7 Let the heater burn for fifteen minutes. Adjust the air shutter, if necessary, to achieve the correct looking flame (see the illustration below).
 - The air shutter adjusts the amount of air that mixes with the gas before it exits the burner holes.

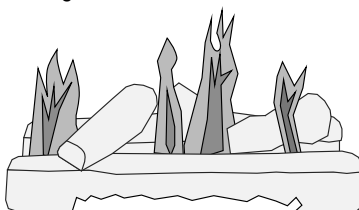
ADJUSTING THE AIR SHUTTER

Pushing to the right gives the flame less air (making it more orange). Pushing to the left gives the flame more air, making it more blue. For fine adjustments use a screwdriver to tap the air shutter.

NOTE: If the air shutter is all the way open, yet the flames remain sooty, shut off gas to the fireplace and contact a qualified gas service technician.

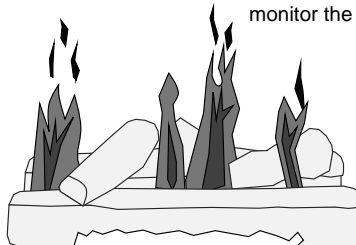


NOTE: The logs must be installed correctly to monitor the flame while adjusting the air shutter.



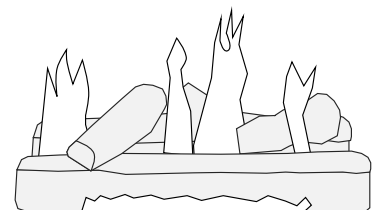
Correct

Flames should be blue at the base, yellow-orange on the top.



Not Enough Air

If the flames are over 14" tall or sooty on the ends, open the air shutter.



Too Much Air

If the flames are all blue and short, close the air shutter.

- 8 Turn the flame adjust knob to its highest position - the flames should not be sooty or come in continuous contact with the firebox ceiling. Check the flame on low position. The flames should burn off of each burner hole. If the heater does not work correctly, contact your dealer for a remedy.

FINE TUNING THE EMBER-FYRE™ BURNER

Each installation is affected by altitude, vent configuration, and fuel quality. Because of this, the restrictor and air shutter may need to be fine tuned to each installation. Follow the hints below to fine-tune the burner for optimum performance and aesthetics.

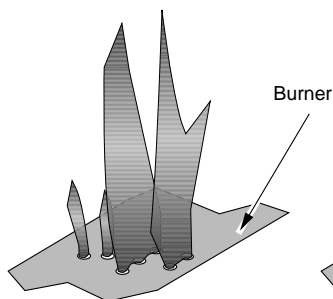
Restrictor Hints:

Set the restrictor to the position suggested in the vent configuration table. Turn the heater on and allow it to reach temperature (15 min.). If the flames indicate there is excessive draft due to altitude or climate, you may wish to adjust restrictor to a more restrictive position (higher number). Active, flickering short flames are an indication of excessive draft. If the flames lift off of the burner holes, this indicates not enough draft (restrictor is set too open). After adjustments are made the unit must be cooled down to room temperature and restarted to make sure that the rest is not so severe that the pilot will drop out when it is restarted. If the pilot does drop out reduce the restriction until operate continuously.

Air Shutter Hints:

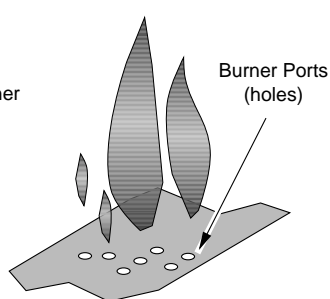
- For more glow, open the air shutter, however, this will make the flames more blue.
- For yellow flames, close the air shutter, however, this may create less glow.

Correct Flames



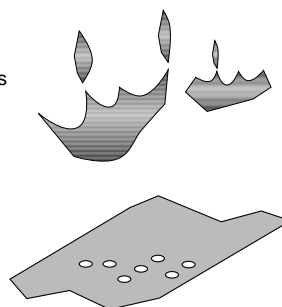
The flames should burn right off the top of the burner ports (if they are too blue, adjust the air control).

Lifting Flames



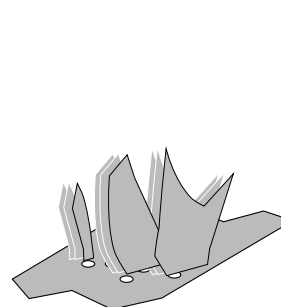
Lifting flames indicate insufficient draft (restrictor is set too high).

Ghosting Flames



Ghosting flames indicate insufficient air (restrictor set too high, air shutter shut down, or other venting error).

Flickering Flames



Flickering, short flames indicate excessive draft (move air shutter to a higher position).

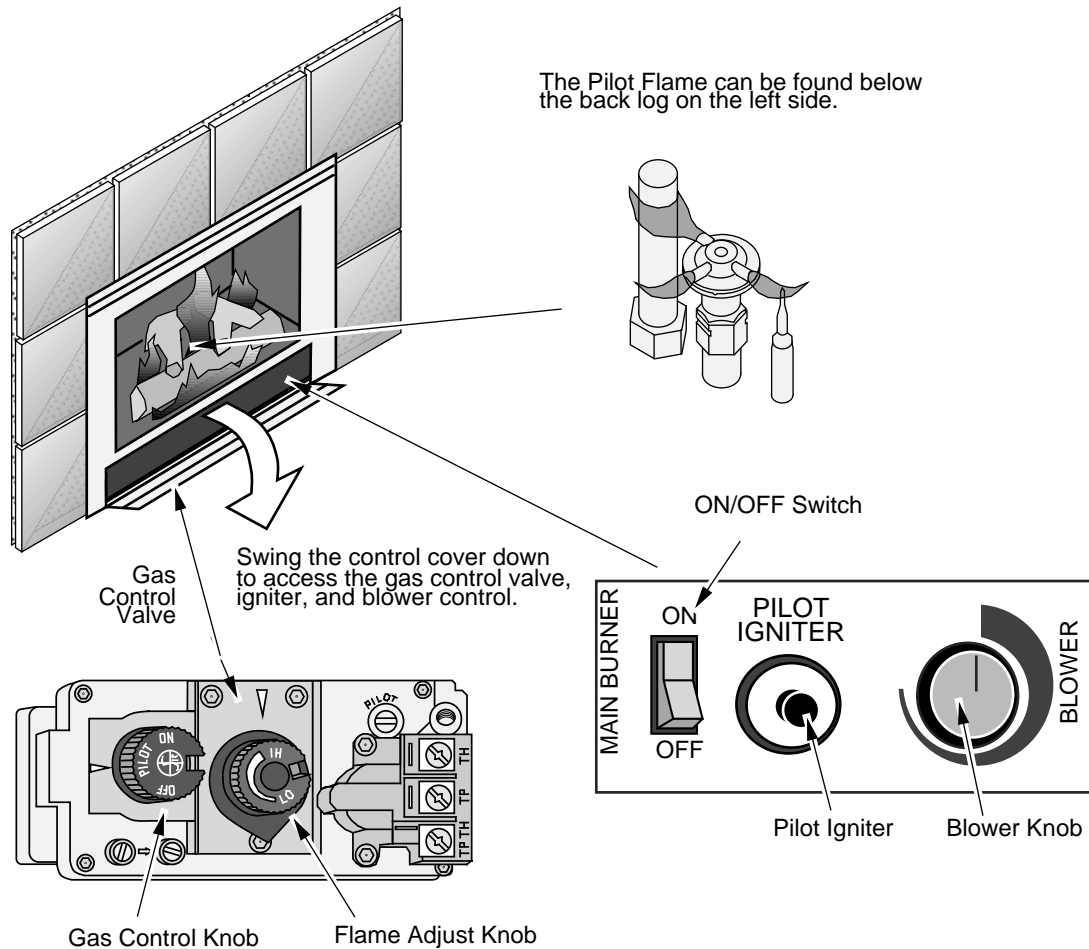
Warning: If the vent configuration is installed incorrectly the vent may cause the flames inside the heater to lift or "ghost" – a dangerous situation. Inspect the flames after installation to insure proper performance. If the vent configuration is correct, yet the flames are lifting or ghosting, shut off gas to the heater and contact the dealer for information on remedying the problem.

- 9 Give this manual to the home owner and fully explain the operation of this heater.

Before You Begin

- Read this entire manual before you use your new fireplace (especially the section "Safety Precautions" on pages 4 & 5). Failure to follow the instructions may result in property damage, bodily injury, or even death.

Location of Controls - See explanation below



- Blower Knob** This knob controls the speed of the internal convection blower that pushes the heated air into the room.
- On/Off Switch** This control is used to turn the fireplace on and off.
- Pilot Igniter** The pilot igniter is used only to start the pilot. When pressed, it sends an electrical charge to the pilot assembly. This creates a blue spark directly next to the pilot, igniting the pilot flame.
- Gas Control Knob** This knob is used to control gas to the fireplace and for starting the pilot. There are three positions, ON, OFF, & PILOT. The pointer to the left of the knob indicates the position this knob is in.
- Flame Adjust Knob** This knob controls the flame height from low ("LO") to high ("HI"). The pointer above the knob points to the position this knob is in.

Lighting The Pilot Flame

The pilot flame is required to ignite the main burn (the pilot also plays a safety role). It should be left on once lit (the pilot will stay lit unless the gas control valve is turned to "OFF". However, the pilot will go out if the gas is off, the propane tank runs out (or low) or if the stove malfunctions. If the pilot turns off frequently, call your dealer for information. To start the pilot follow the directions below:

WARNING:

When lighting or re-lighting the pilot, the glass must be removed (see page 25).

- Remove the glass (see page 25 for details).
- Push the gas control knob in slightly and turn it to the "OFF" position. The knob will not turn from "ON" to "OFF" unless the knob is depressed slightly. Wait five minutes to let any gas that may have accumulated inside the firebox escape. If you smell leaking gas, follow the directions on the cover "IF YOU SMELL GAS".
- Turn the gas control knob to the "PILOT" position and press the knob in, this will allow gas to flow to the pilot light. Press the button on the pilot igniter repeatedly until you see the pilot light.

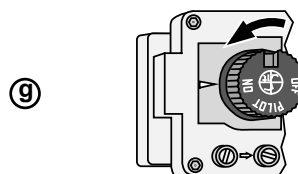
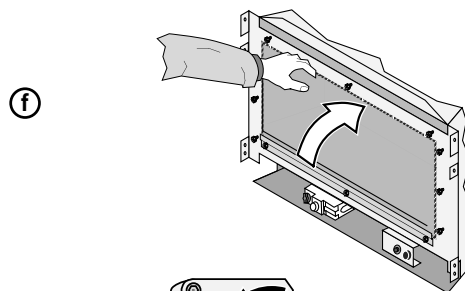
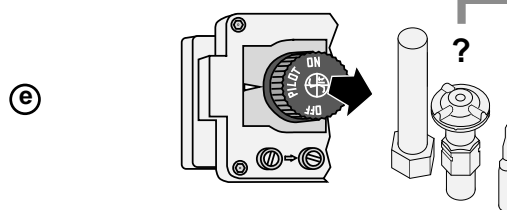
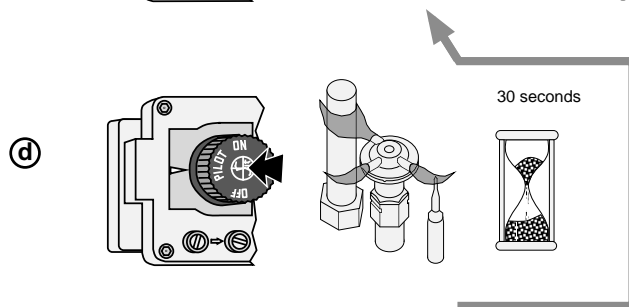
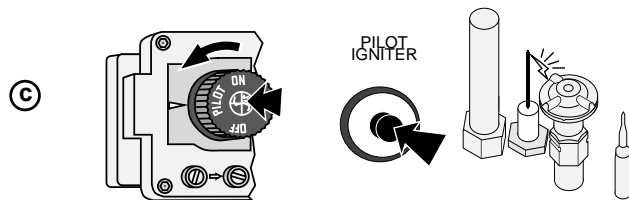
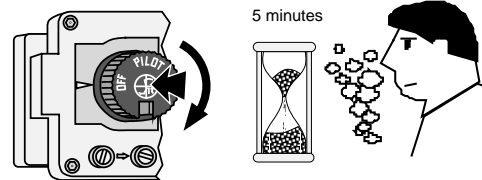
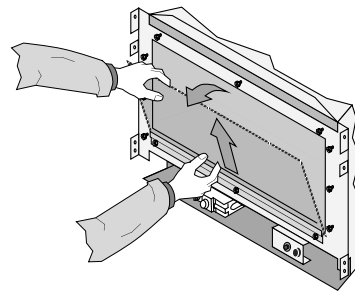
WARNING:

If the pilot does not light after 15 seconds, release the knob and call your dealer for service. Do not attempt to light pilot until service has been performed.

NOTE:

You may wish to remove the log set to gain a better view of the pilot (see page 26).

- Keep the gas control knob depressed for 30 seconds once it is lit.
- Release the gas control knob. If the pilot goes out, repeat step C. If the pilot refuses to stay lit, call your dealer for service. With the pilot lit, proceed to step "f".
- Replace the glass.
- Turn the gas control knob counter-clockwise to "ON". The pilot is now lit and the heater can be turned on and off.

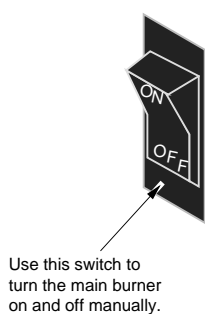


Starting the Fireplace for the First Time

- Burn the heater at a high setting with the blower off for an extended period (up to 48 hours). This will cure the painted surfaces. **Fumes** from the paint curing and oil burning off the steel will occur. This is normal. We recommend opening a window to vent the room.
- **Condensation** may appear on the glass each time you start the fireplace - this is normal.
- **Blue Flames** will occur on the fireplace when it first comes on. After fifteen minutes the flames will turn a more realistic yellow and orange color.
- Certain installations use a remote "wall switch" to turn the fireplace on and off. If this is the case, leave the ON/OFF switch "ON".

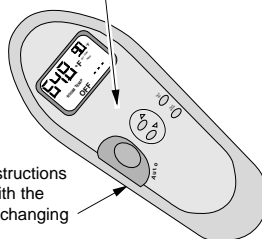
Turning the Fireplace On and Off

After the pilot has been started...

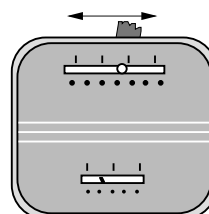


See the instructions included with the remote for details on operation.

See the instructions included with the remote for changing the battery.



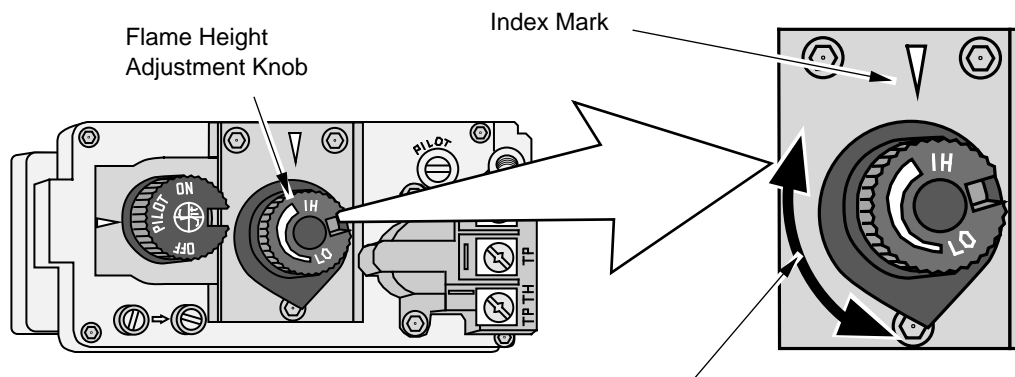
For systems with wall thermostats, use this switch to control the temperature (right is hotter, left cooler). Some systems require the on/off switch to be on.



- Do not place any combustible items on top of or directly in front of the fireplace, even temporarily. The optional thermostat may start the fireplace causing a combustible item to ignite.
- If the fireplace turns on and off frequently while using the thermostat, you may want to adjust the flame height down until it produces just enough heat needed.

Adjusting the Flame Height

- Your fireplace has an adjustable flame to tailor the look and heat output to your specific needs. It is adjusted by turning the middle dial on the gas control valve.



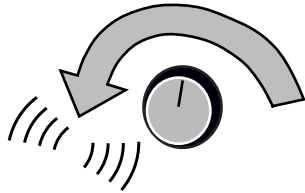
Turn counter-clockwise to adjust the flame higher, clockwise to lower.

Adjusting the Blower Speed

The blower helps transfer heat from the heater into the room. It will not turn on until the heater is up to temperature (approximately 10 minutes after starting). See the illustration below for instructions on adjusting the blower speed.

OFF

Turn the dial all the way counter-clockwise until it clicks off.



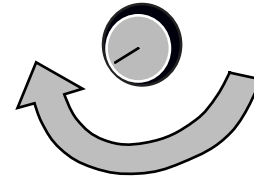
HIGH

The high position is all the way counter-clockwise, **without** clicking off.



LOW

Turn the dial all the way clockwise.



Normal Operating Sounds

Pilot Flame

The pilot flame, which remains on, makes a very slight "whisper" sound.

Blower

This heater uses a blower to push heated air into the room. You will hear the sound of air movement that increases as the speed is increased.

The appliance will creak with change of temperature.

Extinction Pops

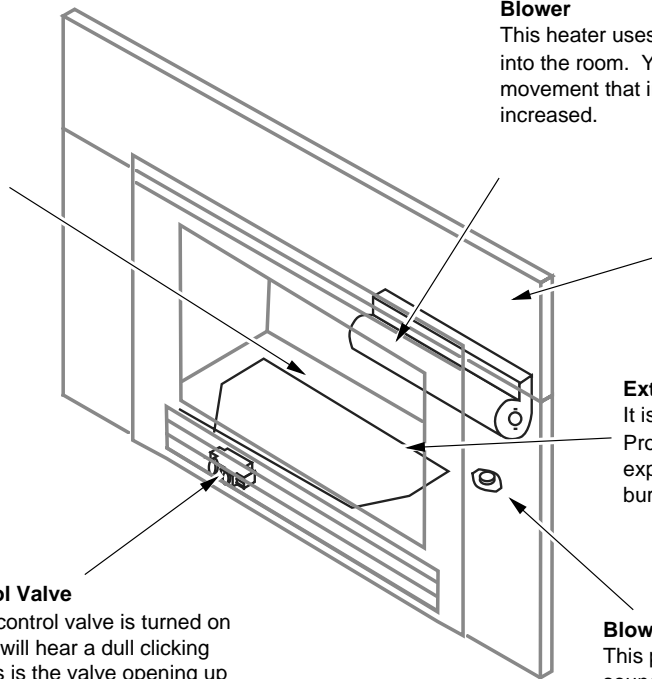
It is not unusual, especially on Propane (LP) appliances, to experience a "pop" when the burner is shut off.

Gas Control Valve

As the gas control valve is turned on and off you will hear a dull clicking sound. This is the valve opening up and shutting down.

Blower Snap Disk

This part can produce a clicking sound as it turns the blower on and off.



Normal Operating Odors

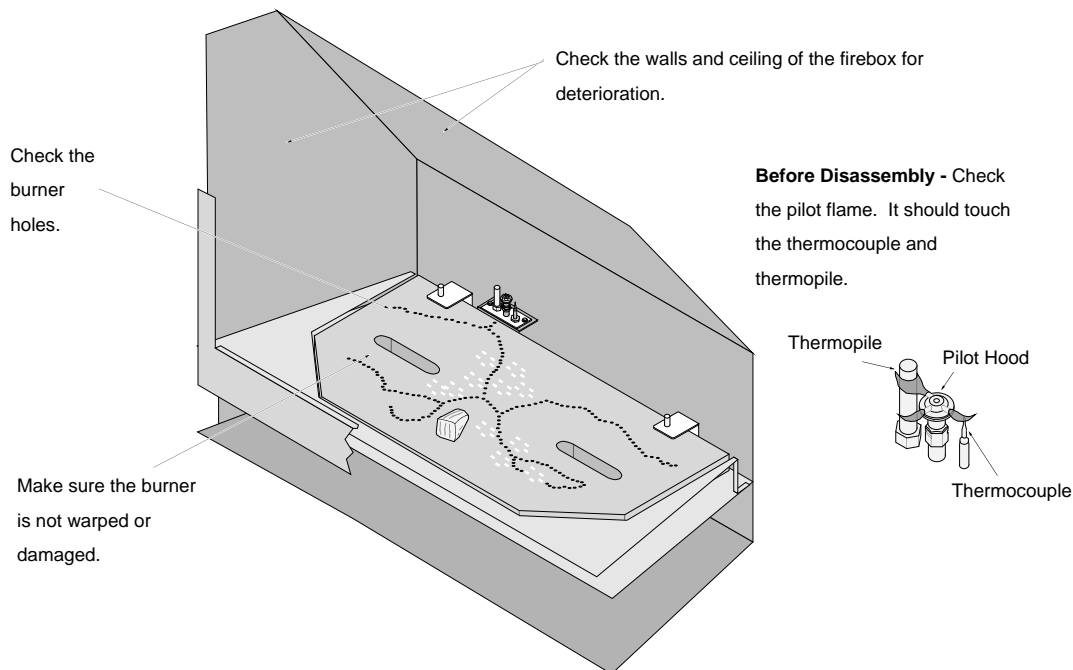
This appliance has several areas that reach high temperatures. Dust or other particles on these areas may burn and create an odor. This is normal during start-up. You may notice the smell is more acute if the appliance was left idle for a long period.

Maintaining Your Fireplace's Appearance

- Fingerprints or other marks left on the optional gold surface may become etched in place if they are not wiped clean prior to turning the fireplace on. Clean the gold with denatured alcohol and a soft cloth (with the fireplace cool). Other cleaners may leave a film that may become etched into the gold.

Yearly Service Procedure

- Failure to inspect and maintain the fireplace may lead to improper combustion and a potentially dangerous situation. We recommend the following procedures be done by a qualified technician.
 - 1 Check the pilot flame. It should touch approximately 3/8" of the top of the thermopile and touch the top of the thermocouple (see illustration below). If it does not, contact your dealer for service.
 - 2 Shut off gas to the fireplace by turning the gas control knob to "OFF" (see step A under "Starting the Pilot" on page 30). Let the fireplace cool for 15 minutes. Remove the faceplate (see the instructions included with the face) and glass (see page 25).
 - 3 Remove the log set (**NOTE: the logs are very fragile** - see page 26). If severely deteriorated, replace. Check the logs for sooting. A small amount of soot along the bottom of the logs is normal. If excessive sooting is found, the fireplace will require adjustment. Contact your dealer.
 - 4 Clean the burner (especially the burner holes) and inspect the following:
 - Make sure the burner is not warped, cracked, or damaged.
 - Check the firebox and area around the pilot to make sure there is no warping or damage. If any problem is found, discontinue use and contact your dealer for service.



- 5 Replace the log set. Clean and replace the glass (use non-abrasive cleaner - if damaged, replace). Make sure the gasket along the perimeter of the glass contacts the face of the firebox and forms an air-tight seal. If it does not, re-align or replace the gasket to insure an air-tight seal. Replace the faceplate.
- 6 Inspect behind the access door. Clean if necessary. Check the gas control valve gas lines. If damage is found, discontinue use and contact your dealer for service. Clean the air channels and ducts.
- 7 Start the pilot and turn on the main burner. The flames should be orange/yellow and not touch the top of the firebox. If the pilot or main burners do not burn correctly, contact your dealer for service. Monitor the blower operation.
- 8 Remove any debris or vegetation near the vent termination. Contact your dealer if any sooting or deterioration is found near the vent termination.

Troubleshooting Table

Problem:	Possible Cause:	Don't Call for Service Until You:
Pilot Will Not Light	A gas shut off valve is turned off _____ The gas control knob isn't turned to "PILOT" _____ The valve control knob isn't pushed in _____ The igniter wasn't pressed repeatedly _____ No Propane in Tank _____	Check all gas shut off valves See "Starting the Pilot Light" Step C See "Starting the Pilot Light" Step C See "Starting the Pilot Light" Step C Check Tank Level
Main Burners Will Not Start	The pilot light has gone out _____ The gas control valve is turned to "PILOT" or "OFF" _____ The ON/OFF switch is turned to "OFF" _____ The remote control is not working correctly _____ The thermostat is disconnected or set too low _____	See "Starting the Pilot Light" See "Starting the Pilot Light" Turn the ON/OFF switch to "ON" See the remote control instructions See "Thermostat Operation"
Remote Control Does Not Work	The pilot light has gone out _____ The gas control valve is turned to "PILOT" or "OFF" _____ The ON/OFF switch is turned to "OFF" _____ The remote is too far away from the fireplace _____ The remote control receiver is turned "Off" _____ One of the two remote control batteries is dead _____	See "Starting the Pilot Light" See "Starting the Pilot Light" Turn the ON/OFF switch to "ON" Use the remote closer to the fireplace See the remote control instructions See the remote control instructions
Thermostat Does Not Work	The pilot light has gone out _____ The gas control valve is turned to "PILOT" or "OFF" _____ The ON/OFF switch is turned to "OFF" _____ The thermostat is set too low _____	See "Starting the Pilot Light" See "Starting the Pilot Light" Turn the ON/OFF switch to "ON" See "Thermostat Operation"
Fireplace Will Not Distribute Heat	The fireplace is not getting electricity _____ The fireplace is not up to temperature _____	Check the breaker switch See "Operating Your Fireplace"
Pilot Goes Out Once A Month Or More	The gas supply has been shut off _____	Keep the gas supply turned on
Flames Are Too Blue	The fireplace has just been started _____ Improper air shutter adjustment _____	This is normal - see "Starting the Fireplace for the First Time" Adjust Air Shutter - contact your dealer
Flames Are Too Short (Under 6")	The flame height may be turned too low _____	Turn the flame height to "HI" - See "Adjusting the Flame Height"
Thin Layer of Soot Covers the Glass	The logs or coals are placed incorrectly _____ Improper air shutter adjustment _____	See "Log Set Installation and Removal" Adjust Air Shutter - contact your dealer

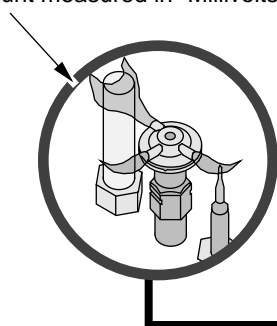
How this Fireplace Works

- This fireplace was designed with safety as the primary concern. Many of the components inside this fireplace are for safety purposes. Therefore, only certified gas service technicians should service this fireplace.

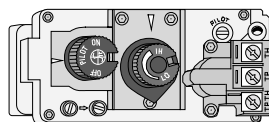
What Turns the Main Burners On and Off

This fireplace uses a millivolt system to control its operation (a millivolt is a very small amount of electricity). The thermopile and thermocouple generate electricity when heated by the pilot flame. This electricity is used to operate the gas valve. Without enough electricity, the gas valve will not turn on. That is why when starting the pilot the gas control knob has to be pressed in long enough for the thermocouple to heat up and generate enough electricity. The thermopile provides power for the ON/OFF switch, remote control, or thermostat (see the illustration below). Because the thermopile generates the electricity needed to turn the fireplace on and off, this fireplace can be operated when the power is out (although the blower will not run).

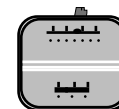
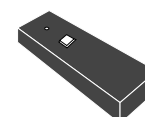
When heated, the thermopile generates electricity (a very small amount measured in "Millivolts").



This electricity is used to operate the main burners.



The main burners are switched on and off using the electricity generated by the thermopile. The ON/OFF switch, remote control, or thermostat control the circuit to the main burner.

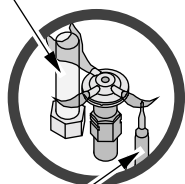


What Prevents Gas Buildup

- This appliance utilizes a high-technology gas valve in conjunction with a pilot flame to ensure no gas builds up inside the firebox.
- The thermocouple (next to the pilot) senses when the pilot flame is lit. If the pilot flame goes out, this thermocouple no longer generates electricity, causing the gas valve to automatically shut off all gas to the heater, preventing the pilot from spilling gas into the firebox.

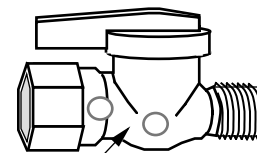
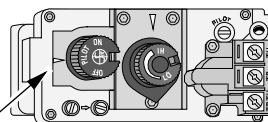
Pilot Flame

The pilot flame is a time-proven component that eliminates the possibility of gas buildup inside the firebox.



Gas Valve

This high-technology valve automatically shuts off all gas if it does not receive a signal from the thermocouple. If any component is damaged or sensing a malfunction, or if the wiring is damaged, it will shut off all gas.



External Shut Off Valve

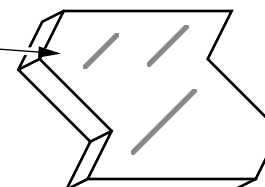
This valve is placed on the gas line to shut off gas to the appliance during maintenance procedures.

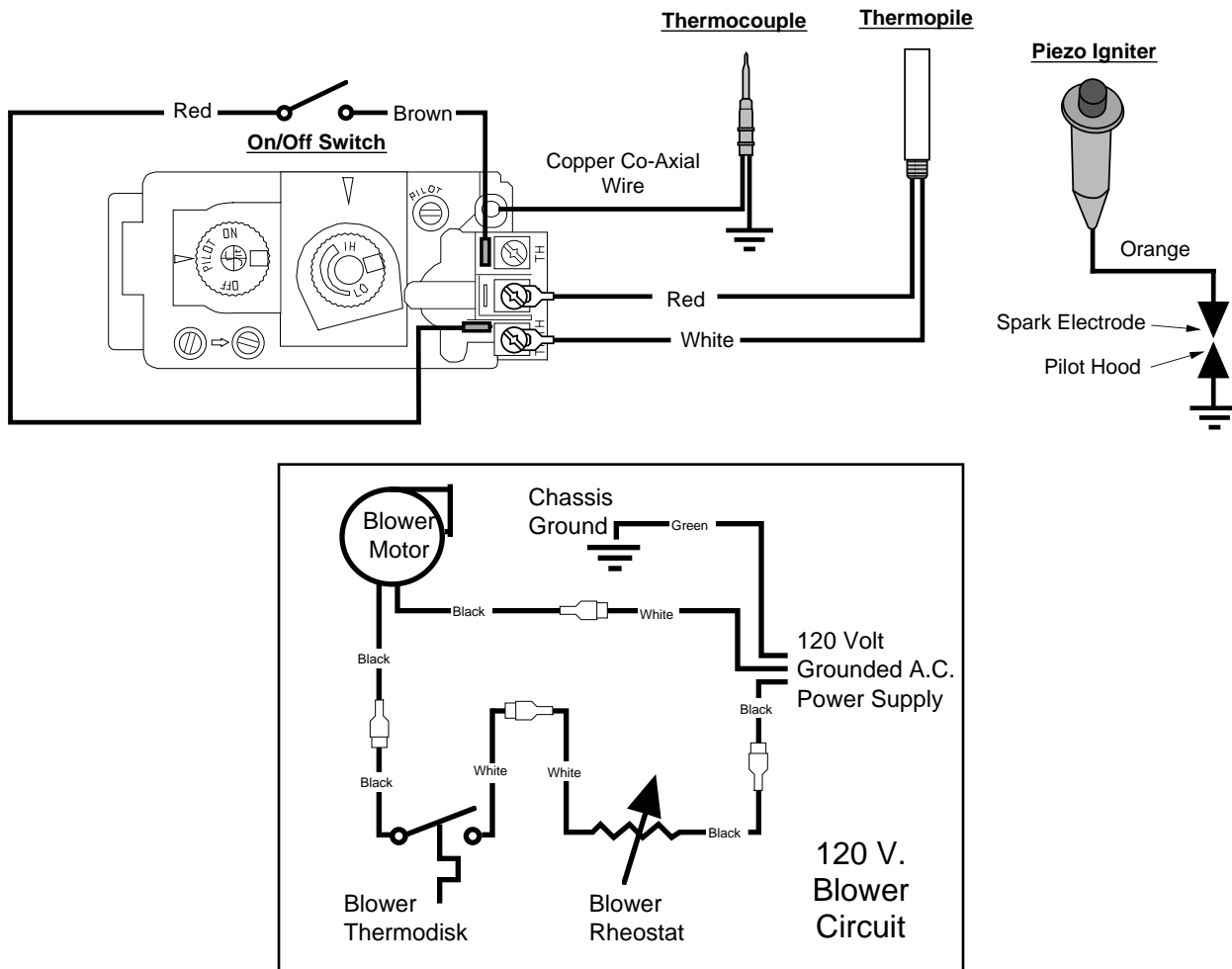
Thermocouple

The thermocouple generates a small amount of electricity. If the pilot flame goes out, the gas valve automatically shuts off all gas.

Ceramic Glass

The glass in your heater is the most durable glass available. It has been tested to be extremely resistant to breakage from temperature changes.



Wiring Diagram

Caution: Label all wires prior to disconnection when servicing controls. Wiring errors can cause improper and dangerous operation.

Replacement Parts List

Caution: Use only Travis Industries replacement parts. Do not use substitute materials.

Warning: Do not operate appliance with the glass front removed, cracked, or broken. Replacement of the glass should be done by a licensed or qualified service person.

|

Safety Label

The safety (listing) label is on a plate chained to the gas control valve. A of the safety label is shown to the rig

Tested & Listed by

 Underwriters Laboratories, Inc.
 Report No. 028-S-1065

DMS Fireplace
 Listed Vented Gas Fireplace Heater



Tested and certified by QMII Test Laboratories, Inc. to the combustion performance and construction requirements of 21, 800-1996, "Vented Gas Fireplace Heater" and UL 2076, "Gas Burning Heating Appliances for Manufactured Homes".

Must be installed in accordance with all local codes, if any. If none, follow the National Fuel Gas Code, ANSI Z223.1. This appliance equipped only for altitudes 0-2000 feet. This vented fireplace heater is designed for use with a vent system that meets the requirements of the International Fuel Gas Code, ANSI Z223.1, and the National Fuel Gas Code, ANSI Z223.1. This appliance is designed to operate on natural gas, or propane (LP). This appliance uses a millivolt-type control system consisting of a gas control valve/regulator, a standing pilot burner assembly, a thermopile, a piezo ignitor, and the ON/OFF switch. THIS UNIT DOES NOT REQUIRE 110 VOLT POWER TO OPERATE. All exhaust gases must be vented outside the structure of the living area. Combustion air is drawn from outside the living area structure. This appliance is only for use with the type of gas indicated on the rating plate and may be installed in an area made previously vented, manufactured (mobile) home where not prohibited by local codes. See owner's manual for details. This appliance is not convertible for use with other gases. Conversion kit is sold.

WARNINGS:
 Operation of this appliance when not connected to a properly installed and maintained venting system or tampering with the blocked vent shaft/ system can result in carbon monoxide (CO) poisoning and possible death.

Improper installation, adjustment, alteration, service or maintenance can cause injury or property damage. Refer to the information in the owner's and installation manual provided with this appliance. For assistance or additional information consult a qualified installer, service agency, or the gas supplier.
 Installation and repair should be performed by a qualified service person. The appliance should be inspected before use and at least annually by a qualified service person. More frequent cleaning may be required. See owner's manual for details. The burner compartment and the burner orifice should be inspected before use and at least annually by a qualified service person. Due to high temperatures, the appliance should be located out of traffic and away from furniture and draperies.
 This appliance must not be connected to a chimney flue serving a separate solid fuel burning appliance.
 Vented Gas Fireplace Heater-Not for Use With Solid Fuel.

Young children should be alerted to the hazards of high surface temperature and should stay away to avoid flash burns or clothing ignition.
 Young children should be carefully supervised at all times when they are in the same room as the appliance.

CAUTION:
 Do not operate this appliance with glass removed, cracked or broken. Replacement of the panel(s) should be done by a licensed or qualified service person.
 Hot when in operation. Do not touch. Keep children, clothing, furniture, gasolene and other liquids (including flammable vapors) away.
 For more information on safety, see the owner's manual. See installation instructions accompanying appliance.
 Use Simpson DURA-VENT direct vent system (Model GS) to vent this appliance to the exterior (direct discharge only without duct connection).

Minimum Clearances to Combustibles

Faceplate to Sidewall.....	6"	Mantle Height Above Faceplate.....	17"
Front of Unit.....	36"	Side Facing to Faceplate.....	6"
		Top Facing to Faceplate.....	12"
		Hearth Extension Front.....	12"
		Hearth Extension Sides.....	0"

	LP	M.G.	LP	M.G.
Input Rate on "HI" (BTU/Hr)*	31,000	31,000	11"	5.5"
Input Rate on "LO" (BTU/Hr)*	16,000	18,600	13"	7"
Main Burner Orifice (DMS)*0625	#37	10"	3.5"
Manifold Pressure on "HI" (Inches W.C.)			10"	3.5"
Manifold Pressure on "LO" (Inches W.C.)			2.7"	1"

This room heater is equipped at the factory for use with natural gas. If conversion to propane (LP) fuel is desired the optional factory conversion kit must be used.

Blower Electrical Rating: 115v, 1.5 Amps, 60 Hz FAN TYPE VENTED CIRCULATOR

Manufacture	2003	2004	2005	Jan.	Feb.	Mar.	Apr.	May	Jun.	Jul.	Aug.	Sep.	Oct.	Nov.	Dec.
Date:															


 Travis Industries, Inc.
 10859 117th Pl. N.E. Kirkland, WA 98033
 0301 (IGN)

To register your TRAVIS INDUSTRIES, INC. 7 Year Warranty, complete the enclosed warranty card and mail it within **ten (10)** days of the appliance purchase date to: TRAVIS INDUSTRIES, INC., 10850 117th Place N.E., Kirkland, Washington 98033. TRAVIS INDUSTRIES, INC. warrants this gas appliance (appliance is defined as the equipment manufactured by Travis Industries, Inc.) to be defect-free in material and workmanship to the original purchaser from the date of purchase as follows:

Years 1 & 2 - COVERAGE: PARTS & LABOR

Burner Assembly:

Burner, Burner Pan, Air Shutter Assembly, Main Burner Orifice

Firebox Assembly:

Adjustable Air Restrictor, Pressure Relief Mechanisms, Barometric Control Mechanism (for models with Remote Heat Ducts), Glass Attachment Mechanism

Electrical Assembly (within heater structure):

Blower, wiring harness, snap discs, rheostat speed control

Gold, Nickel & Copper Plating

Face & Door (see "Conditions and Exclusions" # 9)

Gas Control Assembly

Adjustable control valve, millivolt wiring and connectors (located within the metal heater structure), thermopile, thermocouple, pilot hood, orifices, pilot gas line, piezo ignitor

Ceramic Glass

Glass (breakage from thermal shock)

Ceramic Logs

Log Set, Coals, Ember Strip (Steel Fiber)

Accessories

Cast Brick, Cast Firebacks, Power Heat Ducts, Andirons

Convection Heat Exchanger

Re-Installation Allowance

In cases where heater must be removed from home for repairs, a partial cost of re-installation is covered (pre-authorization required)

One-Way Freight Allowance

One-way freight allowance on pre-authorized repair done at factory is covered.

Exclusions: Paint, Gasketing

Years 3 THROUGH 5 - COVERAGE: PARTS & LABOR

Convection Heat Exchanger

Firebox Assembly:

Adjustable Air Restrictor, Pressure Relief Mechanisms, Barometric Control Mechanism (for models with Remote Heat Ducts), Glass Attachment Mechanism

One-Way Freight Allowance

One-way freight allowance on pre-authorized repair done at factory is covered.

Exclusions: Paint, Gasketing, Burner Assembly, Electrical Assembly, Gas Control Assembly, Ceramic Glass, Ceramic Logs, Gold, Nickel & Copper Plating, Accessories, Re-Installation Allowance

Years 6 & 7 - COVERAGE: PARTS ONLY

Firebox Assembly:

Adjustable Air Restrictor, Pressure Relief Mechanisms, Barometric Control Mechanism (for models with Remote Heat Ducts), Glass Attachment Mechanism

Exclusions: Paint, Gasketing, Burner Assembly, Electrical Assembly, Gas Control Assembly, Ceramic Glass, Ceramic Logs, Gold, Nickel & Copper Plating, Accessories, Convection Heat Exchanger, Re-Installation Allowance, One-Way Freight Allowance, Labor

CONDITIONS & EXCLUSIONS

- This new gas appliance must be installed by a qualified gas appliance technician. It must be installed, operated, and maintained at all times in accordance with the instructions in the Owner's Manual. Any alteration, willful abuse, accident, neglect, or misuse of the product shall nullify this warranty.
- This warranty is nontransferable, and is made to the ORIGINAL purchaser, provided that the purchase was made through an authorized TRAVIS dealer.
- Discoloration and some minor expansion, contraction, or movement of certain parts and resulting noise, is normal and not a defect and, therefore, not covered under warranty. The installer must ensure the appliance is burning as per the rating tag at the time of installation. Over-firing (operation above the listed BTU rate) of this appliance can cause serious damage and will nullify this warranty.
- The warranty, as outlined within this document, does not apply to the chimney components or other Non-Travis accessories used in conjunction with the installation of this product. If in doubt as to the extent of this warranty, contact your authorized TRAVIS retailer before installation.
- Travis Industries will not be responsible for inadequate performance caused by environmental conditions such as nearby trees, buildings, roof tops, wind, hills or mountains or negative pressure or other influences from mechanical systems such as furnaces, fans, clothes dryers, etc.
- This Warranty is void if:
 - The unit has been operated in atmospheres contaminated by chlorine, fluorine or other damaging chemicals.
 - The unit is subject to submersion in water or prolonged periods of dampness or condensation.
 - Any damage to the unit, combustion chamber, heat exchanger or other components due to water, or weather damage which is the result of, but not limited to, improper chimney/venting installation.
- Exclusions to this 7 Year Warranty include: injury, loss of use, damage, failure to function due to accident, negligence, misuse, improper installation, alteration or adjustment of the manufacturer's settings of components, lack of proper and regular maintenance, damage incurred while the appliance is in transit, alteration, or act of God.
- This 7 Year warranty excludes damage caused by normal wear and tear, such as paint discoloration or chipping, worn or torn gasketing, corroded or cracked logs, embers, etc. Also excluded is damage to the unit caused by abuse, improper installation, modification of the unit, drilling of the orifices, or the use of fuel other than that for which the unit is configured. Units are shipped for natural gas and must be converted to propane using the included conversion kit. Confirm fuel configuration with your installer.
- Damage to gold or nickel surfaces caused by fingerprints, scratches, melted items, or other external sources left on the gold or nickel from the use of cleaners other than denatured alcohol is not covered in this warranty.
- TRAVIS INDUSTRIES, INC. is free of liability for any damages caused by the appliance, as well as inconvenience expenses and materials. Incidental or consequential damages are not covered by this warranty. In some states, the exclusion of incidental or consequential damage may not apply.
- This warranty does not cover any loss or damage incurred by the use or removal of any component or apparatus to or from the gas appliance without the express written permission of TRAVIS INDUSTRIES, INC. and bearing a TRAVIS INDUSTRIES, INC. label of approval.
- Any statement or representation of TRAVIS products and their performance contained in TRAVIS advertising, packaging literature, or printed material is not part of this 7 year warranty.
- This warranty is automatically voided if the appliance's serial number has been removed or altered in any way. If the appliance is used for commercial purposes, it is excluded from this warranty.
- No dealer, distributor, or similar person has the authority to represent or warrant TRAVIS products beyond the terms contained within this warranty. TRAVIS INDUSTRIES, INC. assumes no liability for such warranties or representations.
- Travis Industries will not cover the cost of the removal or re-installation of hearths, facing, mantels, venting or other components.
- If for any reason any section of this warranty is declared invalid, the balance of the warranty remains in effect and all other clauses shall remain in effect.
- THIS 7 YEAR WARRANTY IS THE ONLY WARRANTY SUPPLIED BY TRAVIS INDUSTRIES, INC., THE MANUFACTURER OF THE APPLIANCE. ALL OTHER WARRANTIES, WHETHER EXPRESS OR IMPLIED, ARE HEREBY EXPRESSLY DISCLAIMED AND PURCHASER'S RECOURSE IS EXPRESSLY LIMITED TO THE WARRANTIES SET FORTH HEREIN.**

IF WARRANTY SERVICE IS NEEDED:

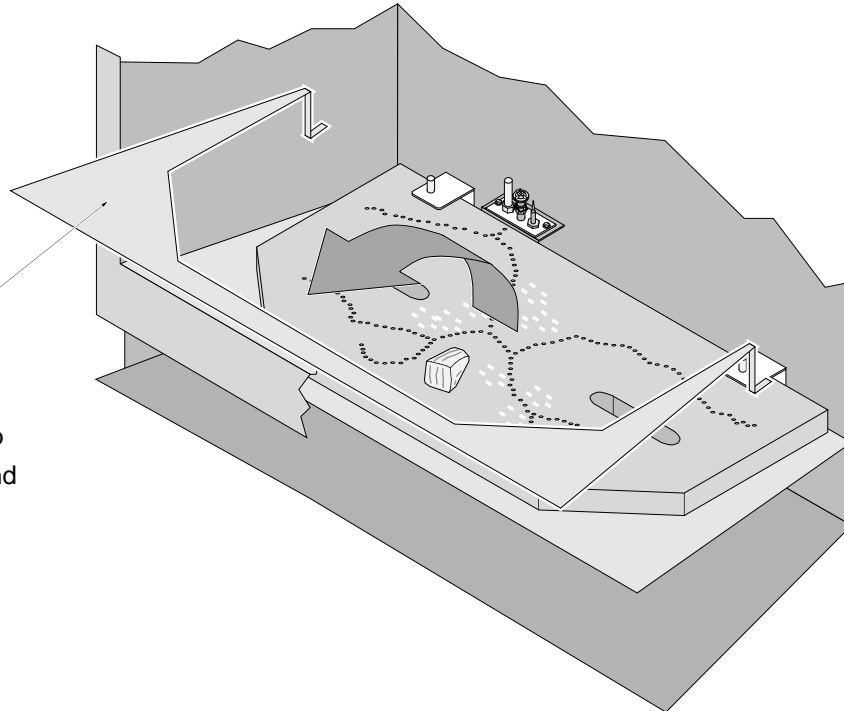
- If you discover a problem that you believe is covered by this warranty, you **MUST REPORT** it to your TRAVIS dealer **WITHIN 30 DAYS**, giving them proof of purchase, the purchase date, and the model name and serial number.
- Travis Industries has the option of either repairing or replacing the defective component.
- If your dealer is unable to repair your appliance's defect, he may process a warranty claim through TRAVIS INDUSTRIES, INC., including the name of the dealership where you purchased the appliance, a copy of your receipt showing the date of the appliance's purchase, and the serial number on your appliance. At that time, you may be asked to ship your appliance, freight charges prepaid, to TRAVIS INDUSTRIES, INC. TRAVIS INDUSTRIES, INC., at its option, will repair or replace, free of charge, your TRAVIS appliance if it is found to be defective in material or workmanship within the time frame stated within this 7 year warranty. TRAVIS INDUSTRIES, INC. will return your appliance, freight charges (years 1 to 5) prepaid by TRAVIS INDUSTRIES, INC., to your regional distributor, or dealership.
- Check with your dealer in advance for any costs to you, when arranging a warranty call. Dealers may require you to pay a service or trip charges for any warranty work. This charge can vary from store to store.

LP Conversion Instructions

Install the conversion kit prior to installing the gas line to ensure proper gas use.

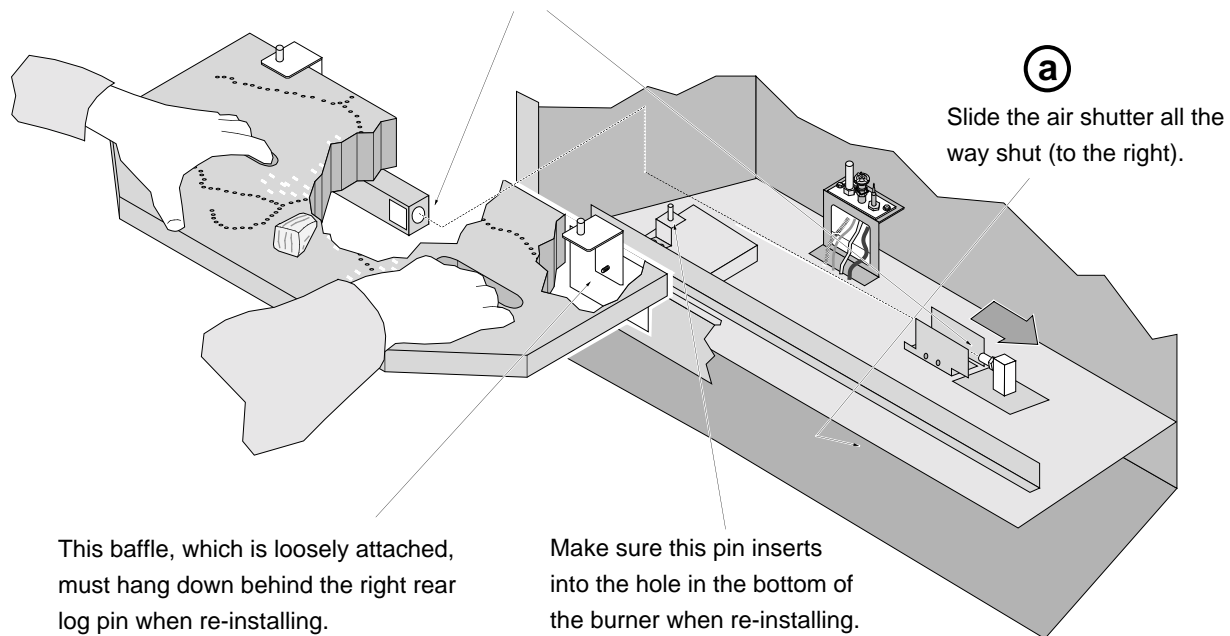
- 1 Remove the glass (see page 25). Remove the logs and coals (if installed - page 26)
- 2 Reach into the firebox and remove the ember shelf (see the illustration to the right).

Remove the ember shelf. Note: when in place, there is a gap between the shelf and the burner.



- 3 Remove the burner (see illustration below).

(b) Lift slightly on the burner and slide it to the left so the mixing tube slides off the orifice.



(a) Slide the air shutter all the way shut (to the right).

This baffle, which is loosely attached, must hang down behind the right rear log pin when re-installing.

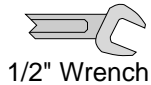
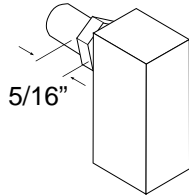
Make sure this pin inserts into the hole in the bottom of the burner when re-installing.

40 Optional Equipment

(for qualified installers only)

- 4 Follow the directions below to remove the natural gas orifice. Apply thread sealant to the LP orifice (.0625 dia. - it has ".0625" stamped on it) and tighten in place with a 1/2" open end wrench. Replace the spring. Slide the adjustable shutter back in place.

Use a 1/2" open end wrench to unscrew the burner orifice.

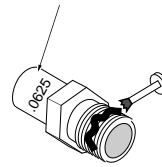


1/2" Wrench

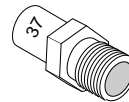
NOTE:

Screw the LP orifice in so the orifice shoulder protrudes 5/16" (indicating full insertion).

The new LP orifice has ".0625" stamped on it.



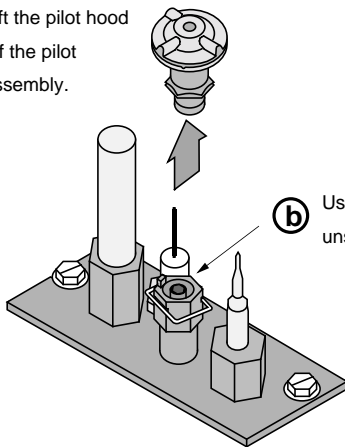
Apply thread sealant to the new orifice and install.



The old NG orifice has "37" stamped on it.

- 5 Replace the burner pan and ember shelf.
- 6 Remove the pilot orifice following the instructions below. Replace with the propane pilot orifice.

- a Lift the pilot hood off the pilot assembly.

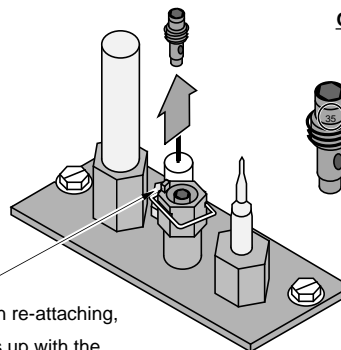


- b Use a hex wrench to unscrew the orifice.



5/32" Hex

- c Remove the orifice and replace with the LP orifice. Screw the orifice all the way in and replace the pilot hood.



Orifice Identification:

LP (Propane) Orifice

35

NG (Natural Gas) Orifice

62

NOTE: when re-attaching, this pin lines up with the notch in the pilot hood.

- 7 Replace the pilot assembly (follow the instructions in step 6 in reverse order). Make sure the pilot assembly gasket is placed correctly.
- 8 Install the logs and embers. Replace the glass.

Optional Equipment (for qualified installers only) 41

- 9 Remove the regulator from the front of the gas control valve. Replace with the propane regulator, using the new gasket and screws included with the regulator. **NOTE: Leak test this area after the heater is installed, gas is connected, and the main burner is lit.**

(a) Remove and discard the three screws using a slotted screwdriver or Torx T-20.

(b) Remove and discard the regulator, diaphragm, spring and center post.

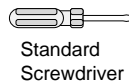
(c) Install the LP regulator. Use the screws included with the LP regulator. Tighten to approximately 25 Lbs. torque.

(d) Place the LP label on the base of the fireplace near the gas control valve.

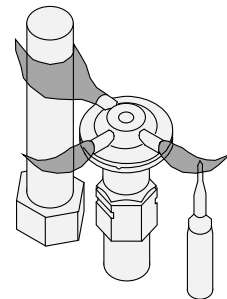
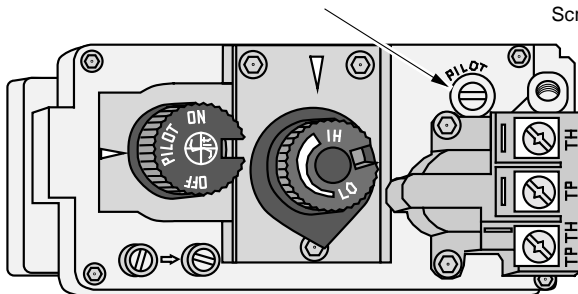
NOTE: Make sure the regulator gasket is correctly aligned before installation.

- 10 Make the gas line connection, start the heater and thoroughly leak-test all gas connections and the regulator. Check the pilot. Adjust if necessary.

To adjust the pilot flame, turn this screw (NOTE: if totally unscrewed gas will come out of this port). Clockwise lowers the flame while counter-clockwise raises it.



The pilot flame must contact the thermocouple and thermopile (see the illustration below). Adjust the pilot up or down as necessary.



Approved Vent Configurations.....	18	Installation Options	6
Adjusting the Blower Speed.....	32	Items Required for Installation.....	7
Adjusting the Flame Height	31	Leaking Gas	See Inst. on Cover
Air Shutter Adjustment.....	27	Listing Information	37
Altitude Considerations.....	17	Location of Controls.....	29
Blower Control.....	32	Log Set Installation and Removal	26
BTU Input.....	6	Maintenance	33
BTU Output.....	6	Mantel Requirements.....	16
Cap (see vent termination).....	22	Measuring Vent Lengths.....	18
Chimney Cap (see vent termination).....	22	Noise (see Normal Operating Sounds)	32
Chimney Installation (see Vent Requirements)....	17	Normal Operating Sounds.....	32
Clearances.....	8	Packing List.....	7
Condensation on Glass.....	31	Pilot Flame Inspection.....	27
Corner Installation.....	9	Piping Installation (see Gas Line Install).....	23
Dimensions.....	6	Raised Fireplaces	9
Dura-Vent (part numbers).....	17	Restrictor Position	18
Elbows.....	18	Safety Label.....	37
Electrical Connection.....	24	Safety Precautions	4
Face Dimensions.....	13	Starting The Pilot.....	30
Face Installation.....	27	Starting the Fireplace for the First Time.....	31
Facing Requirements.....	11	Turning the Fireplace On and Off.....	31
Finalizing the Installation.....	25	Vent Length (see "Vent Configuration").....	18
Floor Protection (see "Hearth Requirements")....	10	Vent Part Numbers	18
Framing Dimensions	8	Vent Requirements	17
Fuel.....	23	Vertical Vent Termination Requirements	22
Gas Control Valve (Location).....	29	Warnings.....	4
Gas Inlet Pressure.....	23	Warranty.....	38
Gas Line Connection	23	Water on Glass (see Condensation)	31
Gas Line Install.....	23	Weight.....	6
Gas Smell.....	See Inst. on Cover	What Prevents Gas Buildup.....	35
Glass Installation and Removal	25	What Turns the Main Burners On and Off.....	35
Glass, Glass Gasket.....	25	Wiring Diagram.....	36
Hearth Requirements.....	10	Yearly Service Procedure.....	33
Heating Specifications	6		
Horizontal Vent Termination Requirements	22		
How this Fireplace Works.....	35		