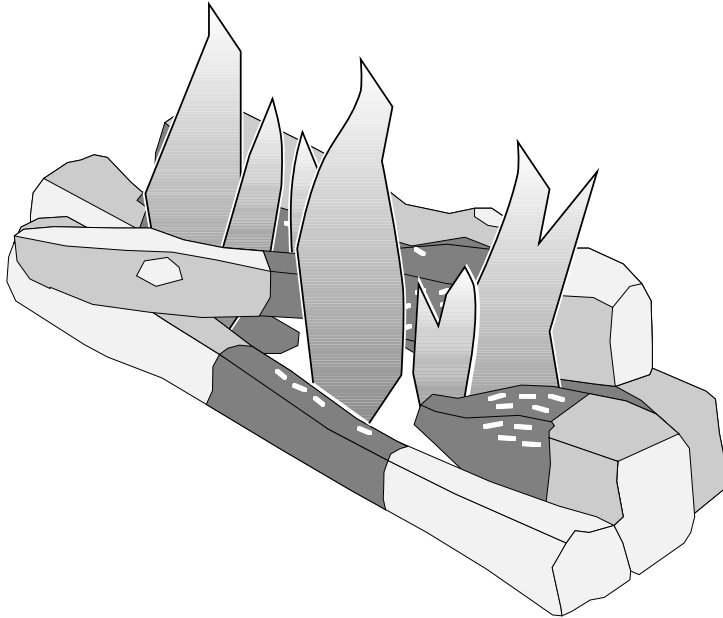




Travis Industries

Advancing the Art of Fire



Featuring the



Burner

Tested and Listed by



OMNI-Test Laboratories, Inc.
Beaverton, Oregon
Report # 028-S-23B-5
ANSI Z21.88

- Built-In Direct Vent Fireplace
- Natural Gas or Propane
- Residential or Mobile Home

WARNING: If the information in these instructions is not followed exactly, a fire or explosion may result causing property damage, personal injury or loss of life.

- Do not store or use gasoline or other flammable vapors and liquids in the vicinity of this or any other appliance.

WHAT TO DO IF YOU SMELL GAS

- Do not try to light any appliance.
- Do not touch any electrical switch; do not use any phone in your building.
- Immediately call gas supplier from a neighbor's phone. Follow the gas supplier's instructions.
- If you cannot reach your gas supplier, call the fire department.
- Installation and service must be performed by a qualified installer, service agency or the gas supplier.

This appliance may be installed as an OEM installation in a manufactured (mobile) home and must be installed in accordance with the manufacturer's instructions and the manufactured home construction and safety standard, Title 24 CFR, Part 3280.

This appliance is only for use with the type(s) of gas indicated on the rating plate. A conversion kit is supplied with the appliance.

DVL Fireplace EF

Installer: After installation give this manual to the home-owner and explain operation of this fireplace.

\$10.00 © Copyright 2003, T.I. Part # 100-01147
4030207

 **Travis Industries, Inc.**
10850 117th Place N.E. Kirkland, WA 98033

Introduction

We welcome you as a new owner of a Travis Industries gas fireplace. In purchasing this fireplace you have joined the growing ranks of concerned individuals whose selection of an energy system reflects both a concern for the environment and aesthetics. The Travis Industries DVL EF Fireplace is one of the finest home heaters the world over. This manual will explain the installation, operation, and maintenance of this fireplace. Please familiarize yourself with the Owner's Manual before operating your heater and save the manual for future reference. Included are helpful hints and suggestions that will make the operation and maintenance of your new fireplace an easier and more enjoyable experience. We offer our continual support and guidance to help you achieve the maximum benefit and enjoyment from your heater.

Important Information

No other DVL EF gas fireplace has the same serial number as yours. The serial number is below and to the left of the gas control valve.

This serial number will be needed in case you require service of any type.

Model: _____ DVL EF Fireplace _____

Serial Number: _____

Purchase Date: _____

Purchased From: _____

Mail your Warranty Card Today, and Save Your Bill of Sale.

To receive full warranty coverage, you will need to show evidence of the date you purchased your heater. Do not mail your Bill of Sale to us.

We suggest that you attach your Bill of Sale to this page so that you will have all the information you need in one place should the need for service or information occur.

Introduction

Introduction & Important Information.....2

Safety Precautions

Safety Precautions4

Features & Specifications

Features6
 Installation Options.....6
 Heating Specifications.....6
 Dimensions.....6

Installation

Installation Warning.....7
 Packing List.....7
 Additional Items Required for Installation.....7
 Installation Overview.....7
 Fireplace Placement Requirements.....8
 Minimum Framing Dimensions8
 Clearances8
 Corner Installations9
 Raised Fireplaces.....9
 Hearth Requirements.....10
 Facing Requirements.....11
 Facing Over 1" Thick.....11
 Facing Detail.....12
 Face Dimensions13
 Modifying the Face Angle.....14
 Facing & Hearth Examples.....15
 Mantel Requirements.....17
 Vent Requirements.....18
 Altitude Considerations18
 Clearances18
 Use of 8" Dia. Pipe.....18
 Vent Installation.....19
 Approved Vent Configurations.....20
 Restrictor Position.....20
 Measuring Vent Lengths.....20
 Vertical Terminations (with/ without offsets)..21
 Vertical Terminations with 2 90° Elbows.....22
 Horizontal Terminations w/ 1 Vertical Elbow ..23
 Horizontal Terminations w/ 3 Vertical Elbows.24
 Vent Termination Requirements25
 Gas Line Requirements.....26
 Fuel.....26
 Gas Line Connection.....26
 Gas Inlet Pressure26
 Electrical Connection.....27

Finalizing the Installation

1 Glass Removal (& installation).....28
 2 Log & Coal Installation29
 3 Purge Gas Line and Replace the Glass30
 4 Faceplate Installation.....30
 5 Leak Test.....30
 6 Pilot Adjustment (if necessary).....30
 7 Air Shutter Adjustment (if necessary)30
 8 Check Flame.....31
 9 Explain Operation to Home-Owner.....31

Operation

Before You Begin.....32
 Location of Controls32
 Starting The Pilot33
 Starting the Fireplace for the First Time.....34
 Turning the Fireplace On and Off.....34
 Adjusting the Flame Height.....34
 Adjusting the Blower Speed.....35
 Normal Operating Sounds.....35
 Normal Operating Odors.....35

Maintenance

Yearly Service Procedure.....36
 Troubleshooting Table.....37
 How this Fireplace Works.....38
 What Turns the Main Burners On and Off.....38
 What Prevents Gas Buildup.....38
 Wiring Diagram39
 Replacement Parts List.....39

Safety Label

Safety (Listing) Label.....40

Warranty

Warranty.....41

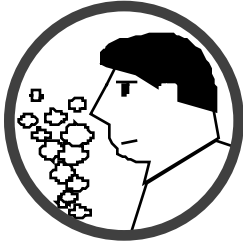
Optional Equipment

LP Conversion Kit42

Index

Index.....44

Safety Precautions

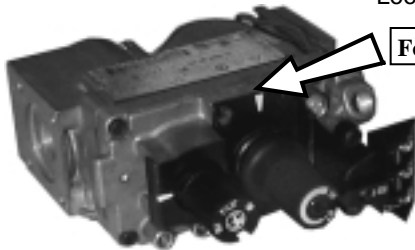


• IF YOU SMELL GAS:

- * Do not light any appliance
- * Extinguish any open flame
- * Do not touch any electrical switch or plug or unplug anything
- * Open windows and vacate building
- * Call gas supplier from neighbor's house, if not reached, call fire department



- This unit must be installed by a qualified installer to prevent the possibility of an explosion. Your dealer will know the requirements in your area and can inform you of those people considered qualified. The room heater should be inspected and cleaned before use and at least annually by a qualified service person. More frequent cleaning may be required due to excessive lint from carpeting, bedding material, etc.
- The instructions in this manual must be strictly adhered to. Do not use makeshift methods or compromise in the installation. Improper installation will void the warranty and safety listing.



Look for this label:

For LPG only | Pout 11" W.C.

If the label is present, the heater is equipped for LP (propane). If the label is absent, the heater is equipped for NG (natural gas).

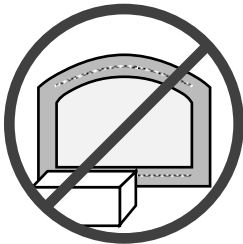
- This heater is either approved for natural gas (NG) or for propane (LP). Burning the incorrect fuel will void the warranty and safety listing and may cause an extreme safety hazard. Direct questions about the type of fuel used to your dealer. Check the label and flame adjust knob on the gas control valve.



- Contact your local building officials to obtain a permit and information on any installation restrictions or inspection requirements in your area. Notify your insurance company of this heater as well.



- If the flame becomes sooty, dark orange in color, or extremely tall, do not operate the heater. Call your dealer and arrange for proper servicing.



- It is imperative that control compartments, screens, or circulating air passageways of the heater be kept clean and free of obstructions. These areas provide the air necessary for safe operation.



- Do not operate the heater if it is not operating properly in any fashion or if you are uncertain. Call your dealer for a full explanation of your heater and what to expect.



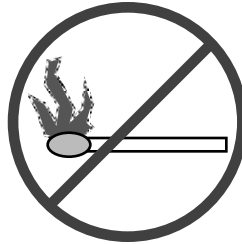
- Do not store or use gasoline or other flammable liquids in the vicinity of this heater.



- Do not operate if any portion of the heater was submerged in water or if any corrosion occurs. Immediately call a qualified service technician to inspect the appliance and to replace any part of the control system and any gas control wash has been under water.



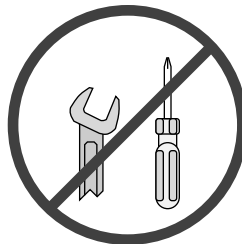
- Do not place clothing or other flammable items on or near the heater. Because this heater can be controlled by a thermostat there is a possibility of the heater turning on and igniting any items placed on or near it.



- Light the heater using the built-in piezo igniter. Do not use matches or any other external device to light your heater.
- Never remove, replace, modify or substitute any part of the heater unless



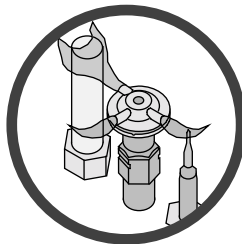
- The viewing glass should be opened only for lighting the pilot or conducting service. Do not operate with cracked, broken, or removed glass.
- Any safety screen or guard removed for servicing must be replaced prior to operating the heater.



- instructions are given in this manual. All other work must be done by a trained technician. Don't modify or replace orifices.
- Allow the heater to cool before carrying out any maintenance or cleaning.



- Operate the heater according to the instructions included in this manual.
- If the main burners do not start correctly turn the gas off at the gas control valve and call your dealer for service.



- The pilot flame must contact the thermopile and thermocouple (see the illustration to the left). If it does not, turn the gas control valve to "OFF" and call your dealer.



- This unit is not for use with solid fuel
- Do not place anything inside the firebox (except the included fiber logs).
- If the fiber logs become damaged, replace with Travis Industries log set.



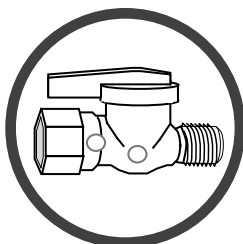
- Do not throw this manual away. This manual has important operating and maintenance instructions that you will need at a later time. Always follow the instructions in this manual.



- Do not touch the hot surfaces of the heater. Educate all children of the danger of a high-temperature heater. Young children should be supervised when they are in the same room as the heater.



- Keep all furniture or other combustible items at least 36" away from the front of the fireplace (this includes drapes or doors that may swing within 36" of the front of the fireplace).



- Instruct everyone in the house how to shut gas off to the appliance and at the gas main shutoff valve. The gas main shutoff valve is usually next to the gas meter or propane tank and requires a wrench to shut off.



- Travis Industries, Inc. grants no warranty, implied or stated, for the installation or maintenance of your heater, and assumes no responsibility of any consequential damage(s).**

Features:

- Works During Power Outages (millivolt system)
- High Efficiency
- Optional Thermostat or Remote Control
- Realistic "Wood Fire" Look
- Quiet Blower for Effective Heat Distribution
- Convenient Operating Controls
- Variable-Rate Heat Output
- Low Maintenance

Installation Options:

- Residential or Mobile Home
- Straight or Corner Placement
- Flush or Recessed Face
- Raised or Floor Hearth
- Internal or External Chase
- Horizontal or Vertical Vent
- Bedroom Approved

Heating Specifications:

Approximate Heating Capacity (in square feet)*
 Maximum BTU Input Per Hour
 Minimum BTU Output on Low
 Steady State Efficiency** (with blowers on)
 AFUE (Annual Fuel Utilization Efficiency)

Natural Gas

Up to 2,000
 40,000
 17,250
 Up to 82%
 68%

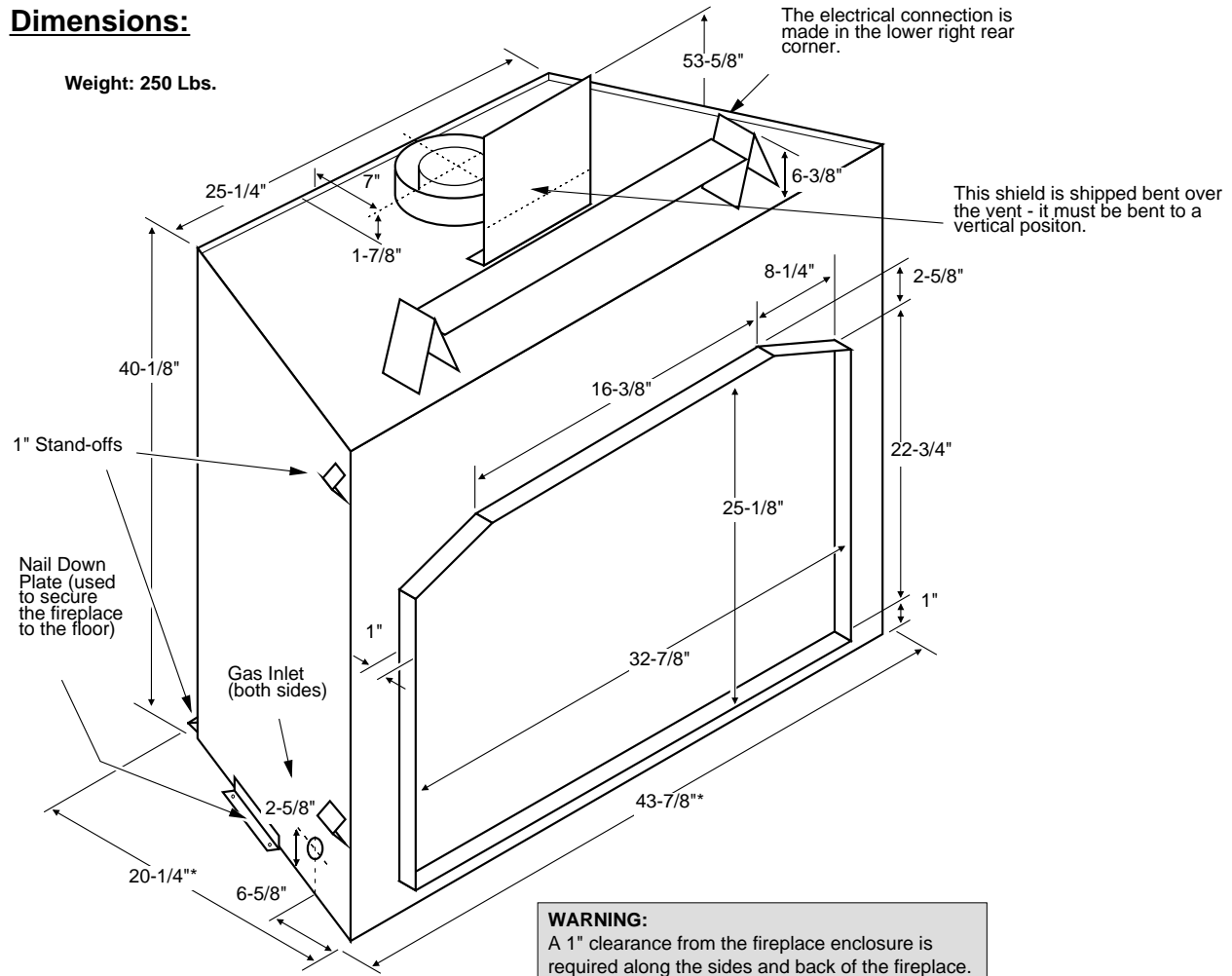
Propane

Up to 2,000
 40,000
 20,600
 Up to 82%
 68%

* Heating capacity will vary with floor plan, insulation, and outside temperature.

** Efficiency rating is a product thermal efficiency rating determined under continuous operation independent of installed system.

Dimensions:



* Includes the 1" stand-offs

WARNING:

A 1" clearance from the fireplace enclosure is required along the sides and back of the fireplace.

Installation Warnings:

- Failure to follow all of the requirements may result in property damage, bodily injury, or even death.
- This heater must be installed by a qualified installer who has gone through a training program for the installation of direct vent gas appliances.
- This appliance must be installed in accordance with all local codes, if any; if not, follow ANSI Z223.1 and NFPA 54(88).
- In Manufactured or Mobile Homes must conform with Manufactured Home Construction and Safety Standard, Title 24 CFR, Part 3280, or, when such a standard is not applicable, the Standard for Manufactured Home Installations, ANSI/NCSCS A225.1. This appliance may be installed in Manufactured Housing only after the home is site located.
- The fireplace is designed to operate on natural gas, or propane (LP).
- All exhaust gases must be vented outside the structure of the living-area. Combustion air is drawn from outside the living-area structure.
- Notify your insurance company before hooking up this fireplace.
- The requirements listed below are divided into sections. All requirements must be met simultaneously. The order of installation is not rigid – the qualified installer should follow the procedure best suited for the installation.

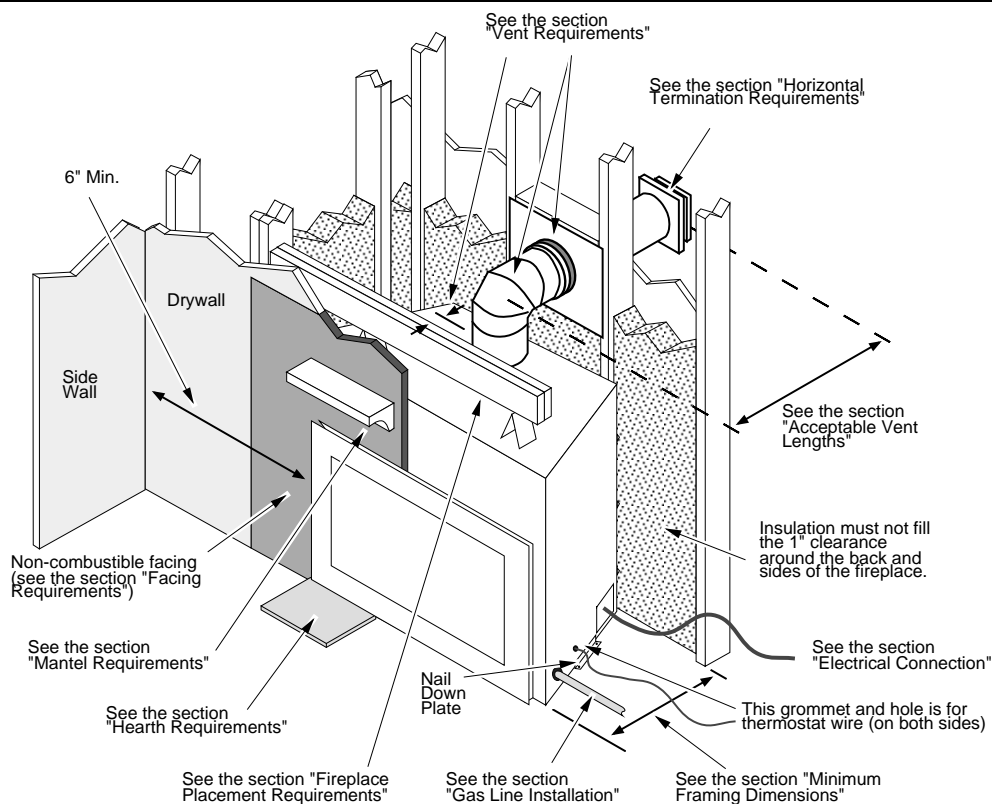
Packing List

- Propane Conversion Kit
- Log Set
- Glass Latch Tool (to un-latch glass frame)
- Firestop
- Fireback Clips (for Ceramic Firebacks Only)

Additional Items Required

- Faceplate
- Direct Vent (Simpson Dura-Vent Ph. # 800 835-4429)
- Gas Line Equipment (shutoff valve, pipe, etc.)
- Electrical Equipment (min. 14 gauge, grounded line)

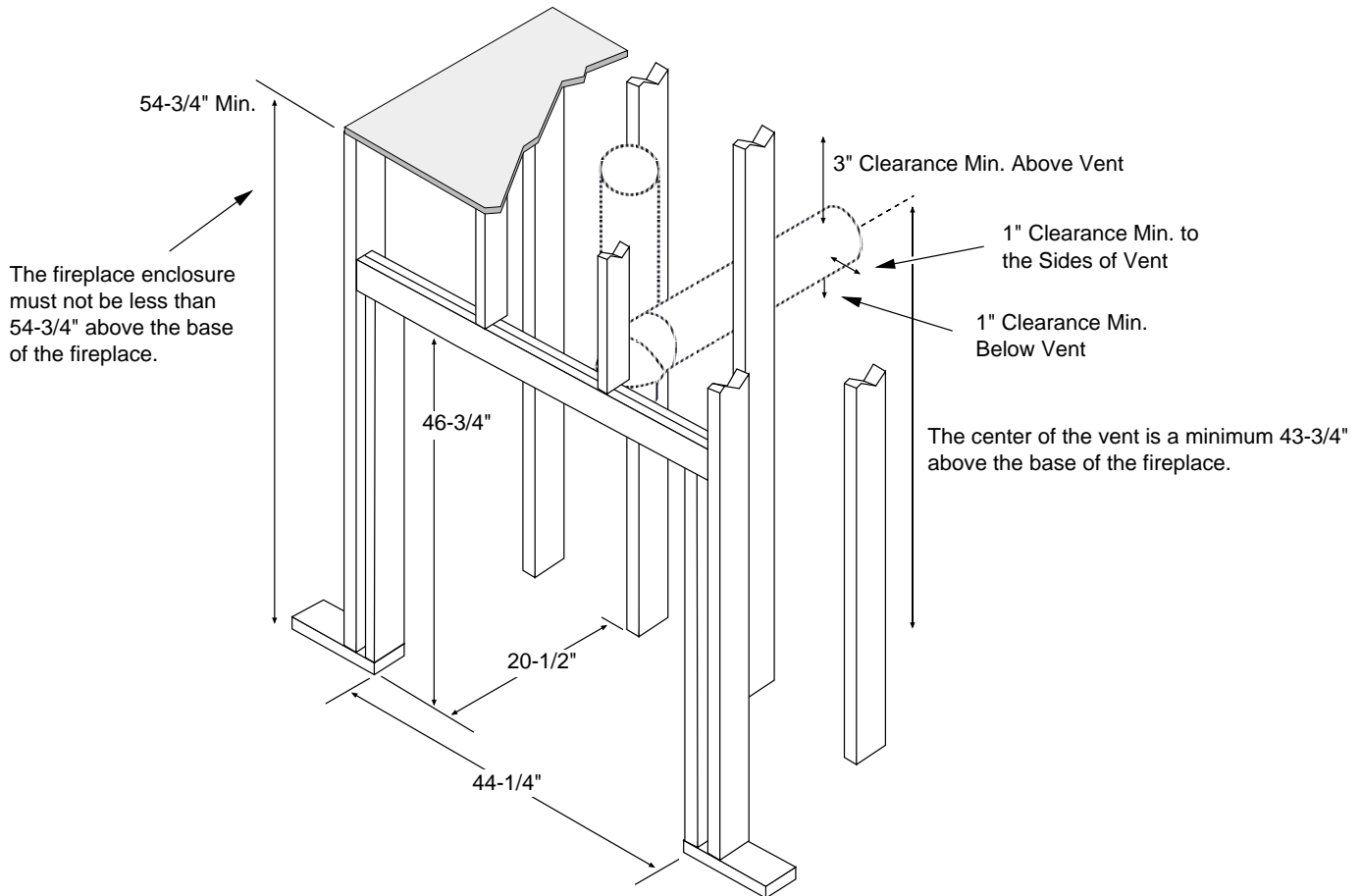
Installation Overview



Fireplace Placement Requirements

Minimum Framing Dimensions

The fireplace requires a 1" space between the fireplace and the framing members (or other materials) along the sides and back of the fireplace. These stand-offs may contact the framing members but no material may be placed between the stand-offs.



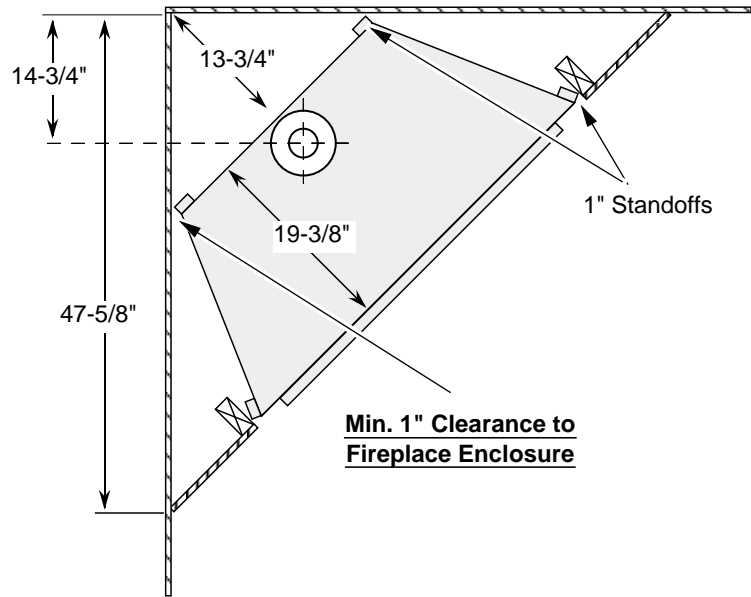
- Fireplace must be installed on a level surface capable of supporting the fireplace and vent
- Fireplace must be placed directly on wood or non-combustible surface (not on linoleum or carpet)
- Due to the high temperature of the fireplace, it should be located out of traffic and away from furniture and draperies.
- This heater may be placed in a bedroom. Please be aware of the large amount of heat this appliance produces when determining a location.

Clearances

- When installed, walls in front of the fireplace must be a minimum 6" to the side of the faceplate.
- Fireplace must be placed so that no combustibles are within, or can swing within 36" of the front of the fireplace (e.g. drapes, doors)
- Fireplace must be placed so the vents below and above the glass do not become blocked

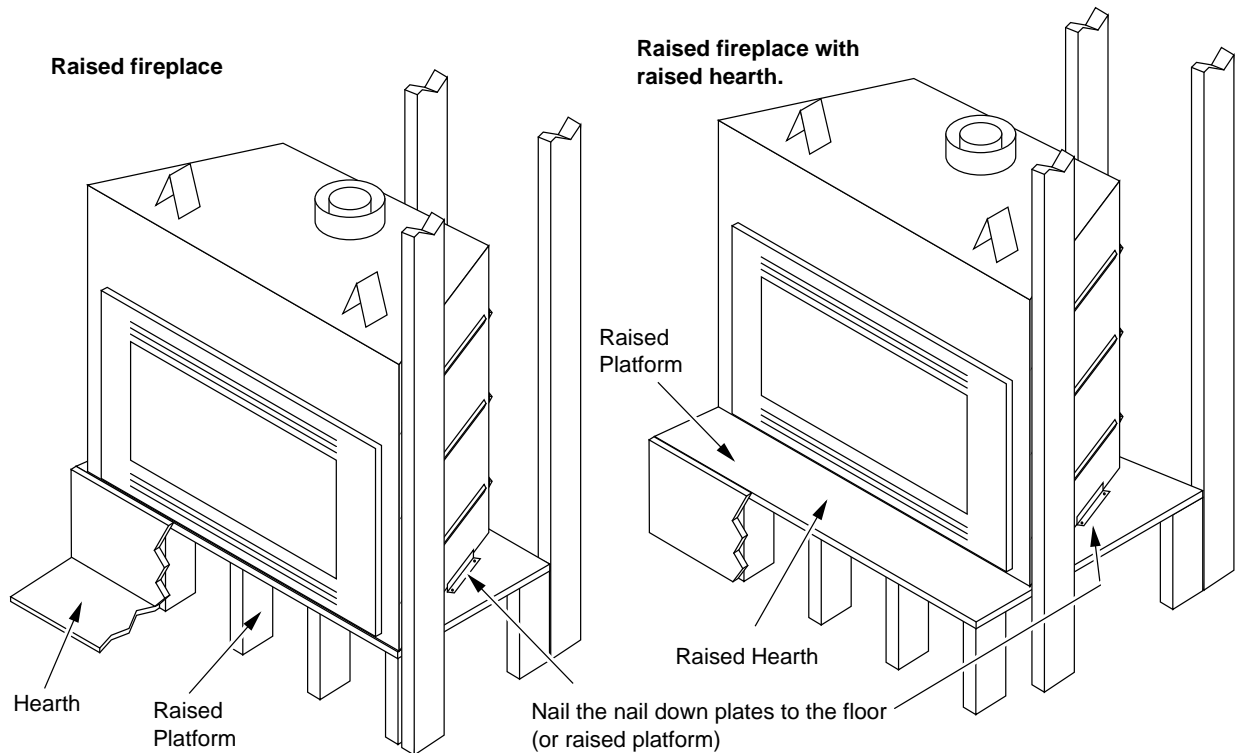
Corner Installations

A typical 45° installation uses the minimum framing dimensions shown in the illustration to the right (NOTE: all clearances still apply).



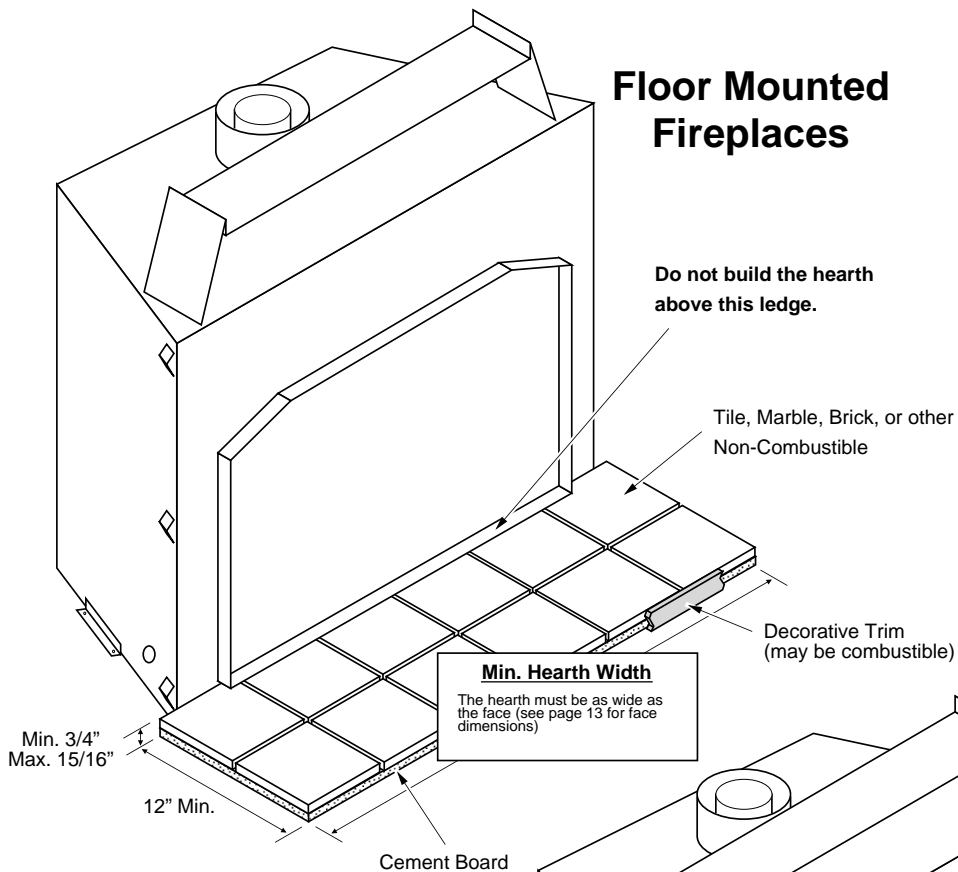
Raised Fireplaces

- The fireplace (and hearth, if desired) may be placed on a platform designed to support the fireplace (250 Lbs.) and vent.
- The fireplace may not be raised so as to place the ceiling within 36" of the base of the fireplace.

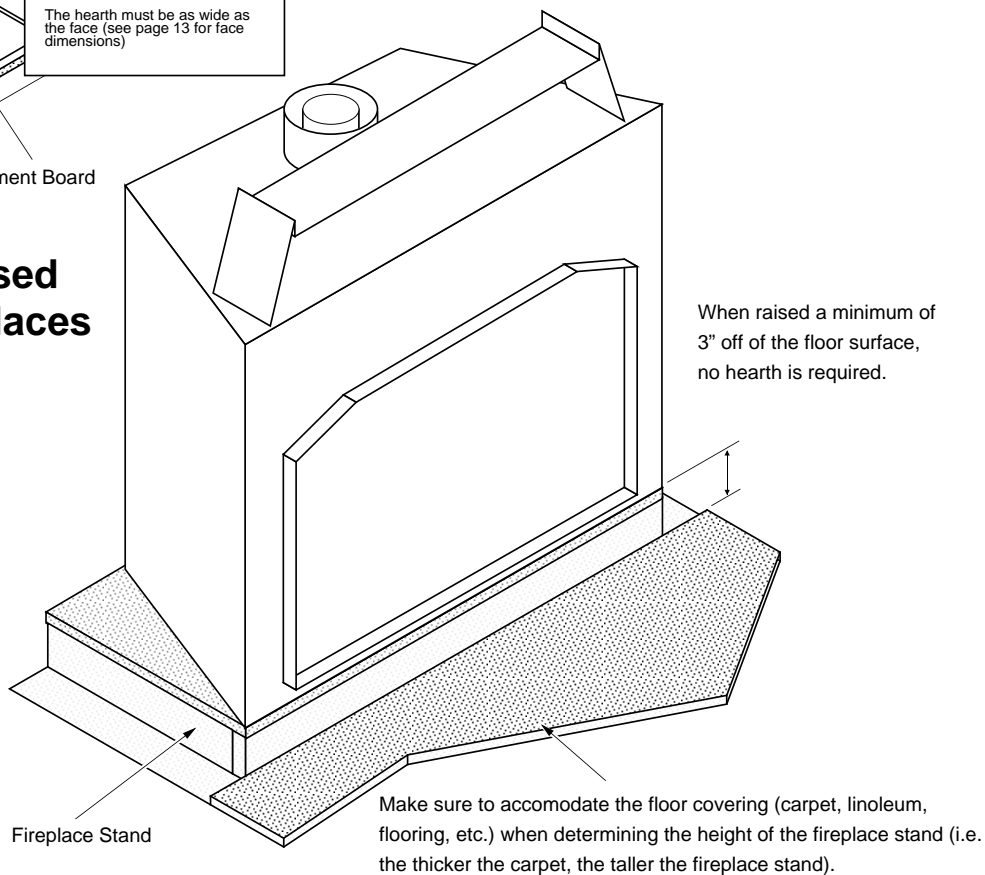


Hearth Requirements

Floor Mounted Fireplaces



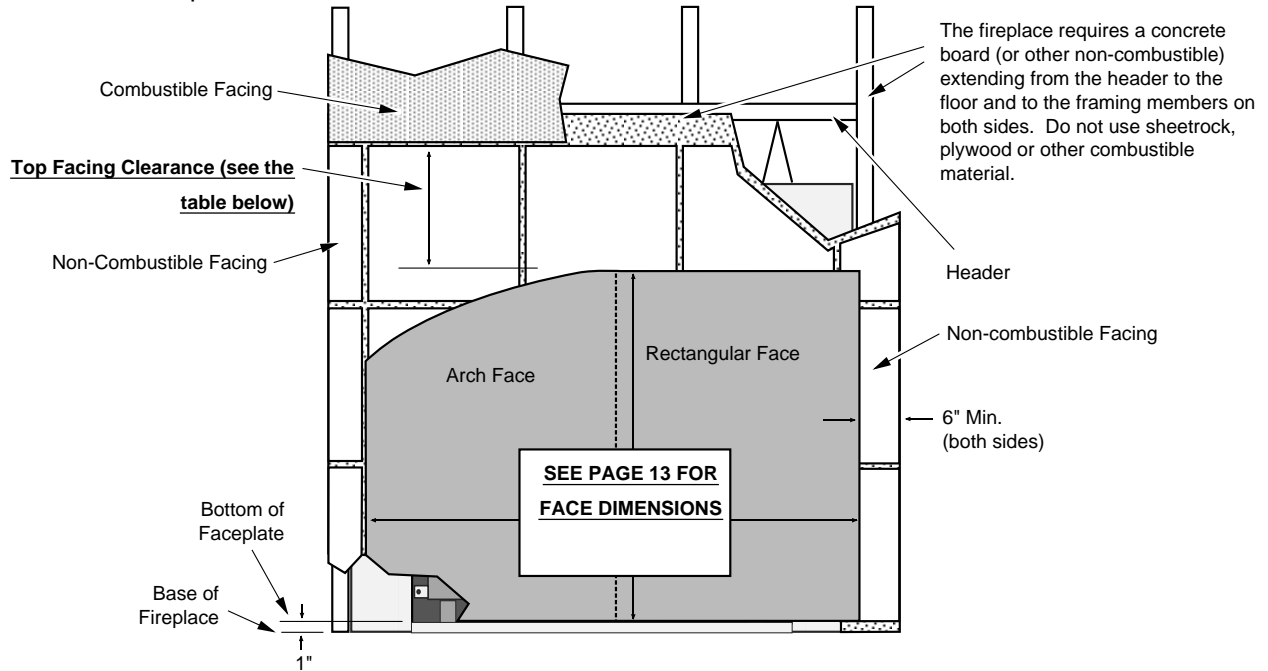
Raised Fireplaces



Facing Requirements

NOTE: The combustible area above the facing must not protrude more than 3/4" from the facing. If it does, it is considered a mantel and must meet the mantel requirements listed in this manual.

NOTE: The facing may be attached to the front of the fireplace with screws. Do not penetrate the fireplace more than 3/4".



Top Facing Clearance:

- Measured From Top of Faceplate (see "Faceplate Dimensions" on page 13)

	8" Max. Mantel Depth	10" Max. Mantel Depth	12" Max. Mantel Depth
Avalon Cambridge	12"	12"	12"
Avalon Craftsman	12"	12"	12"
Avalon Rosario	16"	18"	19"
Avalon Victorian Lace	15"	15"	15"
Avalon Victorian Lace with shield	12"	12"	12"
Avalon Rawhide	15"	15"	15"
Avalon Rawhide with shield	12"	12"	12"
FPX 34 Arch & Artisan	18"	18.5"	19"
FPX 34 Arch & Artisan with shield	13.5"	14"	14.5"
FPX Metropolitan	19.5"	19.5"	19.5"
FPX Metropolitan with shield	15"	15"	15"
FPX Art Deco	19.5"	19.5"	19.5"
FPX Art Deco with shield	12"	12"	12"
FPX Neo-Classic	17.5"	17.5"	17.5"
FPX Neo-Classic with shield	12"	12"	12"
FPX Arts & Crafts	19"	19"	19"
FPX Arts & Crafts with shield	12"	12"	12"
FPX French Country	15.5"	15.5"	15.5"
FPX French Country with shield	12"	12"	12"
Lopi Discovery	13"	13"	13"

Facing Over 1" Thick

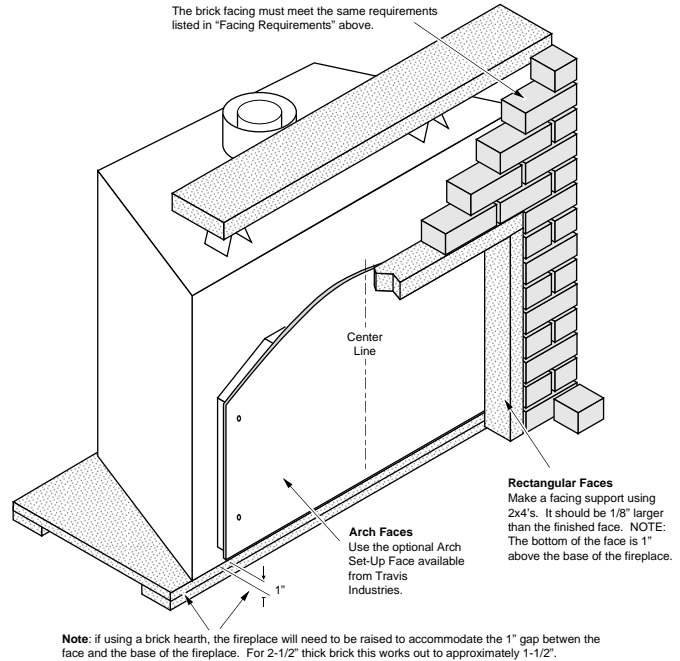
WARNING:

Faces that attach with latch-hooks (Avalon Rosario, Avalon Cambridge, Avalon Salish Bay, Avalon Rawhide, Lopi Discovery, Lopi Heritage Bay, FPX Architectural Faces (all styles), **require a 5/8" gap above the face** for face installation and removal.

- If the facing material is over 1" thick (e.g. brick, river rock), install the facing around the perimeter of the face. You may wish to make a facing support (see the illustration to the right). If using an arch face, you may wish to order the optional set-up face:

34 Arch Set-Up Face is available from Travis Industries (Part # 98500694)

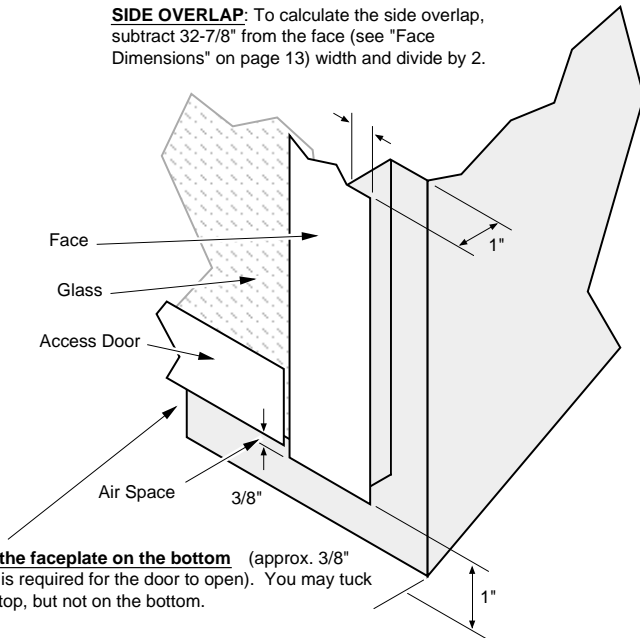
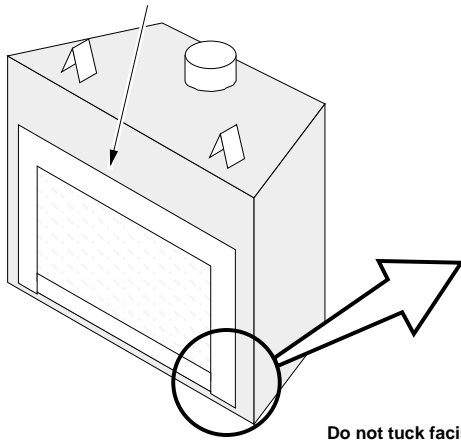
- Artisan faces vary in size. Use the face being installed to create a template.



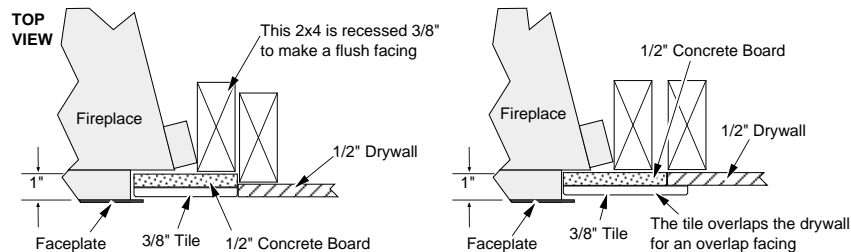
Facing Detail

TOP OVERLAP: To calculate the top overlap, subtract 25-3/8 from the face height (see "Face Dimensions" on page 13) - for arched faces, see the "Dimensions" on page 6 for other details.

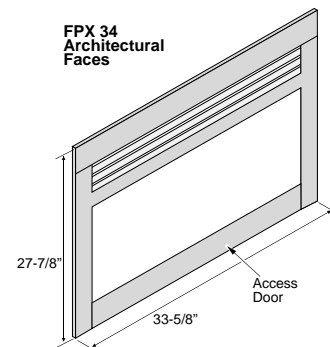
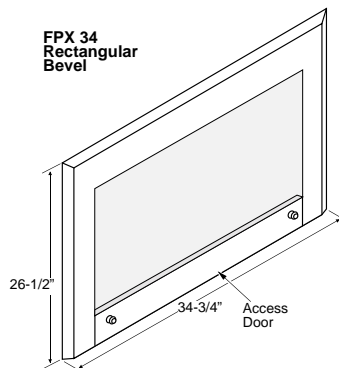
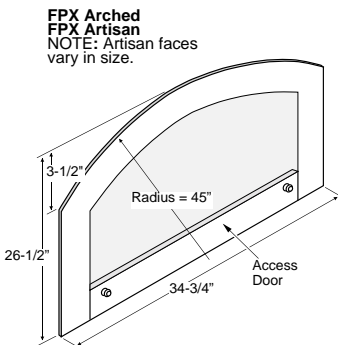
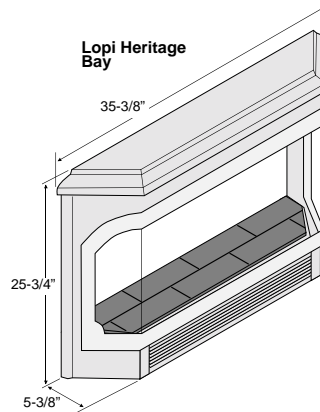
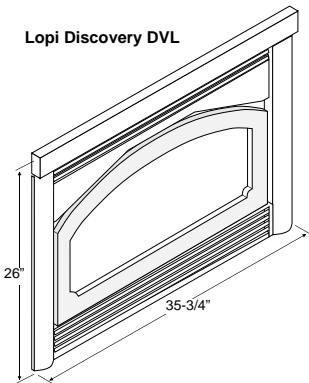
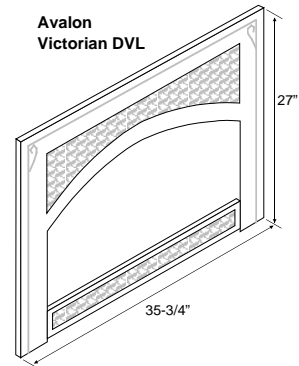
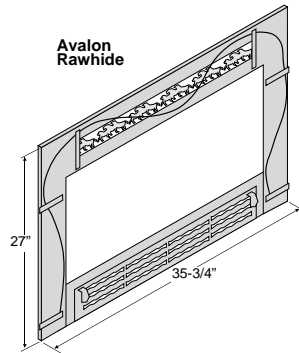
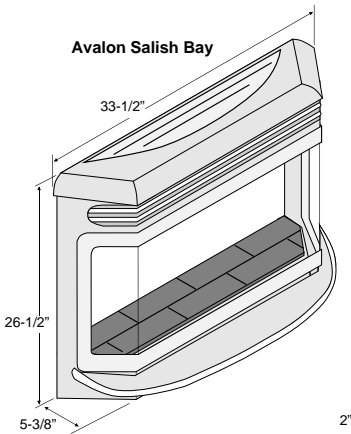
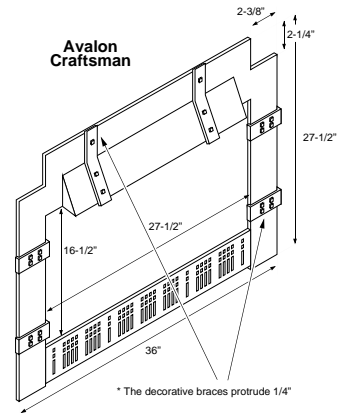
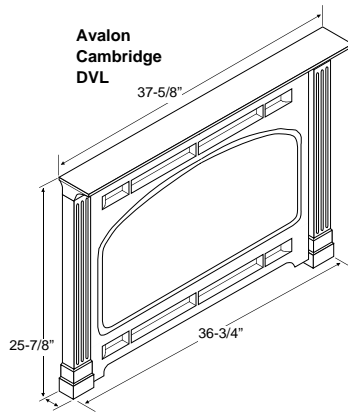
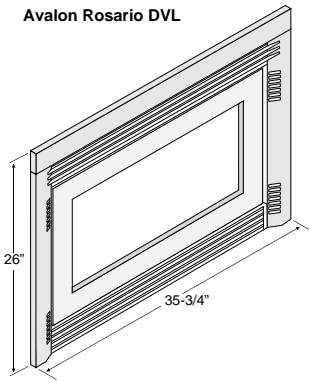
SIDE OVERLAP: To calculate the side overlap, subtract 32-7/8" from the face (see "Face Dimensions" on page 13) width and divide by 2.



- To achieve a facing that is flush with the drywall to the side of the fireplace, recess the framing directly next to the fireplace. See the illustration below.



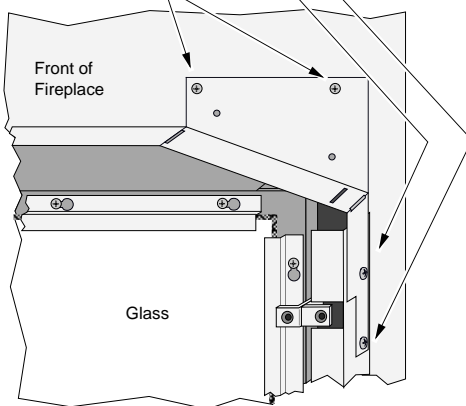
Face Dimensions



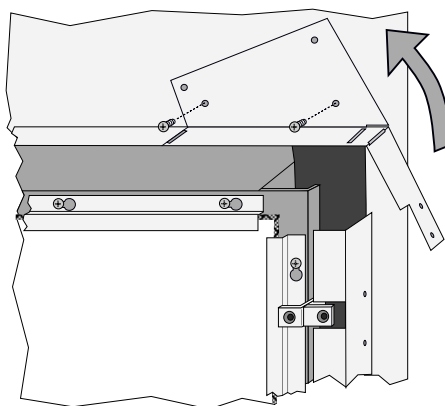
Modifying the Face Angle for Rectangular Faces

If using a rectangular face, adjust the face angles at the top corners of the glass (see the illustration below).

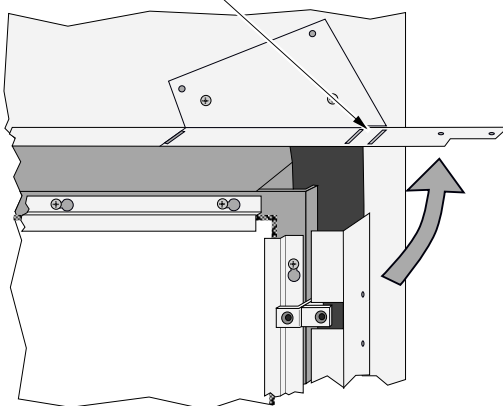
- a** Remove these four screws from the face angle.



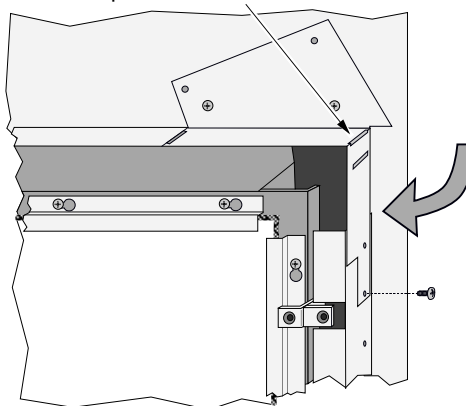
- b** Bend the face angle up and replace the two screws on the upper section.



- c** Straighten the face angle.

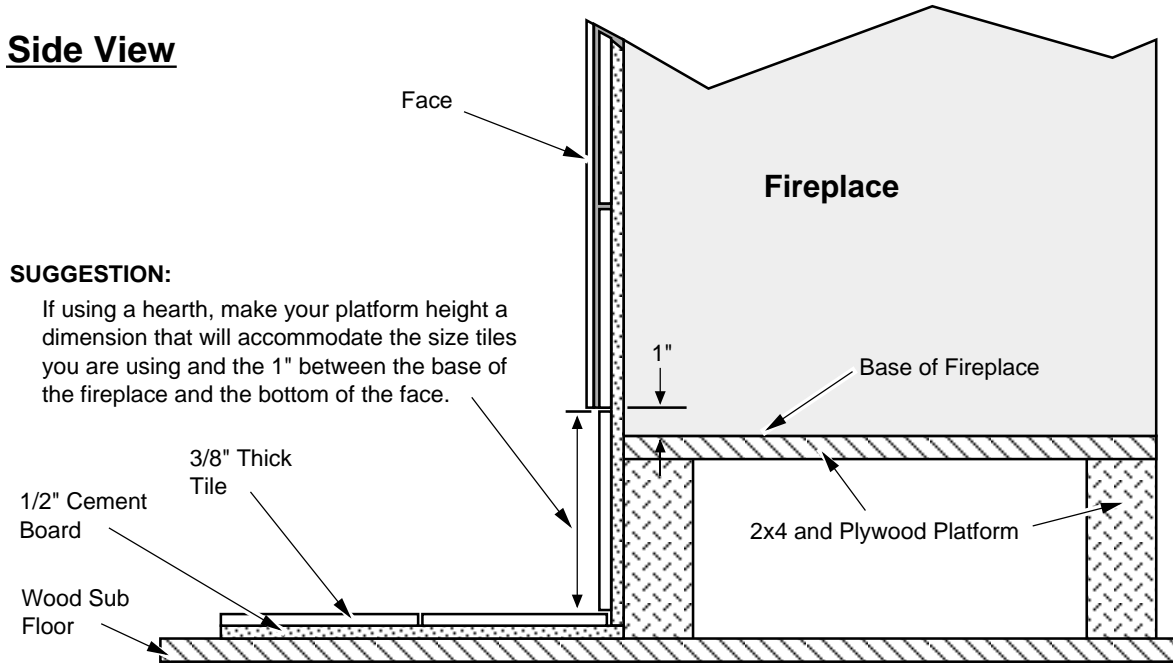


- d** Re-bend the face angle at the inward location and re-attach the lower portion with one screw.



Facing and Hearth Examples

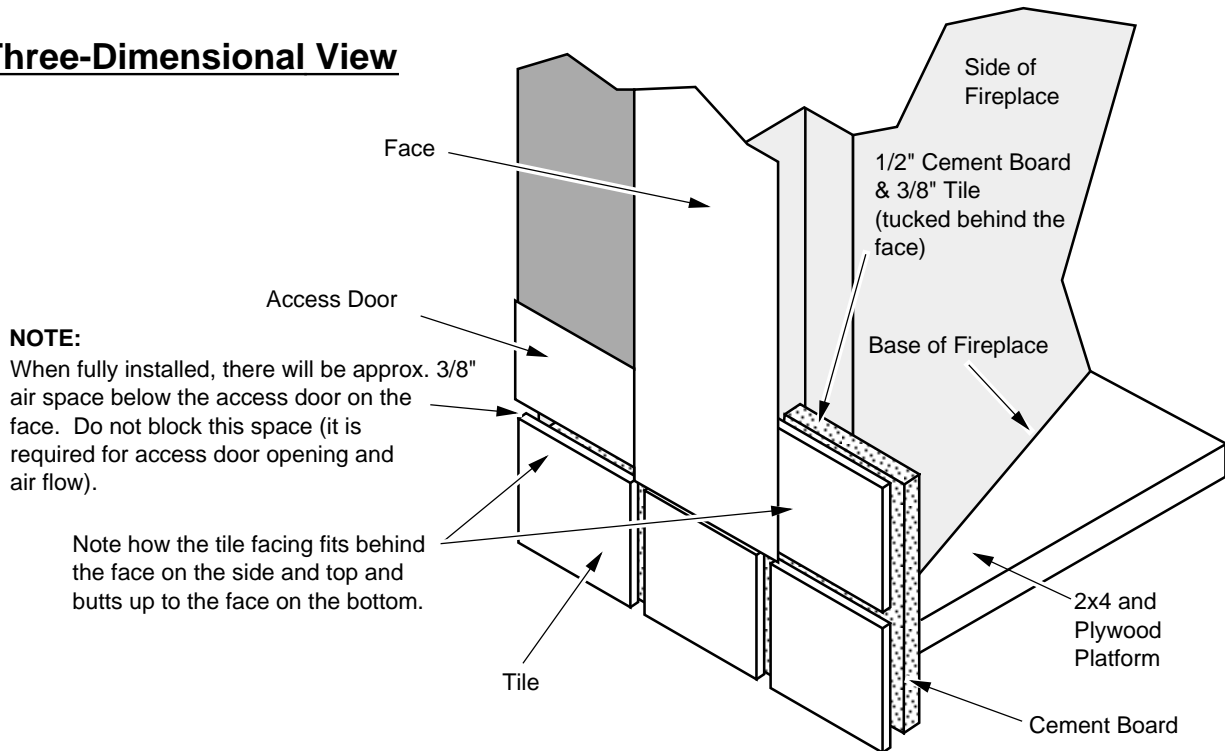
Side View



SUGGESTION:

If using a hearth, make your platform height a dimension that will accommodate the size tiles you are using and the 1" between the base of the fireplace and the bottom of the face.

Three-Dimensional View



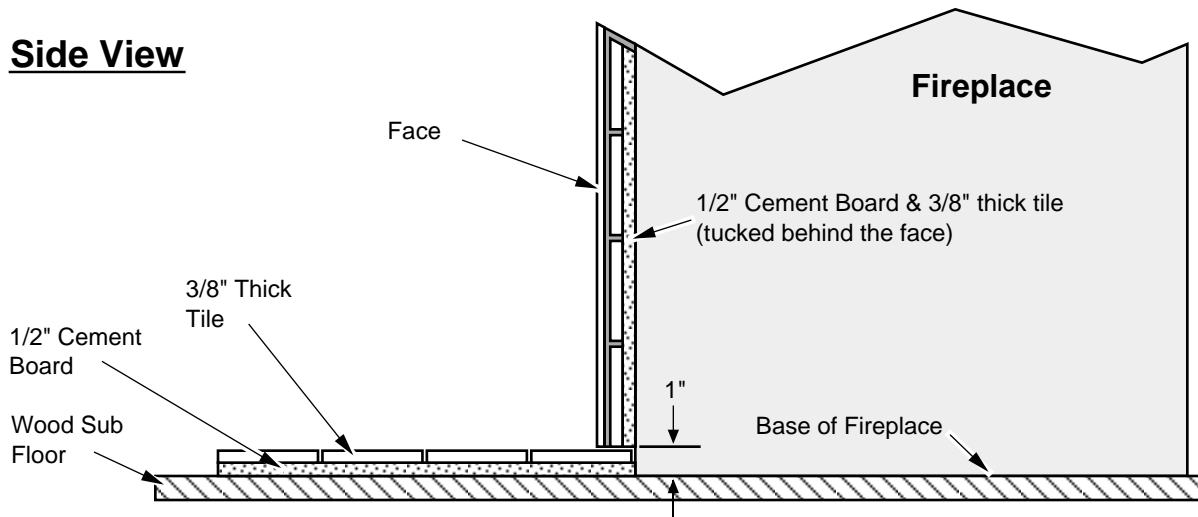
NOTE:

When fully installed, there will be approx. 3/8" air space below the access door on the face. Do not block this space (it is required for access door opening and air flow).

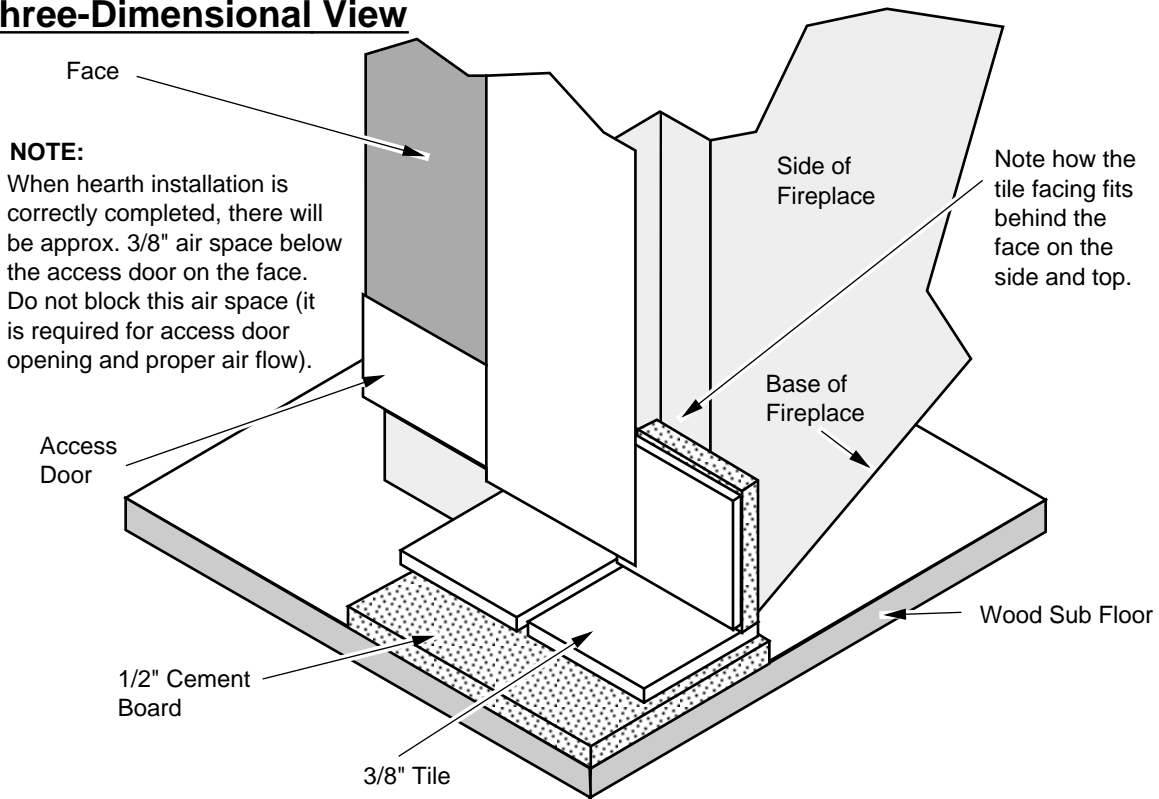
Note how the tile facing fits behind the face on the side and top and butts up to the face on the bottom.

Facing and Hearth Examples (continued)

Side View



Three-Dimensional View

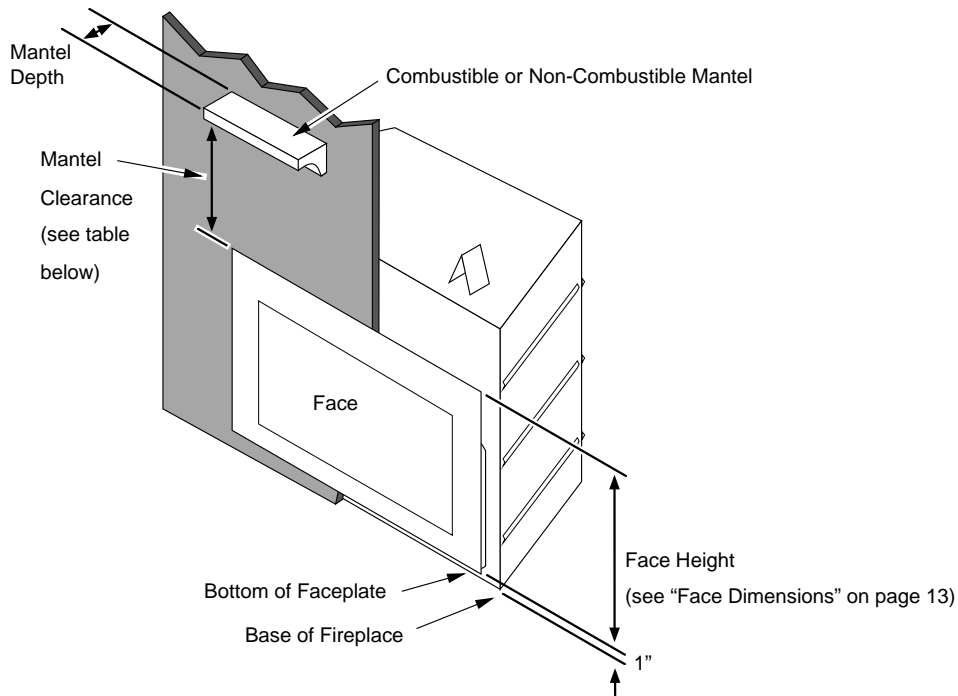


WARNING: Do not install cement board underneath the fireplace. To do so would leave a large gap underneath the finish faceplate sides.

Mantel Requirements

- The combustible area above the facing must not protrude more than 3/4" from the facing. If it does, it is considered a mantel and must meet the mantel requirements listed in this manual.

Combustible or Non-Combustible Mantels



Mantel Clearance:

- Measured From Top of Faceplate (see "Faceplate Dimensions" on page 13)

	8" Max. Mantel Depth	10" Max. Mantel Depth	12" Max. Mantel Depth
Avalon Cambridge	15"	15"	15"
Avalon Craftsman	15"	15"	15"
Avalon Rosario	18"	20"	21"
Avalon Victorian Lace	16"	16"	16"
Avalon Victorian Lace with shield	16"	16"	16"
Avalon Rawhide	16"	16"	16"
Avalon Rawhide with shield	16"	16"	16"
FPX 34 Arch & Artisan	24"	25"	26"
FPX 34 Arch & Artisan with shield	17.5"	18"	18.5"
FPX Metropolitan	24"	24"	24"
FPX Metropolitan with shield	16.5"	16.5"	16.5"
FPX Art Deco	19.5"	19.5"	19.5"
FPX Art Deco with shield	15"	15"	15"
FPX Neo-Classic	19"	19"	19"
FPX Neo-Classic with shield	15"	15"	15"
FPX Arts & Crafts	20"	20"	20"
FPX Arts & Crafts with shield	15"	15"	15"
FPX French Country	16"	18"	19"
FPX French Country with shield	15"	15"	15"
Lopi Discovery	16"	16"	16"

Vent Requirements

- The vent must maintain the required clearance to combustible materials to prevent a fire (see "Clearances" below). Do not fill air spaces with insulation.
- The gas appliance and vent system must be vented directly to the outside of the building, and never be attached to a chimney serving a separate solid fuel or gas-burning appliance. Each direct vent gas appliance must use its own separate vent system.

Altitude Considerations

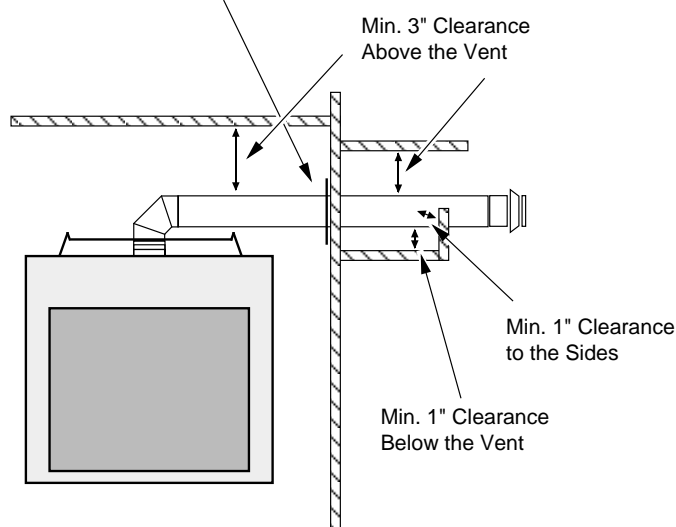
This heater has been tested at altitudes ranging from sea level to 8,000 feet (2,400 M). In this testing we have found that the heater, with its standard orifice, burns correctly with just an air shutter adjustment.

- Failure to adjust the air shutter properly may lead to improper combustion which can create a safety hazard. Consult your dealer or installer if you suspect an improperly adjusted air shutter.

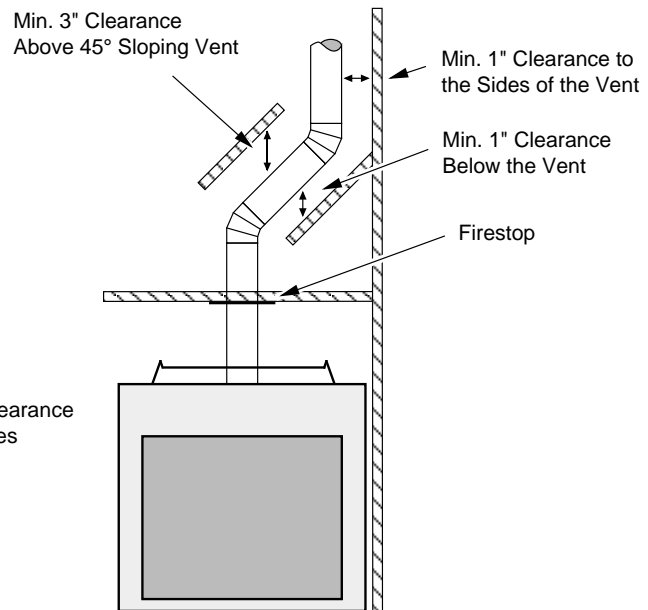
Vent Clearances

Horizontal Runs

The included firestop (Travis part # 93006094) is required when passing through any wall.



Vertical Sections



Approved Vent Components for Top Vent Configuration

- Use 8" diameter Model GS Direct Vent manufactured by Simpson Dura-Vent **only**. Follow the installation instructions included with the vent. For the nearest Simpson Dura-Vent supplier, call (800) 835-4429. Vent part numbers and descriptions are listed below.

Straight Lengths

1208B	6" Pipe Length, Black
1207B	9" Pipe Length, Black
1206B	12" Pipe Length, Black
1204B	24" Pipe Length, Black
1203B	36" Pipe Length, Black
1202B	48" Pipe Length, Black
1211B	11" to 14-5/8" Adjustable, Black

Firestops & Support

93006094	Travis Hor. Firestop (44 DV XXL or DVL FP EF)
1263	Ceiling Firestop
1288	Wall Strap

Terminations

1284	Horizontal Square Termination
1285	Hor. High Wind Termination
1250	Vinyl Siding Stand-off
1291	Travis Vertical Termination

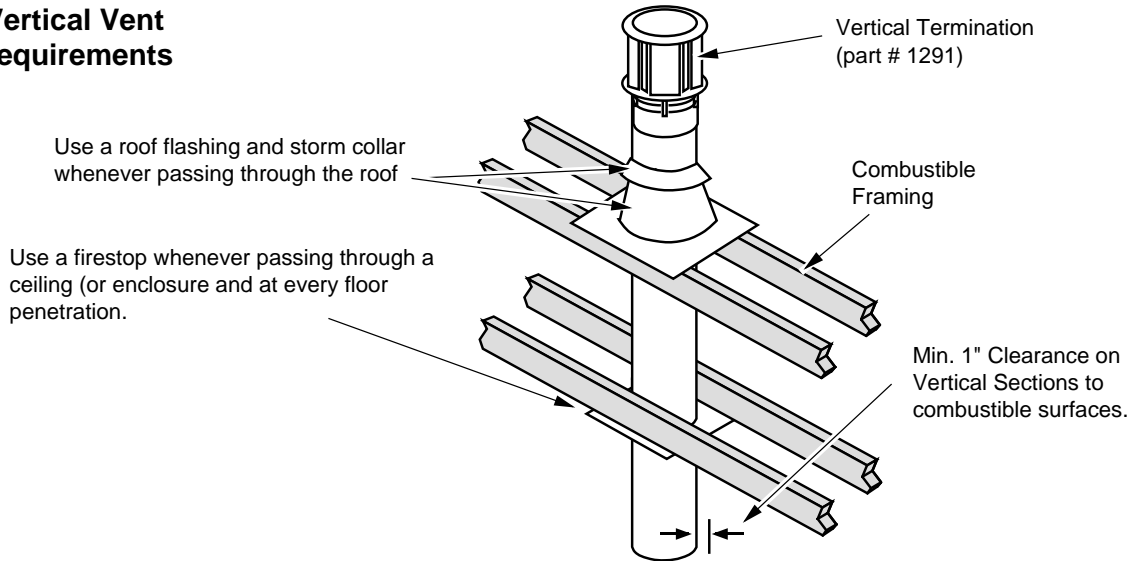
Elbows

1245B	45° Elbow, Black
1290B	90° Elbow, Black

Vent Installation

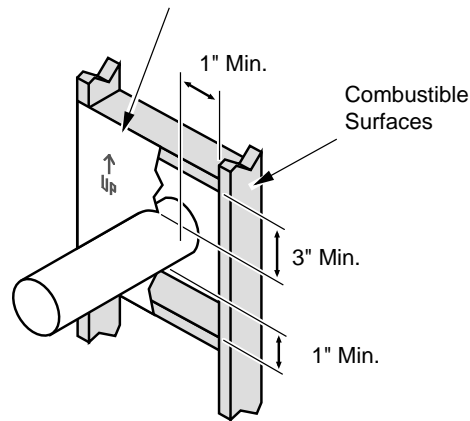
- In addition to the requirements below, follow the requirements provided with the vent.

Vertical Vent Requirements

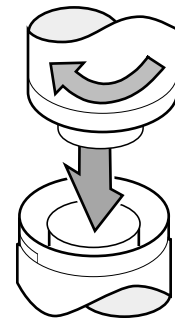


Horizontal Vent Requirements

Use the Travis Firestop (part # 93006094) when passing through a wall. NOTE: make sure the firestop is positioned correctly so the 3" clearance is allowed above the vent.

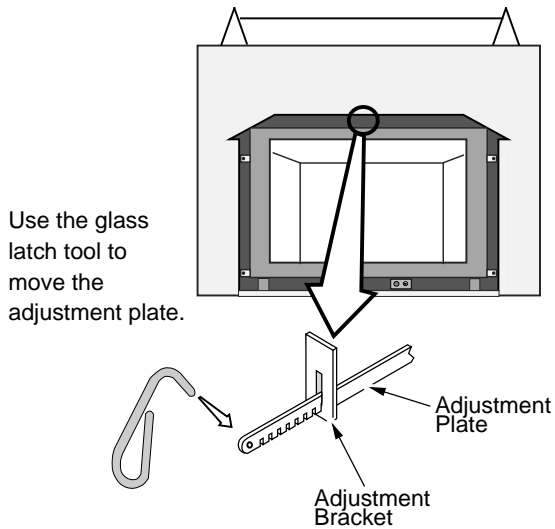


- Slide the vent sections together and turn 1/4 turn until the sections lock in place.
- Screws are not required to secure the vent. However, three screws may be used to secure vent sections together if desired.
- High temperature sealant is recommended at the appliance starter section connection (use high-temperature silicone or Mill-Pac®).
- If disassembly is required, at time of re-assembly check to see if the vent creates a tight fit. If it does not, apply high temperature sealant to the joints of the affected sections.
- Horizontal sections require a 1/4" rise every 12" of travel



Approved Vent Configurations

Restrictor Position



Use the glass latch tool to move the adjustment plate.

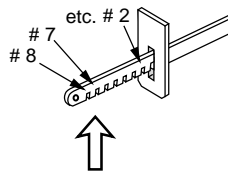
This restrictor is in position 1 (factory setting).

To Access the Restrictor:

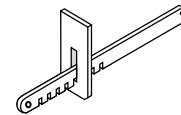
Remove the face (if installed).

To Adjust the Restrictor:

- 1 Determine the correct restrictor position (see the charts under "Approved Vent Configurations" - the factory position is #1).
- 2 Lift up the adjustment plate and move it so the correct notch falls into the slot on the adjustment bracket.



To adjust, lift the adjustment plate and push it back.



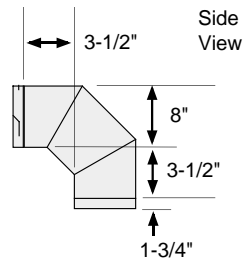
This restrictor is in position 4 -

NOTE: position 5 is fully closed - positions 6 through 8 are not used.

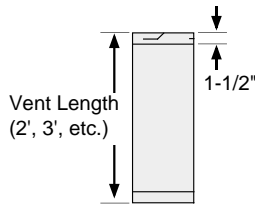
WARNING: Use a glove to protect your hand from burns.

Measuring Vent Lengths

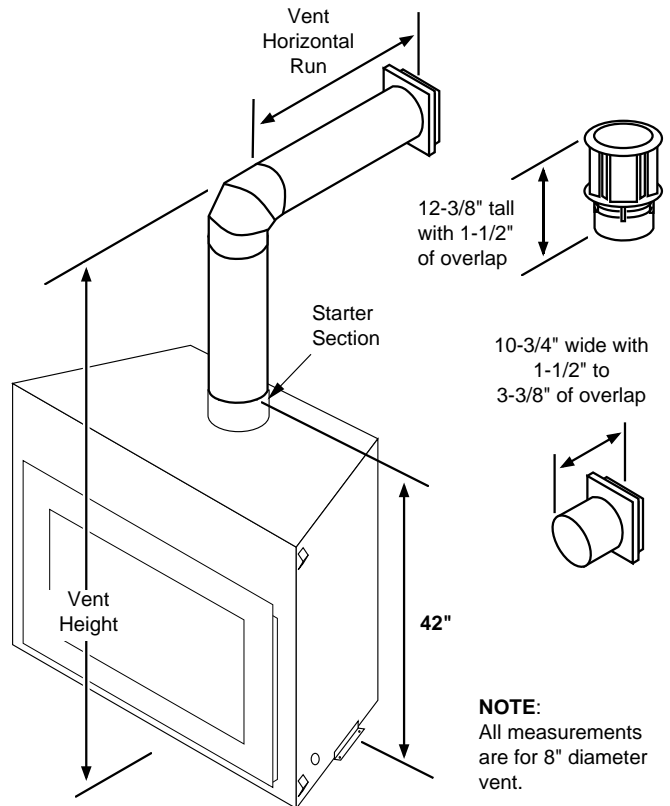
Elbows add 3-1/2" to the length of the vent system.



Vent sections overlap each other by 1-1/2"



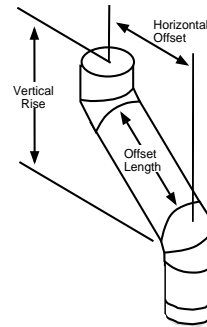
EXAMPLE:
Two 4' lengths are 7' 10-1/2" long, but when attached to the vent system add 7' 9" to the vent height.



NOTE:
All measurements are for 8" diameter vent.

Vertical Terminations with 0, 2, or 4 45° Offsets

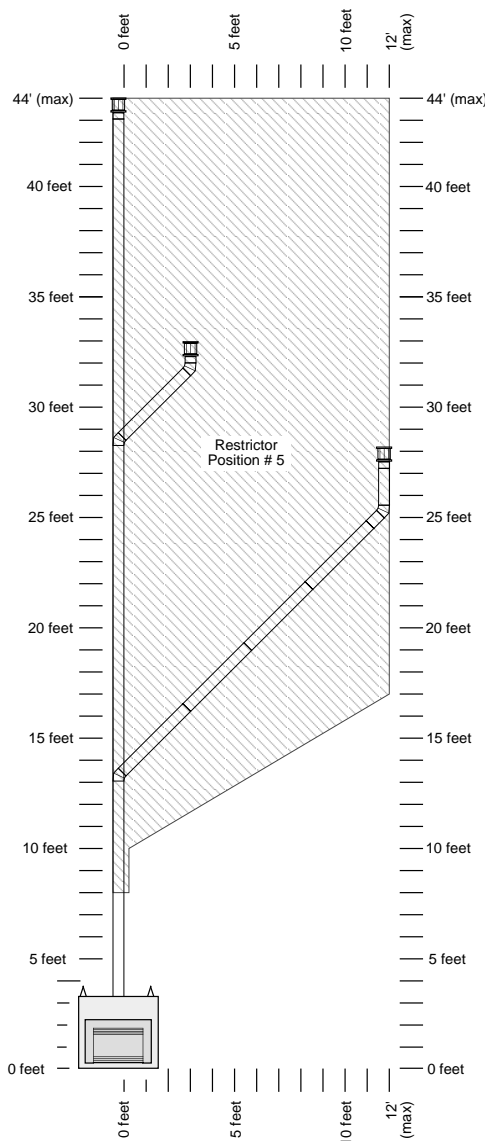
- Use 8" diameter co-axial vent
- A Maximum of Four 45° Elbows May be Used
- 8' Minimum System Height (without offsets)
- 40 Maximum System Height
- 12' Maximum Horizontal Offset (6' 6" for 4 Offsets)



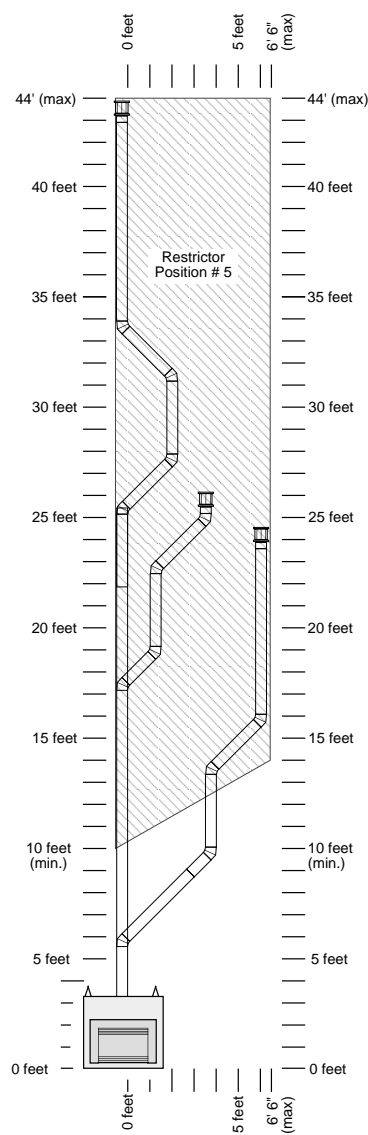
Offset Length	Hor. Offset	Vert. Rise
None	5"	1'
1' Section	1'	1' 7"
2' Section	1' 9"	2' 4"
3' Section	2' 5"	3'
4' Section	3' 2"	3' 8"

- The termination must fall within the shaded area shown in the chart. Use the indicated restrictor position.

Zero or Two 45° Offsets

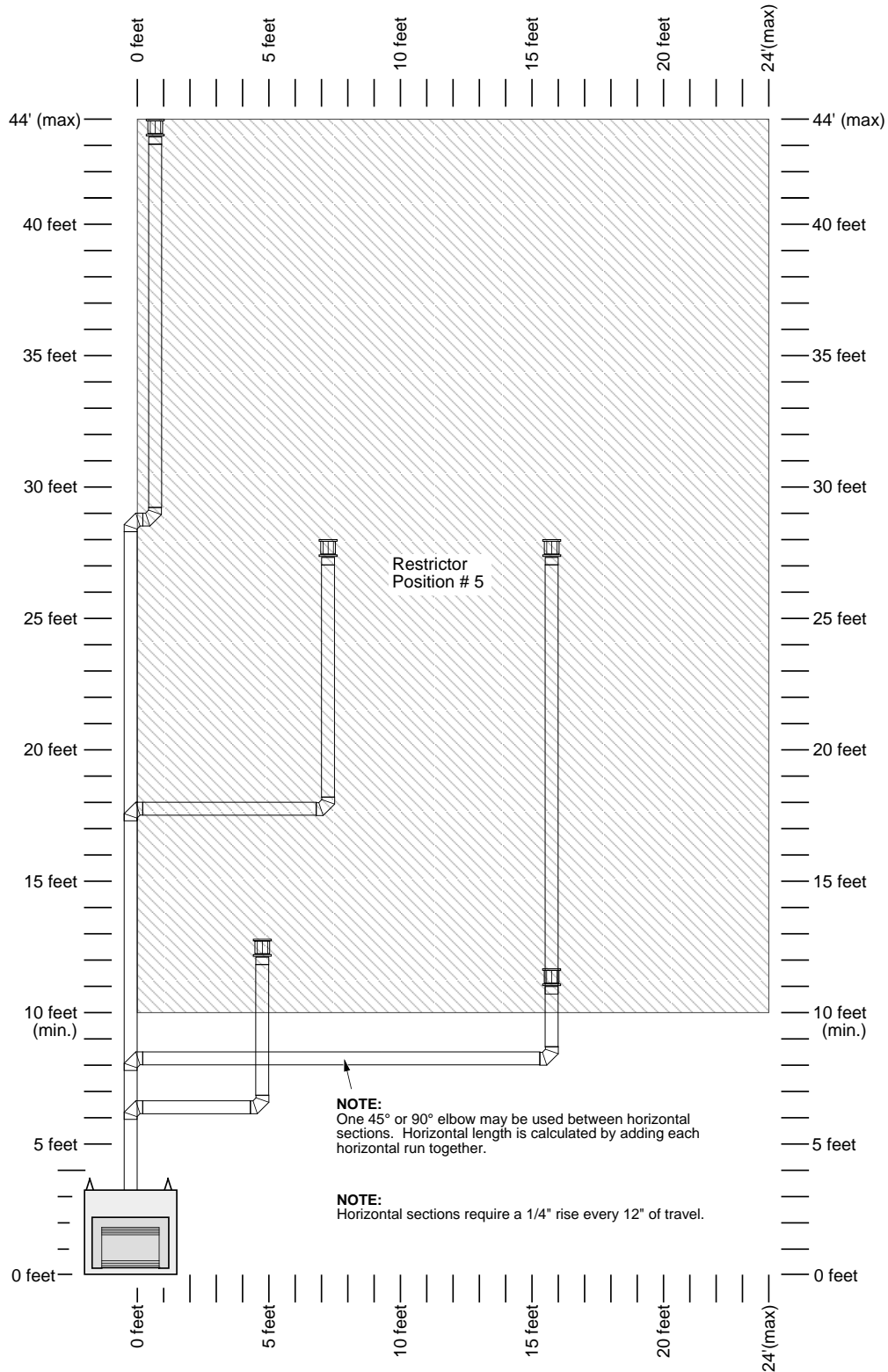


Four 45° Offsets



Vertical Terminations with 2 90° Elbows

The termination must fall within the shaded area shown in the chart. Use the indicated restrictor position.

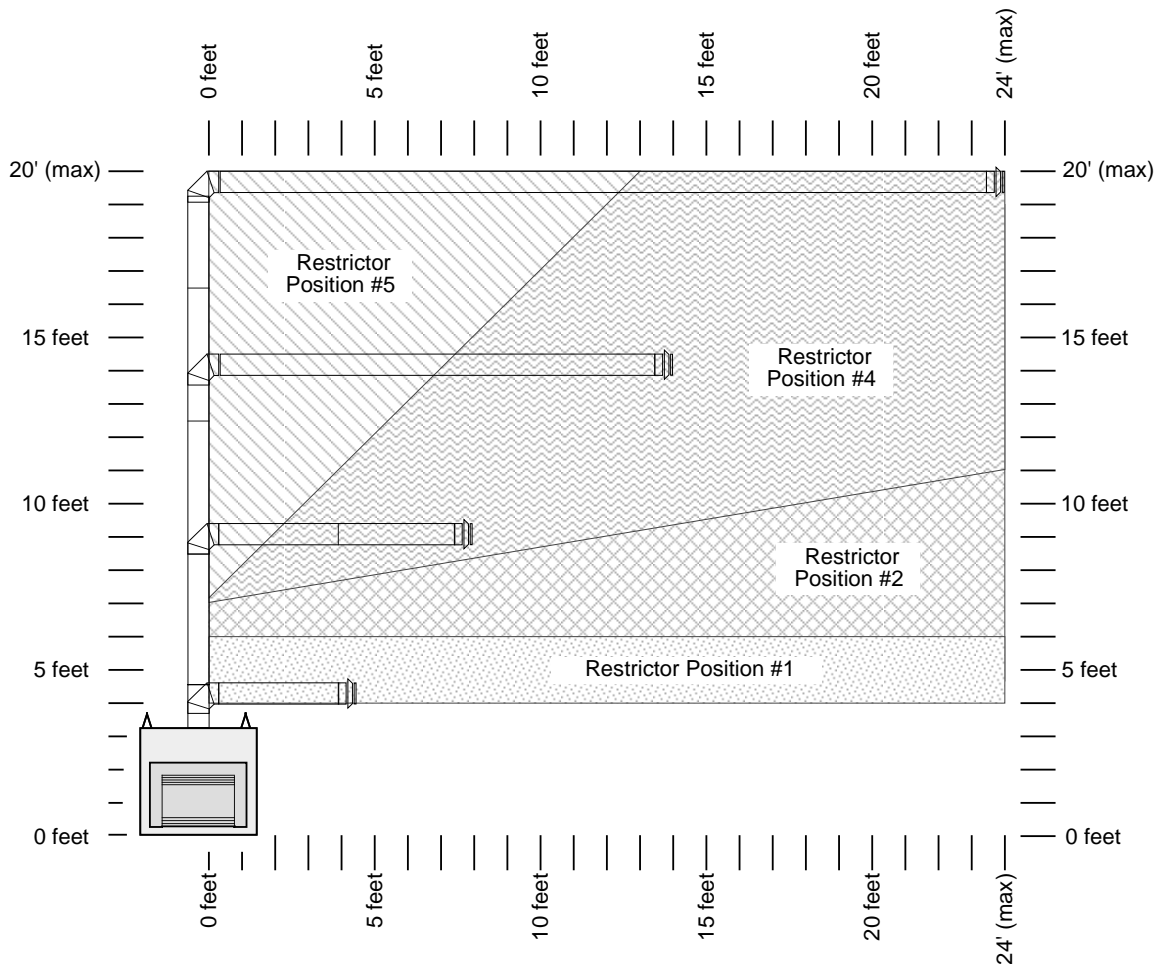
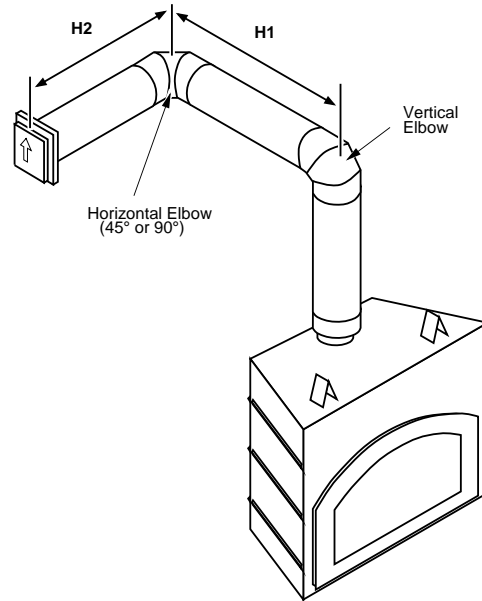


Horizontal Terminations with 1 Vertical Elbow

The termination must fall within the shaded area shown in the chart. Use the indicated restrictor position.

NOTE:

- One horizontal elbow (45° or 90°) is allowed. The horizontal vent length is calculated by adding the length before and after the elbow ($H1 + H2 =$ horizontal vent length).
- Horizontal sections require a 1/4" rise every 12" of travel.
- The maximum vertical height is 20'.
- The maximum horizontal length is 24'.

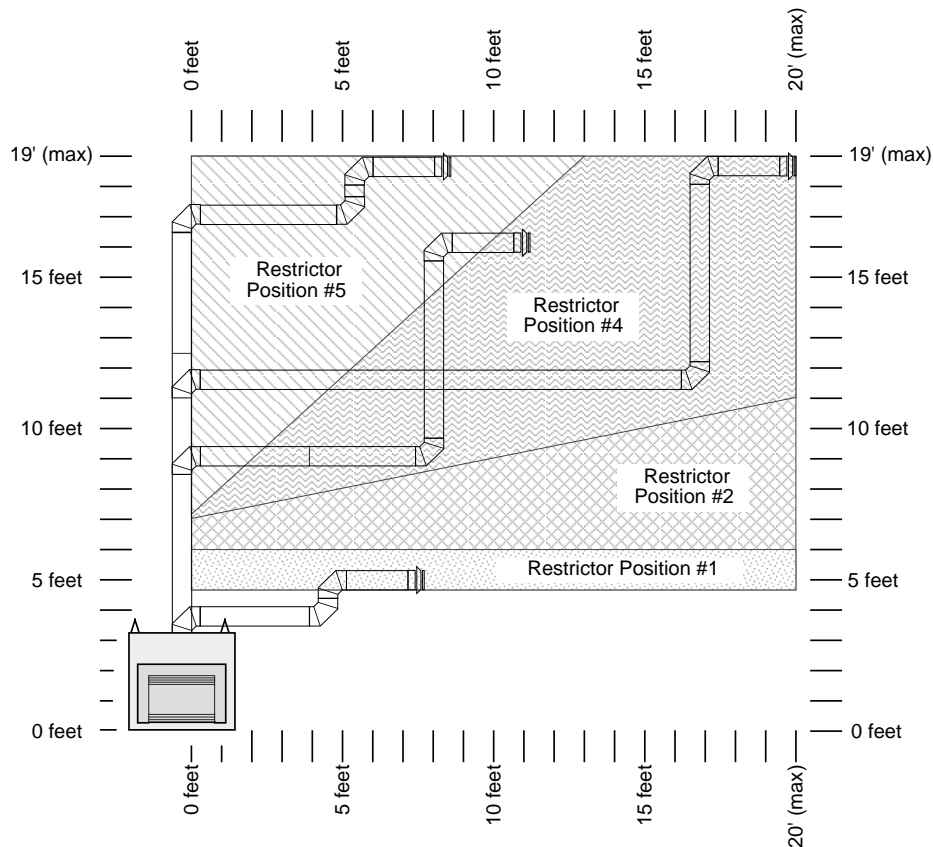
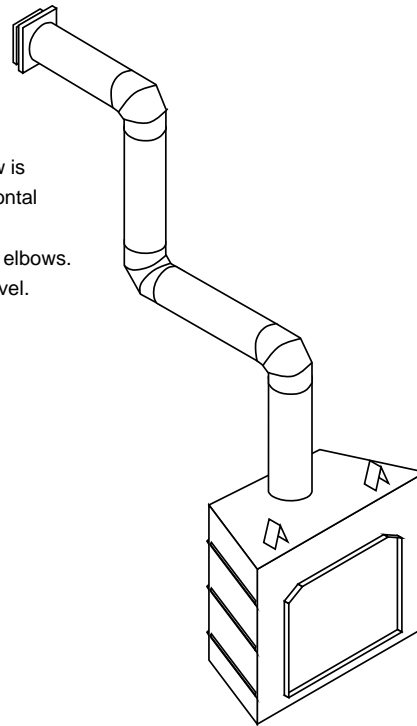
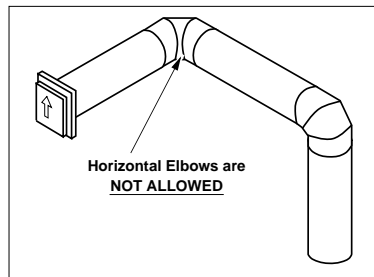


Horizontal Terminations with 3 Vertical Elbows

The termination must fall within the shaded area shown in the chart. Use the indicated restrictor position.

NOTE:

- A total of three elbows must be used.
- No horizontal elbows may be used (a horizontal elbow is defined as an elbow that directs the vent from a horizontal direction to another horizontal direction).
- Two 45° elbows may be substituted for two of the 90° elbows.
- Horizontal sections require a 1/4" rise every 12" of travel.
- The maximum vertical height is 19'.
- The maximum horizontal length is 20'.



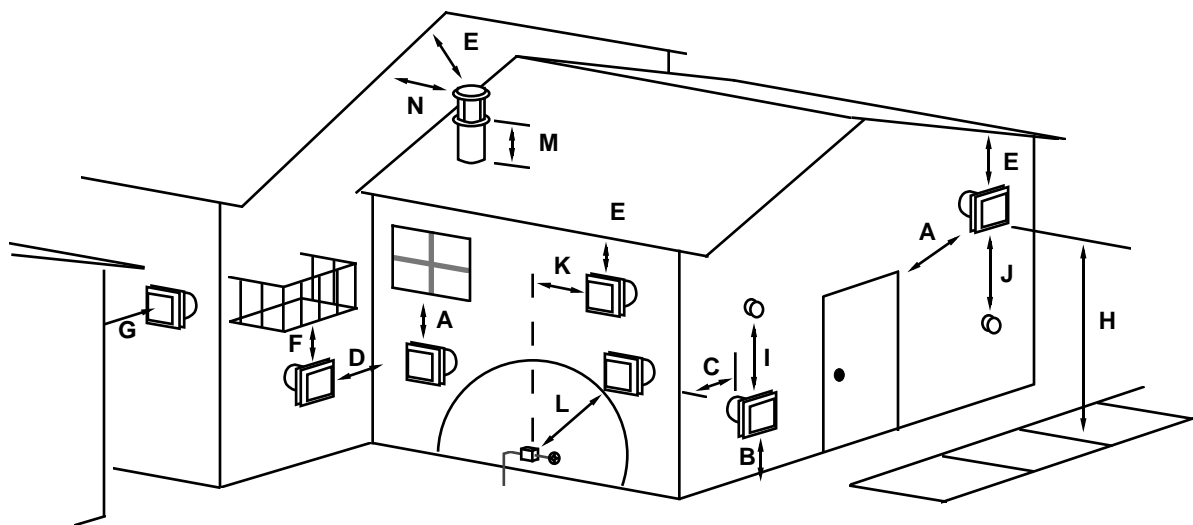
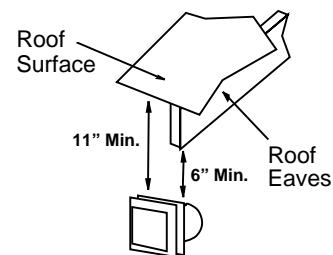
Termination Requirements (see the illustration below)

! Venting terminals shall not be recessed into a wall or siding.

- A Minimum 9" clearance from any door or window
- B Minimum 12" above any grade, veranda, porch, deck or balcony
- C Minimum 3" from outside corner walls
- D Minimum 12" from inside corner walls
- E Minimum 11" clearance below unventilated soffits or roof surfaces
Minimum 18" clearance below ventilated soffits
Minimum 6" clearance from roof eaves

NOTE: Vinyl surfaces require 24"

- F Minimum 18" clearance below a veranda, porch, deck or balcony (must have two open sides)
- G Minimum 48" clearance from any adjacent building
- H Minimum 84" clearance above any grade when adjacent to public walkways or driveways
NOTE: may not be used over a walkway or driveway shared by an adjacent building
- I Minimum 48" clearance from any mechanical air supply inlet
- J Minimum 36" clearance above and 48" below and to the sides of non-mechanical air supply inlet
- K Minimum 36" from the area above the meter/regulator (vent outlet)
- L Minimum 36" from the meter/regulator (vent outlet)
- M Minimum 12" above the roof line (for vertical terminations)
- N Minimum 24" horizontal clearance to any surface (such as an exterior wall) – for vertical terminations



NOTE: Measure clearances to the nearest edge of the exhaust hood.

- Use the vinyl siding standoff when installing on an exterior with vinyl siding.
- Vent termination must not be located where it will become plugged by snow or other material
- These clearances meet UMC-1994 code standards.

Gas Line Requirements

- The gas line must be installed in accordance with all local codes, if any; if not, follow ANSI 223.1 and the requirements listed below.
- The fireplace and gas control valve must be disconnected from the gas supply piping during any pressure testing of that system at test pressures in excess of 1/2 psig. For pressures under 1/2 psig, isolate the gas supply piping by closing the manual shutoff valve.
- Leak test all gas line joints and the gas control valve prior to and after starting the fireplace.

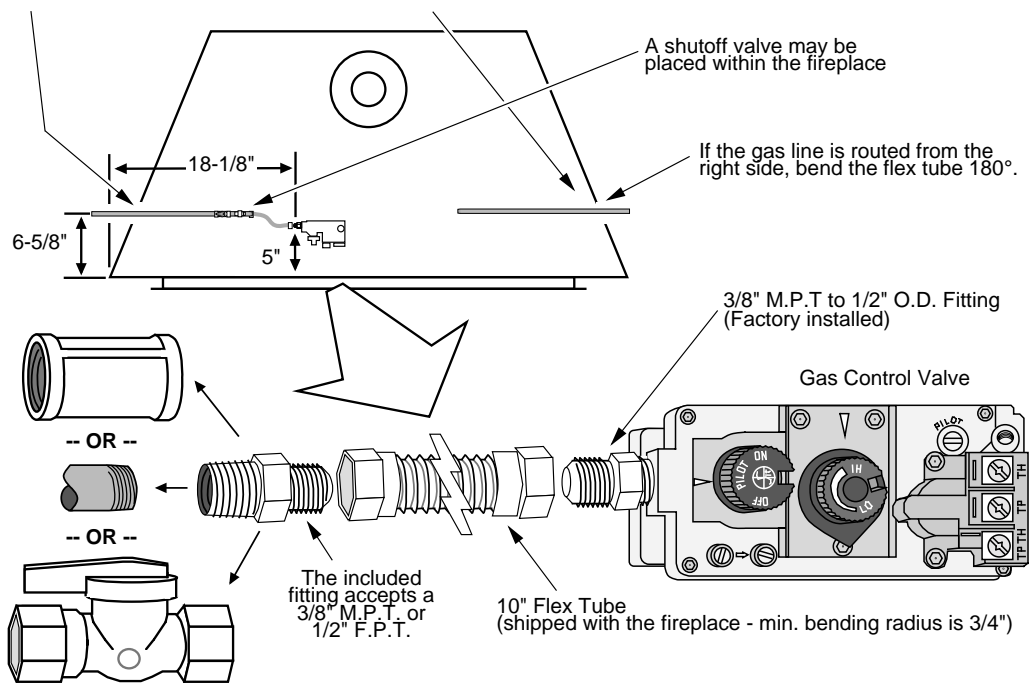
Fuel

- This fireplace is designed either for natural gas or for propane (but not for both). Check the sticker on the top of the gas control valve to make sure the correct fuel is used.

Gas Line Connection

- A manual shutoff valve is required within for installation (within 3' of the heater). T-Handle gas cocks are required in Massachusetts in compliance with code 248CMR.
- Installation must be performed by a qualified installer, service agency or the gas supplier (In Massachusetts a licensed plumber/gasfitter).

The 1" diameter access hole is located 2-5/8" above the base of the fireplace. Cut an "X" in the gasket covering the inlet and insert the gas line through the gasket.



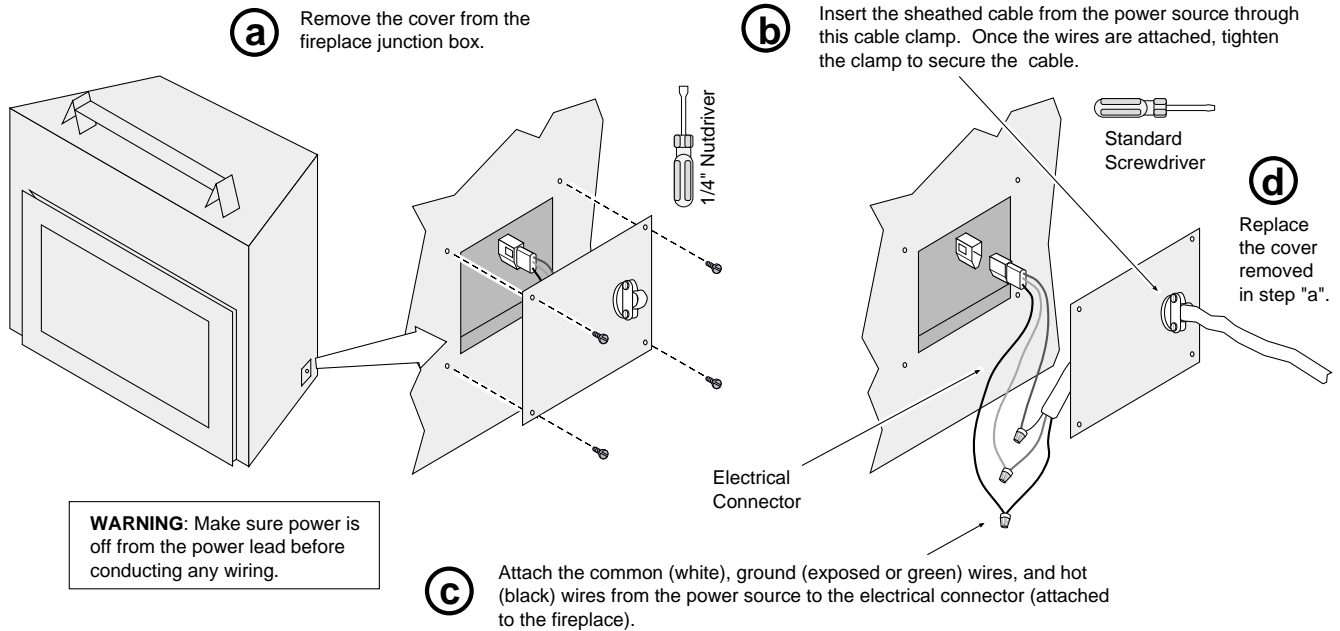
Gas Inlet Pressure:

	Standard Input Pressure
Natural Gas	7" W.C. (1.74 kPa)
Propane	13" W.C. (2.73 kPa)

- If the pressure is not sufficient, make sure the piping used is large enough, the supply regulator is adequately adjusted, and the total gas load for the residence does not exceed the amount supplied.
- The supply regulator (the regulator that attaches directly to the residence inlet or to the propane tank) should supply gas at the suggested input pressure listed above. Contact the local gas supplier if the regulator is at an improper pressure.

Electrical Connection

- Make sure the household breaker is shut off prior to working on any electrical lines.
- The fireplace must be properly grounded in accordance with local codes (or ANSI/NFPA 70-1987)
- The electrical line must be 14 gauge, and supply 120 Volts at 60 Hz (2 Amps)
- Follow the directions below to connect power to the fireplace.

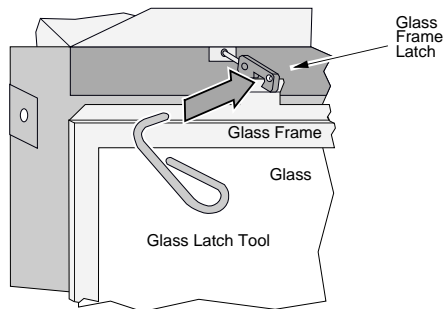


- 1 Remove the glass following the directions below.

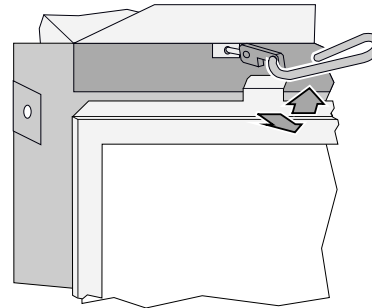
Warning: The appliance must be completely cool before removing the glass.

Warning: Do not strike or slam the glass.

- a** Insert the included glass latch tool into the hole on the glass frame latch.



- b** Pull the latch out then up to detach it from the glass frame.

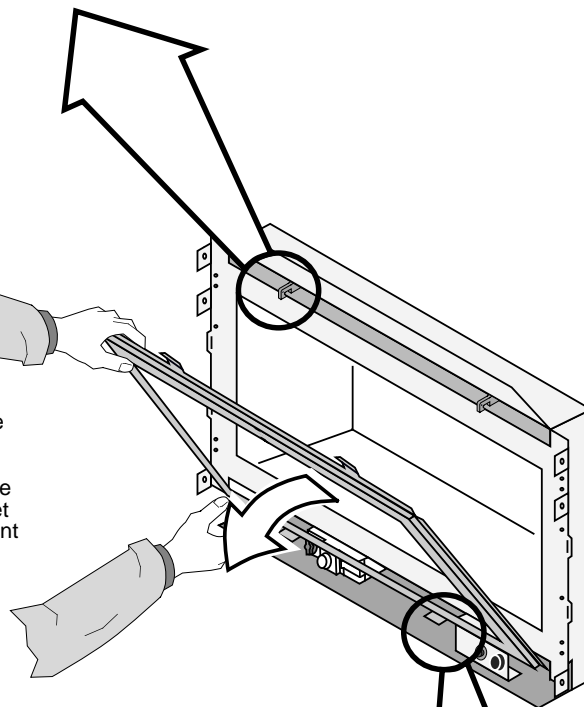


c

Hold the glass in place and repeat steps "a" and "b" for the opposite side latch.

d

Hold the bottom of the glass while swinging the top outwards. At approximately 45° the glass, with frame, can be pulled up and away. Set the glass aside to prevent damage.



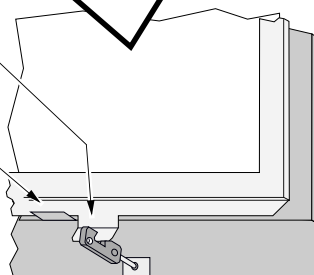
Glass Replacement

Make sure both bottom latches are facing upwards

Position the glass at a 45° angle and lay it on the two tabs below the firebox. When correctly positioned, the tabs on the frame should insert into the bottom latches.

Swing the glass into place (make sure the bottom latches are engaged).

Re-attach the top latches (see steps "a" and "b" above).

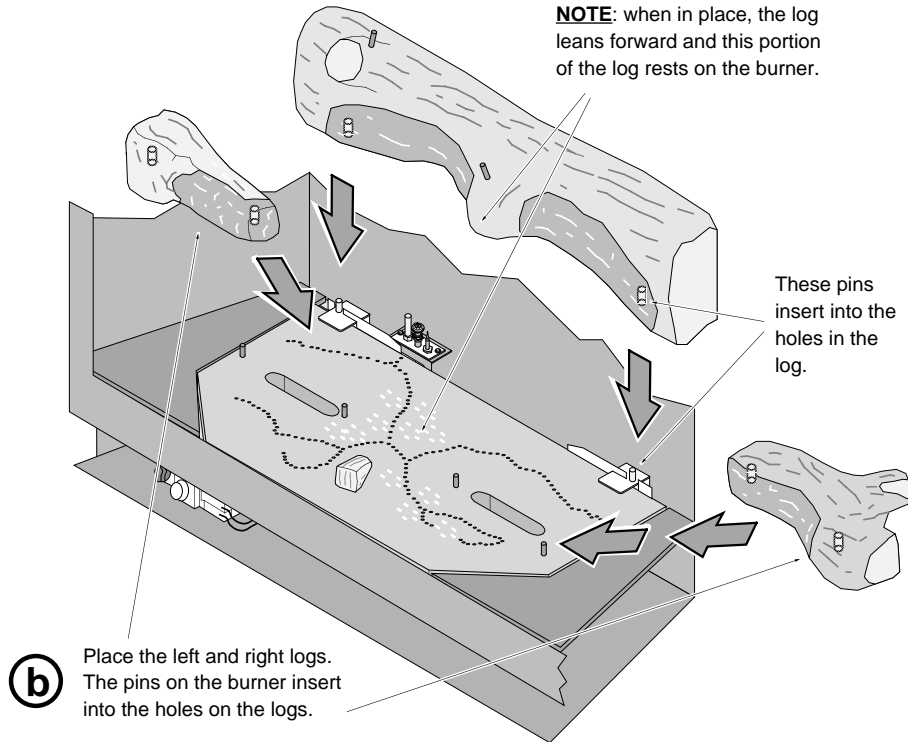


- If converting to propane, do so now before installing the logs (page 42).

2 Install the log set following the directions below.

a Place the rear log on the two platforms at the rear of the firebox.

NOTE: when in place, the log leans forward and this portion of the log rests on the burner.

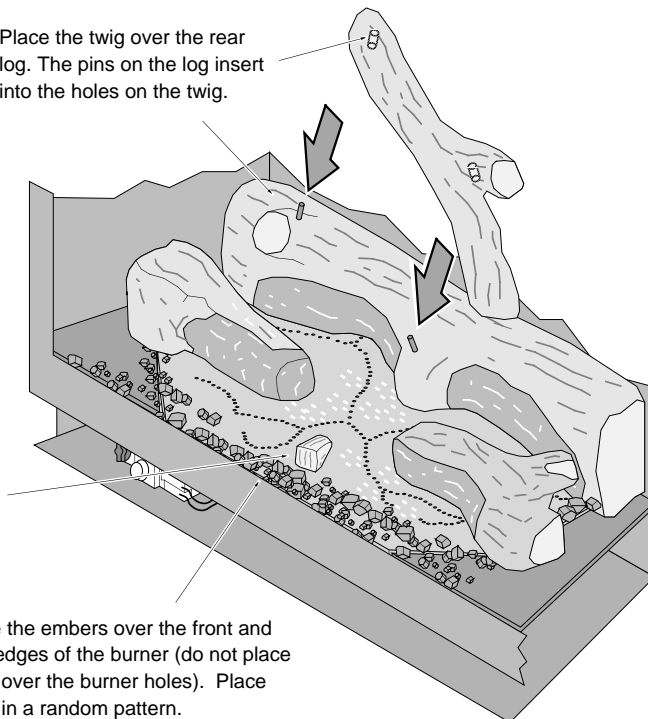


b Place the left and right logs. The pins on the burner insert into the holes on the logs.

c Place the twig over the rear log. The pins on the log insert into the holes on the twig.

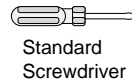
d Place the ember chunk in the location shown (it should not cover any burner holes).

e Place the embers over the front and side edges of the burner (do not place them over the burner holes). Place them in a random pattern.

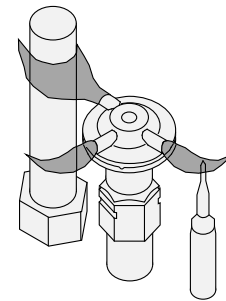
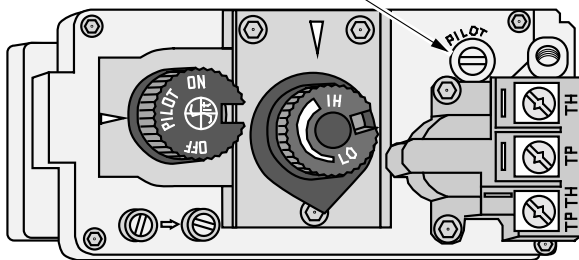


- 3 We recommend you purge the gas line at this time (with the glass removed). This allows gas to be detected once it enters the firebox, ensuring gas does not build up. Replace the glass.
- 4 Install the faceplate following directions included with the face.
- **ACID WASH WARNING:** Before installing the faceplate, make sure any masonry that has been treated with acid wash has been properly neutralized (this is used primarily with brick faces). Acid wash (muriatic acid) is used to remove excess mortar. If not properly neutralized with an ammonia solution, the gold face may develop a permanent tarnish when the acid evaporates over time. Contact your dealer if uncertain your facing has been properly neutralized.
- 5 Turn on the gas to the fireplace. Turn on gas to the heater. Leak test all gas joints prior to starting the appliance. Start the pilot. Start the main burner. Leak test all gas joints again.
- 6 Check the pilot flame to make sure it looks like the illustration below. Adjust the pilot flame if necessary.

To adjust the pilot flame, turn this screw. Clockwise lowers the flame while counter-clockwise raises it.



The pilot flame must contact the thermocouple and thermopile (see the illustration below). Adjust the pilot up or down as necessary.

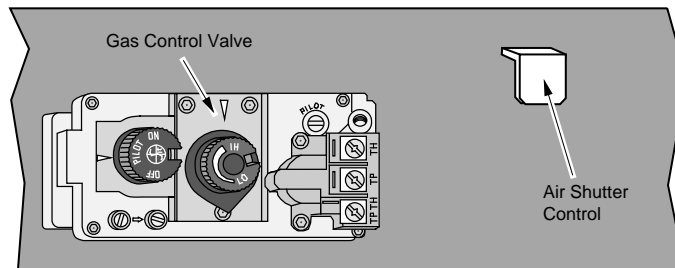


- 7 Let the heater burn for fifteen minutes. Adjust the air shutter, if necessary, to achieve the correct looking flame (see the illustration below).
 - The air shutter adjusts the amount of air that mixes with the gas before it exits the burner holes.

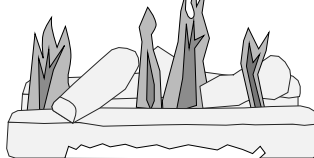
ADJUSTING THE AIR SHUTTERS

Pushing the control to the right gives the flame less air (closed) - making it more orange. Pushing to the left gives the flame more air (open), making it more blue. For fine adjustments use a screwdriver to tap the air shutter.

NOTE: If the air shutter is all the way open, yet the flames remain sooty, shut off gas to the fireplace and contact a qualified gas service technician.

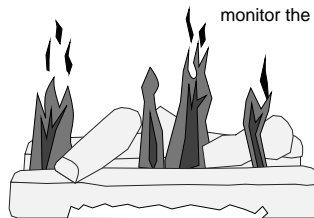


NOTE: The logs must be installed correctly to monitor the flame while adjusting the air shutter.



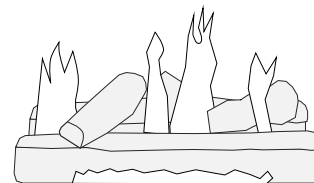
Correct

Flames should be blue at the base, yellow-orange on the top.



Not Enough Air

If the flames are too tall or sooty on the ends, open the air shutter.



Too Much Air

If the flames are all blue and short, close the air shutter.

- Turn the flame adjust knob to its highest position - the flames should not be sooty or come in continuous contact with the firebox ceiling. Check the flame on low position. The flames should burn off of each burner hole. If the heater does not work correctly, contact your dealer for a remedy.

FINE TUNING THE EMBER-FYRE™ BURNER

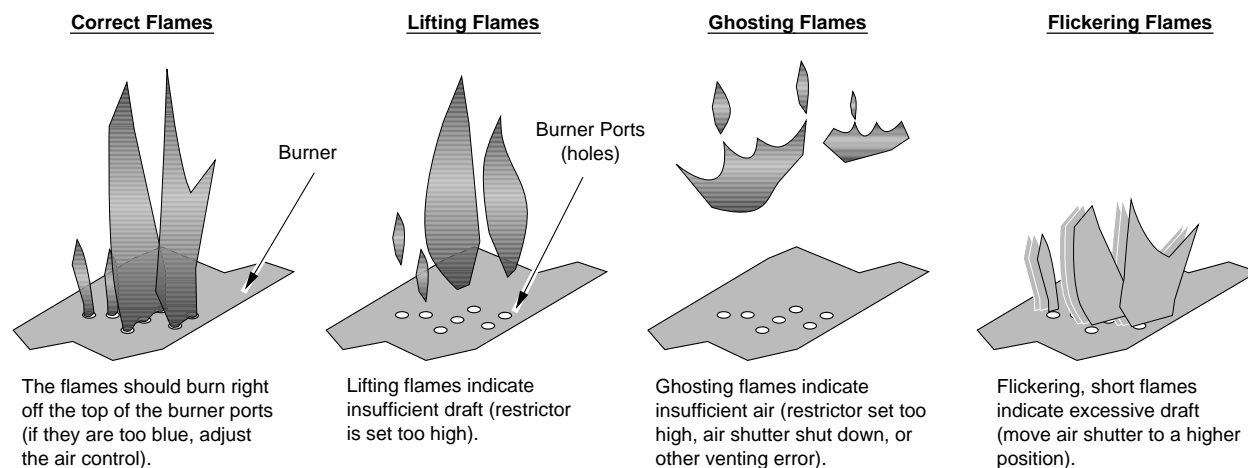
Each installation is affected by altitude, vent configuration, and fuel quality. Because of this, the restrictor and air shutter may need to be fine tuned to each installation. Follow the hints below to fine-tune the burner for optimum performance and aesthetics.

Restrictor Hints:

Set the restrictor to the position suggested in the vent configuration table. Turn the heater on and allow it to reach full temperature (15 min.). If the flames indicate there is excessive draft due to altitude or climate, you may wish to adjust the restrictor to a more restrictive position (higher number). Active, flickering short flames are an indication of excessive draft. If the flames lift off of the burner holes, this indicates not enough draft (restrictor is set too open). After adjustments are made the unit must be cooled down to room temperature and restarted to make sure that the restriction is not so severe that the pilot will drop out when it is restarted. If the pilot does drop out reduce the restriction until it will operate continuously.

Air Shutter Hints:

- For more glow, open the air shutter, however, this will make the flames more blue.
- For yellow flames, close the air shutter, however, this may create less glow.



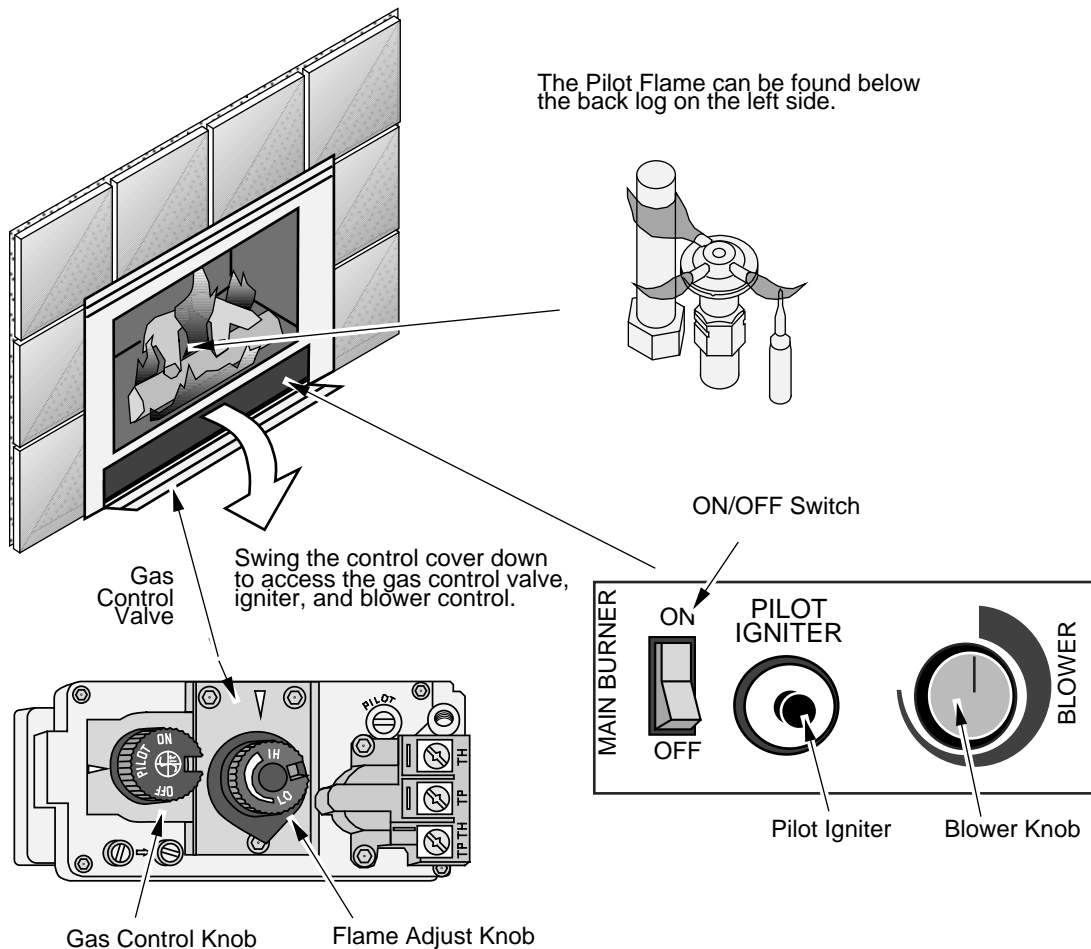
Warning: If the vent configuration is installed incorrectly the vent may cause the flames inside the heater to lift or “ghost” – a dangerous situation. Inspect the flames after installation to insure proper performance. If the vent configuration is correct, yet the flames are lifting or ghosting, shut off gas to the heater and contact the dealer for information on remedying the problem.

- Give this manual to the home owner and fully explain the operation of this heater.

Before You Begin

- Read this entire manual before you use your new fireplace (especially the section "Safety Precautions" on pages 4 & 5). Failure to follow the instructions may result in property damage, bodily injury, or even death.

Location of Controls - See explanation below



- Blower Knob** This knob controls the speed of the internal convection blower that pushes the heated air into the room.
- On/Off Switch** This control is used to turn the fireplace on and off.
- Pilot Igniter** The pilot igniter is used only to start the pilot. When pressed, it sends an electrical charge to the pilot assembly. This creates a blue spark directly next to the pilot, igniting the pilot flame.
- Gas Control Knob** This knob is used to control gas to the fireplace and for starting the pilot. There are three positions, ON, OFF, & PILOT. The pointer to the left of the knob indicates the position this knob is in.
- Flame Adjust Knob** This knob controls the flame height from low ("LO") to high ("HI"). The pointer above the knob points to the position this knob is in.

Starting The Pilot Flame

The pilot flame is required to ignite the main burners (it also plays a safety role). It should be left on once lit. It will stay lit unless the gas control valve is turned to "OFF". However, the pilot will go out if the gas is shut off, the propane tank runs out (or low) or if the stove malfunctions. If the pilot turns off frequently, call your dealer for information. To start the pilot follow the directions below:

WARNING:

When lighting or re-lighting the pilot, the glass must be removed (see page 28).

- a Remove the glass (see page 28 for details).
- b Push the gas control knob in slightly and turn it to the "OFF" position. The knob will not turn from "ON" to "OFF" unless the knob is depressed slightly. Wait five minutes to let any gas that may have accumulated inside the firebox escape. If you smell leaking gas, follow the directions on the cover "IF YOU SMELL GAS".
- c Turn the gas control knob to the "PILOT" position and press the knob in, this will allow gas to flow to the pilot light. Press the button on the pilot igniter repeatedly until you see the pilot light.

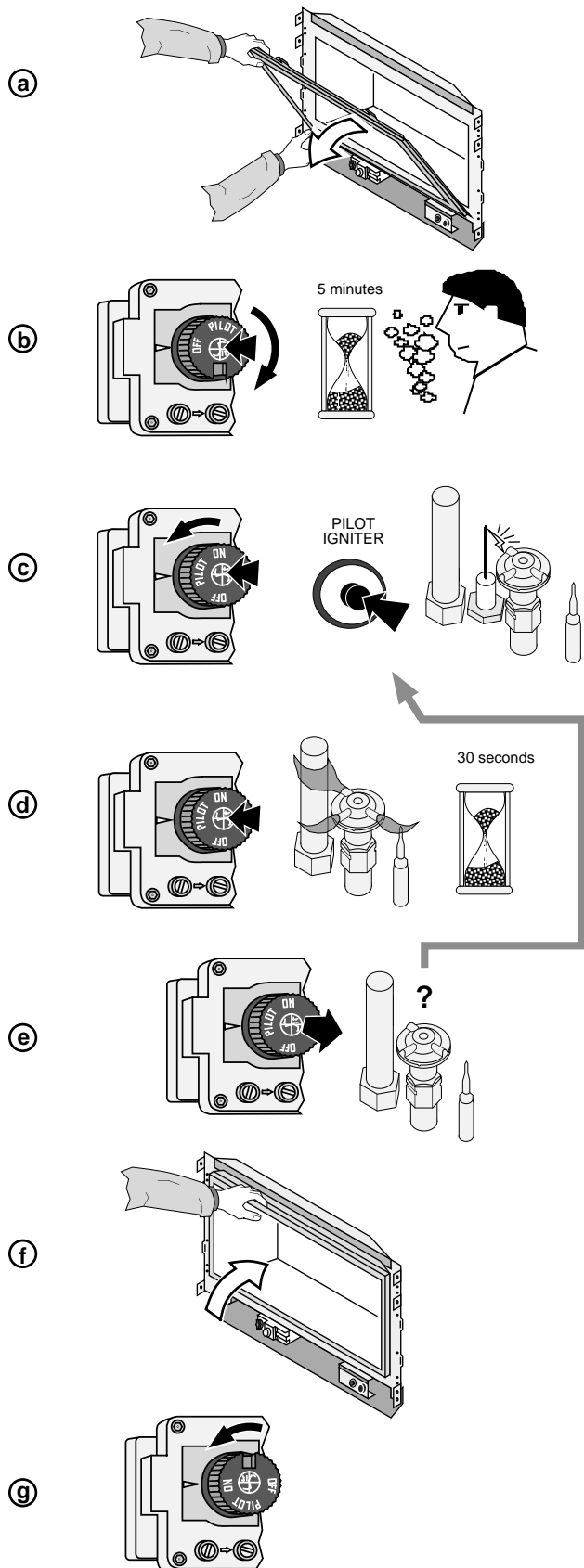
WARNING:

If the pilot does not light after 15 seconds, release the knob and call your dealer for service. Do not attempt to light pilot until service has been performed.

NOTE:

You may wish to remove the log set to gain a better view of the pilot (see page 29).

- d Keep the gas control knob depressed for 30 seconds once it is lit.
- e Release the gas control knob. If the pilot goes out, repeat step C. If the pilot refuses to stay lit, call your dealer for service. With the pilot lit, proceed to step "f".
- f Replace the glass.
- g Turn the gas control knob counter-clockwise to "ON". The pilot is now lit and the heater can be turned on and off.

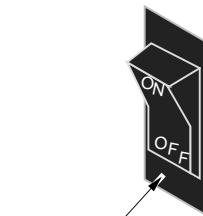


Starting the Fireplace for the First Time

- + Burn the heater at a high setting with the blower off for an extended period (up to 48 hours). This will cure the painted surfaces. **Fumes** from the paint curing and oil burning off the steel will occur. This is normal. We recommend opening a window to vent the room.
- + **Condensation** may appear on the glass each time you start the fireplace - this is normal.
- + **Blue Flames** will occur on the fireplace when it first comes on. After fifteen minutes the flames will turn a more realistic yellow and orange color.
- Certain installations use a remote "wall switch" to turn the fireplace on and off. If this is the case, leave the ON/OFF switch "ON".

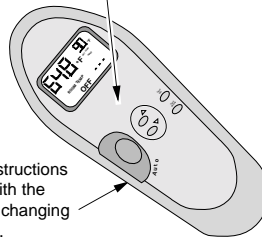
Turning the Fireplace On and Off

After the pilot has been started...



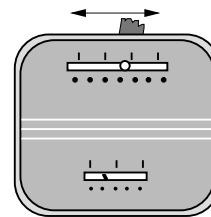
Use this switch to turn the main burner on and off manually.

See the instructions included with the remote for details on operation.



See the instructions included with the remote for changing the battery.

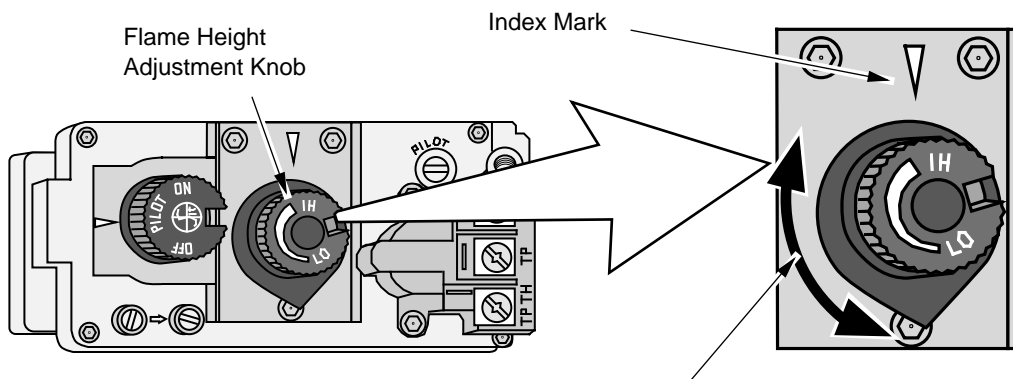
For systems with wall thermostats, use this switch to control the temperature (right is hotter, left cooler). Some systems require the on/off switch to be on.



- Do not place any combustible items on top of or directly in front of the fireplace, even temporarily. The optional thermostat may start the fireplace causing a combustible item to ignite.
- If the fireplace turns on and off frequently while using the thermostat, you may want to adjust the flame height down until it produces just enough heat needed.

Adjusting the Flame Height

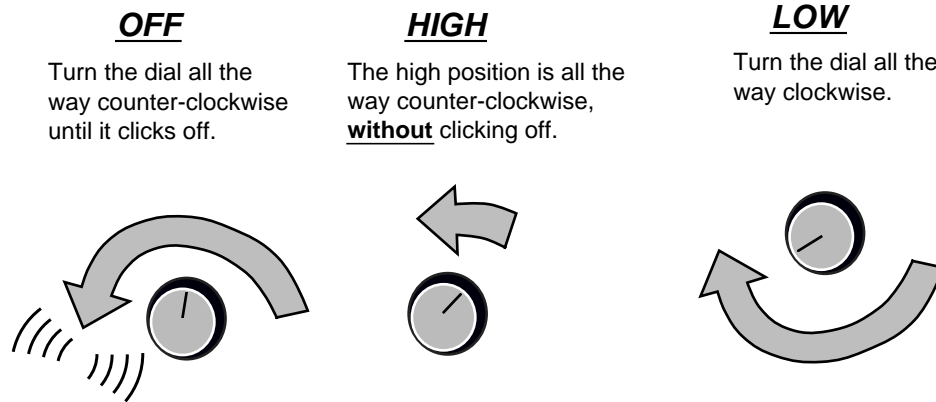
- + Your fireplace has an adjustable flame to tailor the look and heat output to your specific needs. It is adjusted by turning the middle dial on the gas control valve.



Turn counter-clockwise to adjust the flame higher, clockwise to lower.

Adjusting the Blower Speed

The blower helps transfer heat from the heater into the room. It will not turn on until the heater is up to temperature (approximately 10 minutes after starting). See the illustration below for instructions on adjusting the blower speed.



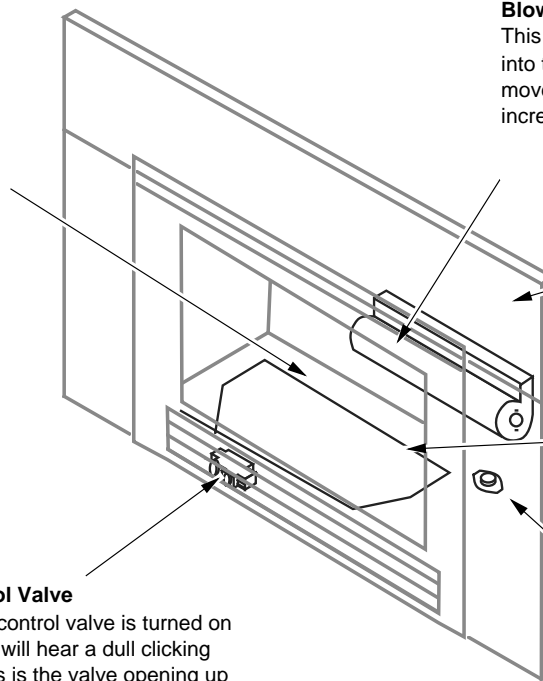
Normal Operating Sounds

Pilot Flame

The pilot flame, which remains on, makes a very slight "whisper" sound.

Blower

This heater uses a blower to push heated air into the room. You will hear the sound of air movement that increases as the speed is increased.



The appliance will creak with change of temperature.

Extinction Pops

It is not unusual, especially on Propane (LP) appliances, to experience a "pop" when the burner is shut off.

Gas Control Valve

As the gas control valve is turned on and off you will hear a dull clicking sound. This is the valve opening up and shutting down.

Blower Snap Disk

This part can produce a clicking sound as it turns the blower on and off.

Normal Operating Odors

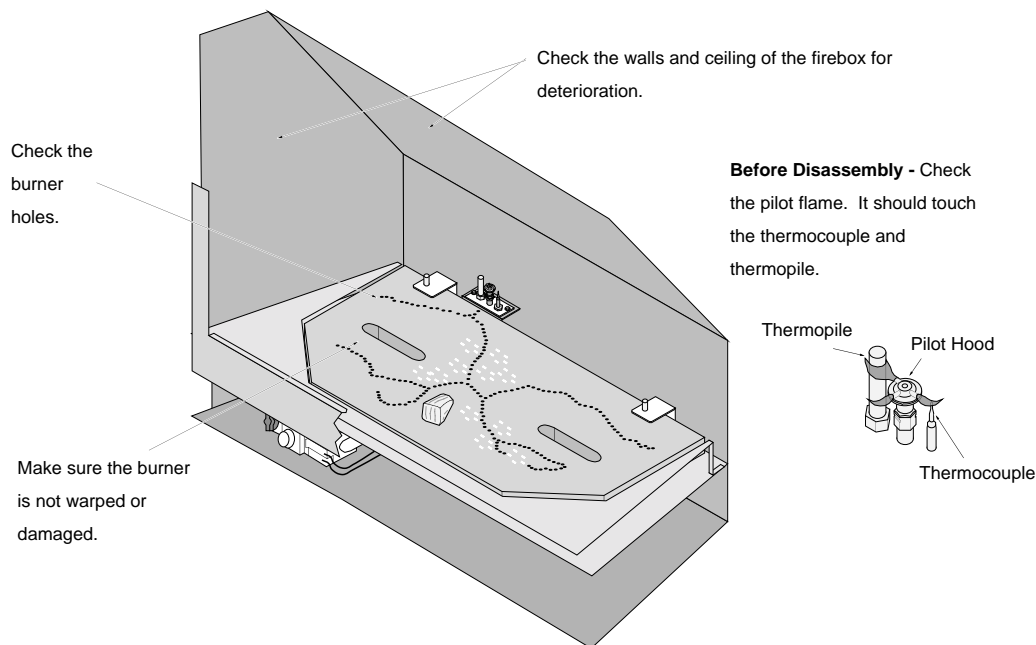
This appliance has several areas that reach high temperatures. Dust or other particles on these areas may burn and create an odor. This is normal during start-up. You may notice the smell is more acute if the appliance was left idle for a long period.

Maintaining Your Fireplace's Appearance

- Fingerprints or other marks left on the optional gold surface may become etched in place if they are not wiped clean prior to turning the fireplace on. Clean the gold with denatured alcohol and a soft cloth (with the fireplace cool). Other cleaners may leave a film that may become etched into the gold.

Yearly Service Procedure

- Failure to inspect and maintain the fireplace may lead to improper combustion and a potentially dangerous situation. We recommend the following procedures be done by a qualified technician.
- 1 Check the pilot flame. It should touch approximately 3/8" of the top of the thermopile and touch the top of the thermocouple (see illustration below). If it does not, contact your dealer for service.
 - 2 Shut off gas to the fireplace by turning the gas control knob to "OFF" (see step A under "Starting the Pilot" on page 33). Let the fireplace cool for 15 minutes. Remove the faceplate (see the instructions included with the face) and glass (see page 28).
 - 3 Remove the log set (**NOTE: the logs are very fragile** - see page 29). If severely deteriorated, replace. Check the logs for sooting. A small amount of soot along the bottom of the logs is normal. If excessive sooting is found, the fireplace will require adjustment. Contact your dealer.
 - 4 Clean the burner (especially the burner holes) and inspect the following:
 - Make sure the burner is not warped, cracked, or damaged.
 - Check the firebox and area around the pilot to make sure there is no warping or damage. If any problem is found, discontinue use and contact your dealer for service.



- 5 Replace the log set. Clean and replace the glass (use non-abrasive cleaner - if damaged, replace). Make sure the gasket along the perimeter of the glass contacts the face of the firebox and forms an air-tight seal. If it does not, re-align or replace the gasket to insure an air-tight seal. Replace the faceplate.
- 6 Inspect behind the access door. Clean if necessary. Check the gas control valve gas lines. If damage is found, discontinue use and contact your dealer for service. Clean the air channels and ducts.
- 7 Start the pilot and turn on the main burner. The flames should be orange/yellow and not touch the top of the firebox. If the pilot or main burners do not burn correctly, contact your dealer for service. Monitor the blower operation.
- 8 Remove any debris or vegetation near the vent termination. Contact your dealer if any sooting or deterioration is found near the vent termination.

Troubleshooting Table

Problem:	Possible Cause:	Don't Call for Service Until You:
Pilot Will Not Light	A gas shut off valve is turned off _____ The gas control knob isn't turned to "PILOT" _____ The valve control knob isn't pushed in _____ The igniter wasn't pressed repeatedly _____ No Propane in Tank _____	Check all gas shut off valves See "Starting the Pilot Light" Step C See "Starting the Pilot Light" Step C See "Starting the Pilot Light" Step C Check Tank Level
Main Burners Will Not Start	The pilot light has gone out _____ The gas control valve is turned to "PILOT" or "OFF" _____ The ON/OFF switch is turned to "OFF" _____ The remote control is not working correctly _____ The thermostat is disconnected or set too low _____	See "Starting the Pilot Light" See "Starting the Pilot Light" Turn the ON/OFF switch to "ON" See the remote control instructions See "Thermostat Operation"
Remote Control Does Not Work	The pilot light has gone out _____ The gas control valve is turned to "PILOT" or "OFF" _____ The ON/OFF switch is turned to "OFF" _____ The remote is too far away from the fireplace _____ The remote control receiver is turned "Off" _____ One of the two remote control batteries is dead _____	See "Starting the Pilot Light" See "Starting the Pilot Light" Turn the ON/OFF switch to "ON" Use the remote closer to the fireplace See the remote control instructions See the remote control instructions
Thermostat Does Not Work	The pilot light has gone out _____ The gas control valve is turned to "PILOT" or "OFF" _____ The ON/OFF switch is turned to "OFF" _____ The thermostat is set too low _____	See "Starting the Pilot Light" See "Starting the Pilot Light" Turn the ON/OFF switch to "ON" See "Thermostat Operation"
Fireplace Will Not Distribute Heat	The fireplace is not getting electricity _____ The fireplace is not up to temperature _____	Check the breaker switch See "Operating Your Fireplace"
Pilot Goes Out Once A Month Or More	The gas supply has been shut off _____	Keep the gas supply turned on
Flames Are Too Blue	The fireplace has just been started _____ Improper air shutter adjustment _____	This is normal - see "Starting the Fireplace for the First Time" Adjust Air Shutter - contact your dealer
Flames Are Too Short (Under 6")	The flame height may be turned too low _____	Turn the flame height to "HI" - See "Adjusting the Flame Height"
Thin Layer of Soot Covers the Glass	The logs or coals are placed incorrectly _____ Improper air shutter adjustment _____	See "Log Set Installation and Removal" Adjust Air Shutter - contact your dealer

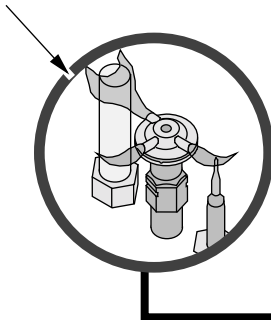
How this Fireplace Works

- This fireplace was designed with safety as the primary concern. Many of the components inside this fireplace are for safety purposes. Therefore, only certified gas service technicians should service this fireplace.

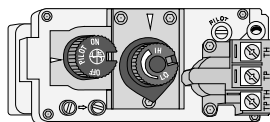
What Turns the Main Burners On and Off

This fireplace uses a millivolt system to control its operation (a millivolt is a very small amount of electricity). The thermopile and thermocouple generate electricity when heated by the pilot flame. This electricity is used to operate the gas valve. Without enough electricity, the gas valve will not turn on. That is why when starting the pilot the gas control knob has to be pressed in long enough for the thermocouple to heat up and generate enough electricity. The thermopile provides power for the ON/OFF switch, remote control, or thermostat (see the illustration below). Because the thermopile generates the electricity needed to turn the fireplace on and off, this fireplace can be operated when the power is out (although the blower will not run).

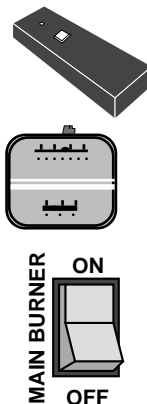
When heated, the thermopile generates electricity (a very small amount measured in "Millivolts").



This electricity is used to operate the main burners.



The main burners are switched on and off using the electricity generated by the thermopile. The ON/OFF switch, remote control, or thermostat control the circuit to the main burner.

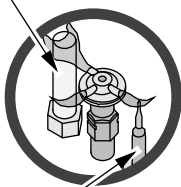


What Prevents Gas Buildup

- This appliance utilizes a high-technology gas valve in conjunction with a pilot flame to ensure no gas builds up inside the firebox.
- The thermocouple (next to the pilot) senses when the pilot flame is lit. If the pilot flame goes out, this thermocouple no longer generates electricity, causing the gas valve to automatically shut off all gas to the heater, preventing the pilot from spilling gas into the firebox.

Pilot Flame

The pilot flame is a time-proven component that eliminates the possibility of gas buildup inside the firebox.

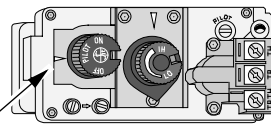


Thermocouple

The thermocouple generates a small amount of electricity. If the pilot flame goes out, the gas valve automatically shuts off all gas.

Gas Valve

This high-technology valve automatically shuts off all gas if it does not receive a signal from the thermocouple. If any component is damaged or sensing a malfunction, or if the wiring is damaged, it will shut off all gas.

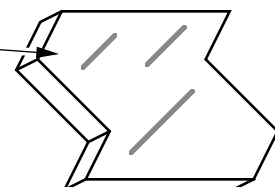


External Shut Off Valve

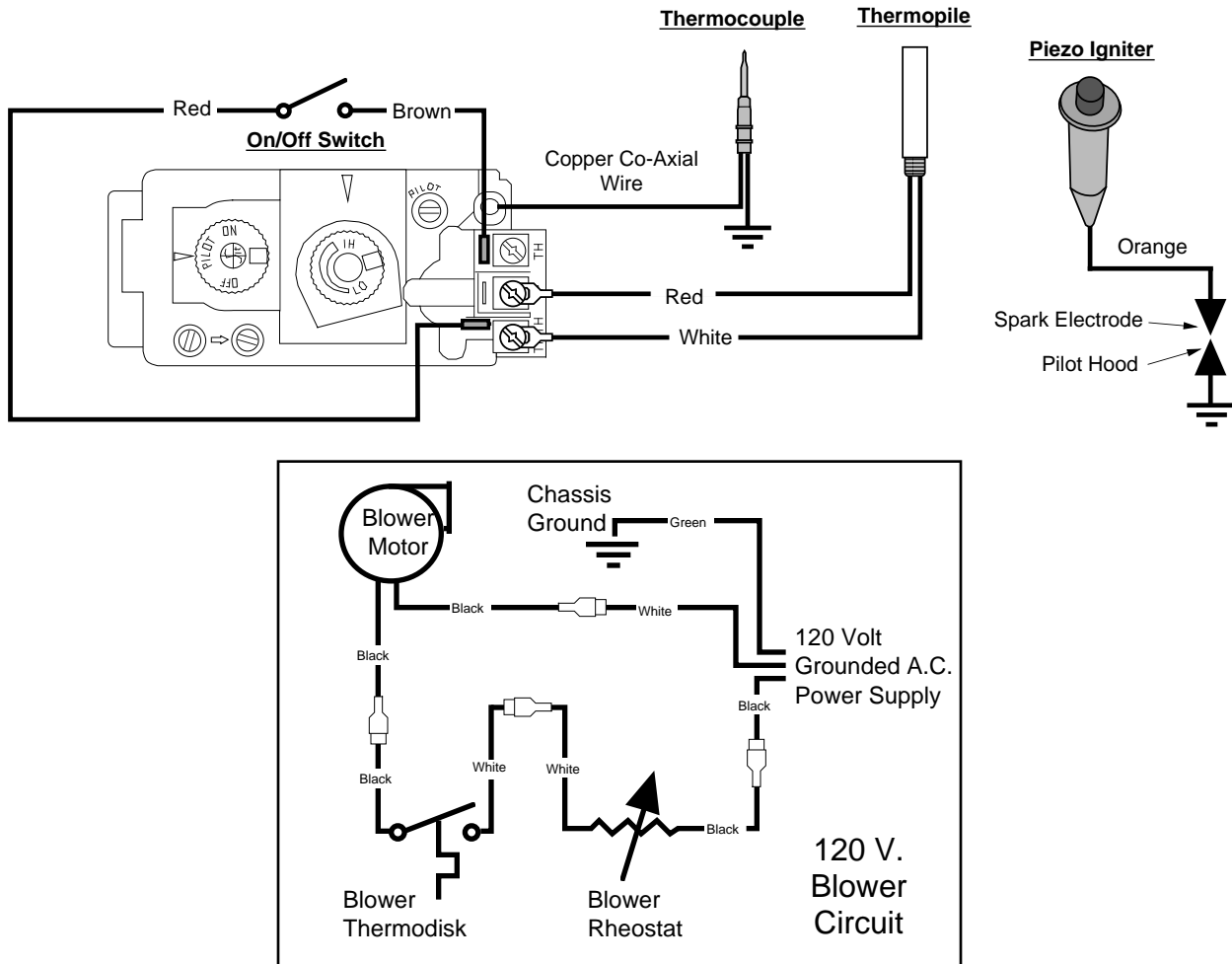
This valve is placed on the gas line to shut off gas to the appliance during maintenance procedures.

Ceramic Glass

The glass in your heater is the most durable glass available. It has been tested to be extremely resistant to breakage from temperature changes.



Wiring Diagram



Caution: Label all wires prior to disconnection when servicing controls. Wiring errors can cause improper and dangerous operation.


Replacement Parts List

Caution: Use only Travis Industries replacement parts. Do not use substitute materials.

Warning: Do not operate appliance with the glass front removed, cracked, or broken. Replacement of the glass should be done by a licensed or qualified service person.

|

The safety (listing) label is on a plate chained to the gas control valve. A copy of the safety label is shown to the right.


Travis Industries, Inc.
 DVL Z.C. Fireplace
 Vented Gas Fireplace Heater (Direct Vent)
 Report No. 08-S-2365

Tested and certified by OMNI Test Laboratories, Inc. to the combustion performance and construction requirements of ANSI Z21.88-2002, applicable sections of UL 307b. Must be installed in accordance with all local codes, if any, if not, follow ANSI Z223.1 and NFPA 54. Installation in Manufactured or Mobile Homes must conform with Manufactured Home Construction and Safety Standard, Title 24 CFR, Part 3280. This appliance is only for use with the type of gas indicated on the rating plate and may be installed in an alternate, permanently located, manufactured (mobile) home where not prohibited by local codes. See owner's manual for details. This appliance is not convertible for use with other gases, unless a certified kit is used. This appliance uses a millivolt-type control system consisting of a gas control valve/regulator, a standing pilot burner assembly, a thermopile, a piezo igniter, and the ON/OFF switch. THIS UNIT DOES NOT REQUIRE 110 VOLT POWER TO OPERATE. All exhaust gases must be vented outside the structure of the living area. Combustion air is drawn from outside the living area structure. The DVL Z.C. is designed to operate on natural gas, or propane (LP-G). This appliance is factory set for use with liquid gas.

WARNINGS:
 Improper installation, adjustment, alteration, service or maintenance can cause injury or property damage. Refer to the information in the owner's and installation manual provided with this appliance. For assistance or additional information consult a qualified installer, service agency or the gas supplier.
 Installation and repair should be performed by a qualified service person. The appliance should be inspected before use and at least annually by a qualified service person. More frequent cleaning may be required where excessive lint from material in the cap and hooding is present. The control compartment, the burner compartment and all other parts of the appliance should be cleaned as often as necessary to prevent the accumulation of lint or debris.
 Due to high temperatures, the appliance should be located out of traffic and away from furniture and draperies.
 This appliance must not be connected to a chimney flue serving a separate solid fuel burning appliance.
 This vented gas fireplace heater is not for use with air filters.
 Operation of this appliance when not connected to a properly installed and maintained venting system can result in carbon monoxide (CO) poisoning and possible death. Children and adults should be alerted to the hazards of high surface temperature and should stay away to avoid flesh burns or clothing ignition.
 Young children should be carefully supervised at all times when they are in the same room as the appliance.

This appliance is a Vented Gas Fireplace Heater. Not for use with Solid Fuel.
CAUTION: Hot while in operation. Do not touch. Keep children, clothing, furniture, gasoline and other liquids having flammable vapors away.
 Do not operate this appliance with glass removed, cracked or broken. Replacement of the panel(s) should be done by a licensed or qualified service person.
 All safety screen or guard components removed for servicing must be replaced prior to operating the appliance.
 Clothing or other flammable material should not be placed on or near the appliance.
 Risk of electrical shock. Switch the household breaker off or remove fuse before servicing unit.
 Use Simpson DURA-VENT direct vent system (Model GS) to vent this appliance to the exterior (direct discharge only without duct connection).


<p>Minimum Clearances to Combustibles</p> <p> Faceplate to Adjacent Wall 6" Wood Floor Beneath Fireplace 0" Back to enclosure 1" Top of enclosure 54.5" to Bottom "Base" of Unit 54.5" * See Owner's Manual For Additional Mantel Clearances and Options. </p>	<p> Hearth Extension in Front - 12", 0" if Fireplace Raised 3" Hearth Extension to Sides of Faceplate 0" Sides to enclosure 1" Faceplate to Mantel (with 8" Mantel) 24" Faceplate Top Facing (with 8" Mantel) 18" Flue Vent 3" Top / 1" Side and Bottom </p>
--	---

FAN TYPE VENTED CIRCULATOR - Blower Electrical Rating: 115 V., 1.5 Amps, 60 Hz, 150 watts

<p>L.P. M.G.</p> <p> Input Rate on "HI" (BTU/Hr) 40,000 40,000 Input Rate on "LO" (BTU/Hr) 29,000 24,500 Maximum Output (BTU/Hr) 29,600 29,000 Main Burner Orifice (DIMS) #55 #45 </p>	<p>L.P. M.G.</p> <p> Minimum Inlet Pressure (inches W.C.) 11.5" 5.5" Maximum Inlet Pressure (inches W.C.) 13" 7" Manifold Pressure on "HI" (inches W.C.) 11" 3.5" Manifold Pressure on "LO" (inches W.C.) 5.9" 2.1" </p>
---	---

This appliance is equipped for installation at 0-2000 ft. .

For altitudes above 2,000 feet, the vent configuration, orifice, or combination of both may need to be changed. See the owner's manual for information on making these changes.

<p> Manufacture <input type="checkbox"/> 2003 <input type="checkbox"/> Jan. <input type="checkbox"/> Apr. <input type="checkbox"/> Jul. <input type="checkbox"/> Oct. <input type="checkbox"/> 2004 <input type="checkbox"/> Feb. <input type="checkbox"/> May <input type="checkbox"/> Aug. <input type="checkbox"/> Nov. Date: <input type="checkbox"/> 2005 <input type="checkbox"/> Mar. <input type="checkbox"/> Jun. <input type="checkbox"/> Sep. <input type="checkbox"/> Dec. </p>	 <p> Travis Industries, Inc. 10850 117th Pl. N.E. Kirkland, WA 98033 (800) 451-3833 </p>
--	--

To register your TRAVIS INDUSTRIES, INC. 7 Year Warranty, complete the enclosed warranty card and mail it within **ten (10)** days of the appliance purchase date to: TRAVIS INDUSTRIES, INC., 10850 117th Place N.E., Kirkland, Washington 98033. TRAVIS INDUSTRIES, INC. warrants this gas appliance (appliance is defined as the equipment manufactured by Travis Industries, Inc.) to be defect-free in material and workmanship to the original purchaser from the date of purchase as follows:

Years 1 & 2 - COVERAGE: PARTS & LABOR

Burner Assembly:

Burner, Burner Pan, Air Shutter Assembly, Main Burner Orifice

Firebox Assembly:

Adjustable Air Restrictor, Pressure Relief Mechanisms, Barometric Control Mechanism (for models with Remote Heat Ducts), Glass Attachment Mechanism

Electrical Assembly (within heater structure):

Blower, wiring harness, snap discs, rheostat speed control

Gold, Nickel & Copper Plating

Face & Door (see "Conditions and Exclusions" # 9)

Gas Control Assembly

Adjustable control valve, millivolt wiring and connectors (located within the metal heater structure), thermopile, thermocouple, pilot hood, orifices, pilot gas line, piezo ignitor

Ceramic Glass

Glass (breakage from thermal shock)

Ceramic Logs

Log Set, Coals, Ember Strip (Steel Fiber)

Accessories

Cast Brick, Cast Firebacks, Power Heat Ducts, Andirons

Convection Heat Exchanger

Re-Installation Allowance

In cases where heater must be removed from home for repairs, a partial cost of re-installation is covered (pre-authorization required)

One-Way Freight Allowance

One-way freight allowance on pre-authorized repair done at factory is covered.

Exclusions: Paint, Gasketing

Years 3 THROUGH 5 - COVERAGE: PARTS & LABOR

Convection Heat Exchanger

Firebox Assembly:

Adjustable Air Restrictor, Pressure Relief Mechanisms, Barometric Control Mechanism (for models with Remote Heat Ducts), Glass Attachment Mechanism

One-Way Freight Allowance

One-way freight allowance on pre-authorized repair done at factory is covered.

Exclusions: Paint, Gasketing, Burner Assembly, Electrical Assembly, Gas Control Assembly, Ceramic Glass, Ceramic Logs, Gold, Nickel & Copper Plating, Accessories, Re-Installation Allowance

Years 6 & 7 - COVERAGE: PARTS ONLY

Firebox Assembly:

Adjustable Air Restrictor, Pressure Relief Mechanisms, Barometric Control Mechanism (for models with Remote Heat Ducts), Glass Attachment Mechanism

Exclusions: Paint, Gasketing, Burner Assembly, Electrical Assembly, Gas Control Assembly, Ceramic Glass, Ceramic Logs, Gold, Nickel & Copper Plating, Accessories, Convection Heat Exchanger, Re-Installation Allowance, One-Way Freight Allowance, Labor

CONDITIONS & EXCLUSIONS

1. This new gas appliance must be installed by a qualified gas appliance technician. It must be installed, operated, and maintained at all times in accordance with the instructions in the Owner's Manual. Any alteration, willful abuse, accident, neglect, or misuse of the product shall nullify this warranty.
2. This warranty is nontransferable, and is made to the ORIGINAL purchaser, provided that the purchase was made through an authorized TRAVIS dealer.
3. Discoloration and some minor expansion, contraction, or movement of certain parts and resulting noise, is normal and not a defect and, therefore, not covered under warranty. The installer must ensure the appliance is burning as per the rating tag at the time of installation. Over-firing (operation above the listed BTU rate) of this appliance can cause serious damage and will nullify this warranty.
4. The warranty, as outlined within this document, does not apply to the chimney components or other Non-Travis accessories used in conjunction with the installation of this product. If in doubt as to the extent of this warranty, contact your authorized TRAVIS retailer before installation.
5. Travis Industries will not be responsible for inadequate performance caused by environmental conditions such as nearby trees, buildings, roof tops, wind, hills or mountains or negative pressure or other influences from mechanical systems such as furnaces, fans, clothes dryers, etc.
6. This Warranty is void if:
 - a. The unit has been operated in atmospheres contaminated by chlorine, fluorine or other damaging chemicals.
 - b. The unit is subject to submersion in water or prolonged periods of dampness or condensation.
 - c. Any damage to the unit, combustion chamber, heat exchanger or other components due to water, or weather damage which is the result of, but not limited to, improper chimney/venting installation.
7. Exclusions to this 7 Year Warranty include: injury, loss of use, damage, failure to function due to accident, negligence, misuse, improper installation, alteration or adjustment of the manufacturer's settings of components, lack of proper and regular maintenance, damage incurred while the appliance is in transit, alteration, or act of God.
8. This 7 Year warranty excludes damage caused by normal wear and tear, such as paint discoloration or chipping, worn or torn gasketing, corroded or cracked logs, embers, etc. Also excluded is damage to the unit caused by abuse, improper installation, modification of the unit, drilling of the orifices, or the use of fuel other than that for which the unit is configured. Units are shipped for natural gas and must be converted to propane using the included conversion kit. Confirm fuel configuration with your installer.
9. Damage to gold or nickel surfaces caused by fingerprints, scratches, melted items, or other external sources left on the gold or nickel from the use of cleaners other than denatured alcohol is not covered in this warranty.
10. TRAVIS INDUSTRIES, INC. is free of liability for any damages caused by the appliance, as well as inconvenience expenses and materials. Incidental or consequential damages are not covered by this warranty. In some states, the exclusion of incidental or consequential damage may not apply.
11. This warranty does not cover any loss or damage incurred by the use or removal of any component or apparatus to or from the gas appliance without the express written permission of TRAVIS INDUSTRIES, INC. and bearing a TRAVIS INDUSTRIES, INC. label of approval.
12. Any statement or representation of TRAVIS products and their performance contained in TRAVIS advertising, packaging literature, or printed material is not part of this 7 year warranty.
13. This warranty is automatically voided if the appliance's serial number has been removed or altered in any way. If the appliance is used for commercial purposes, it is excluded from this warranty.
14. No dealer, distributor, or similar person has the authority to represent or warrant TRAVIS products beyond the terms contained within this warranty. TRAVIS INDUSTRIES, INC. assumes no liability for such warranties or representations.
15. Travis Industries will not cover the cost of the removal or re-installation of hearths, facing, mantels, venting or other components.
16. If for any reason any section of this warranty is declared invalid, the balance of the warranty remains in effect and all other clauses shall remain in effect.
17. THIS 7 YEAR WARRANTY IS THE ONLY WARRANTY SUPPLIED BY TRAVIS INDUSTRIES, INC., THE MANUFACTURER OF THE APPLIANCE. ALL OTHER WARRANTIES, WHETHER EXPRESS OR IMPLIED, ARE HEREBY EXPRESSLY DISCLAIMED AND PURCHASER'S RECOURSE IS EXPRESSLY LIMITED TO THE WARRANTIES SET FORTH HEREIN.

IF WARRANTY SERVICE IS NEEDED:

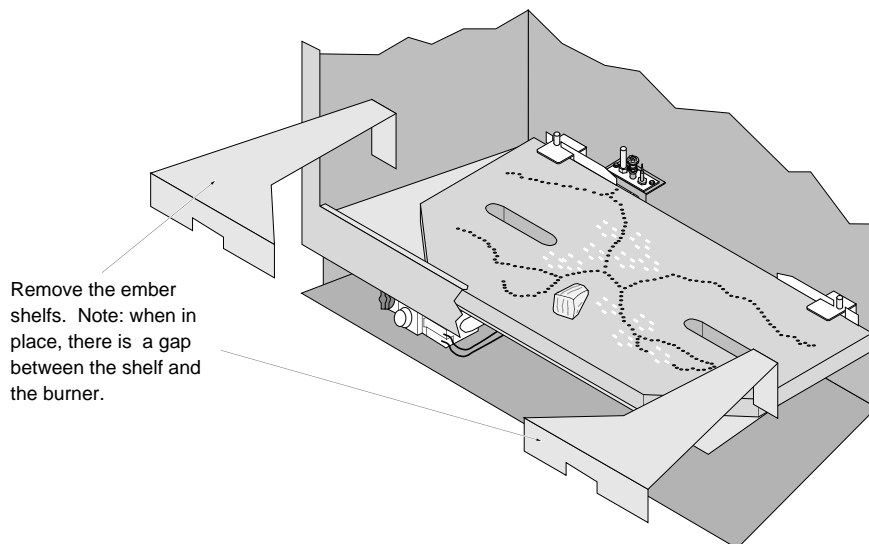
1. If you discover a problem that you believe is covered by this warranty, you MUST REPORT it to your TRAVIS dealer WITHIN 30 DAYS, giving them proof of purchase, the purchase date, and the model name and serial number.
2. Travis Industries has the option of either repairing or replacing the defective component.
3. If your dealer is unable to repair your appliance's defect, he may process a warranty claim through TRAVIS INDUSTRIES, INC., including the name of the dealership where you purchased the appliance, a copy of your receipt showing the date of the appliance's purchase, and the serial number on your appliance. At that time, you may be asked to ship your appliance, freight charges prepaid, to TRAVIS INDUSTRIES, INC. TRAVIS INDUSTRIES, INC., at its option, will repair or replace, free of charge, your TRAVIS appliance if it is found to be defective in material or workmanship within the time frame stated within this 7 year warranty. TRAVIS INDUSTRIES, INC. will return your appliance, freight charges (years 1 to 5) prepaid by TRAVIS INDUSTRIES, INC., to your regional distributor, or dealership.
4. Check with your dealer in advance for any costs to you, when arranging a warranty call. Dealers may require you to pay a service or trip charges for any warranty work. This charge can vary from store to store.

42 Optional Equipment (for qualified installers only)

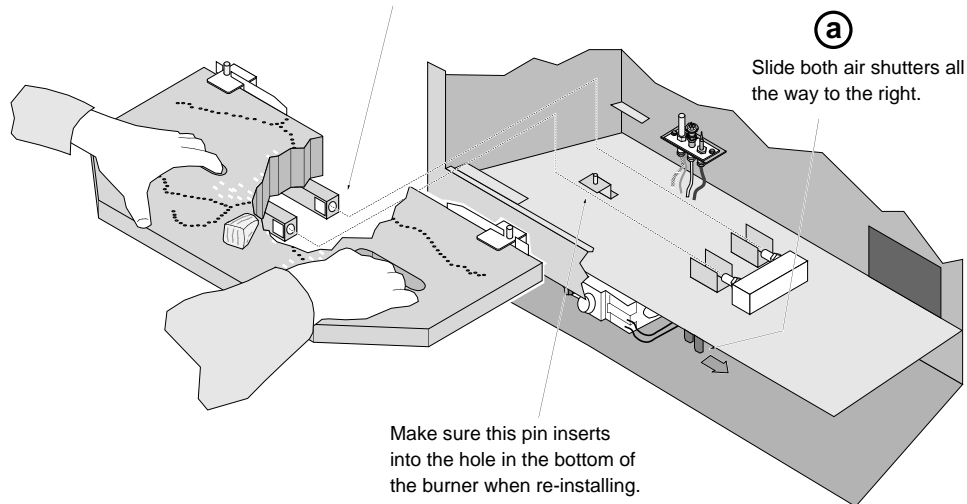
LP Conversion Instructions

Install the conversion kit prior to installing the gas line to ensure proper gas use.

- 1 Remove the glass (see page 28). Remove the logs and coals (if installed - page 29)
- 2 Remove the burner (see illustration below).



(b) Lift slightly on the burner and slide it to the left so the mixing tubes slide off the orifices.

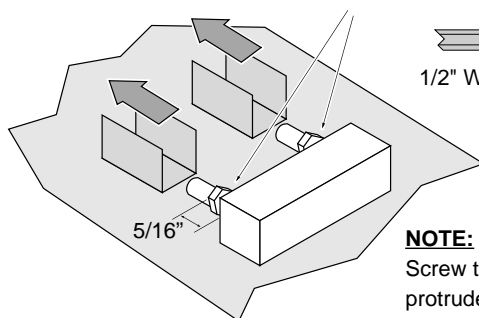


- 3 Follow the directions below to replace the orifice.

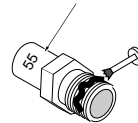
Slide the air shutters to provide better access to the orifices.

Use a 1/2" open end wrench to unscrew the burner orifices.

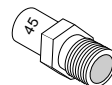
The LP orifices have "55" stamped on them.



1/2" Wrench



Apply thread sealant to the new orifice and install.

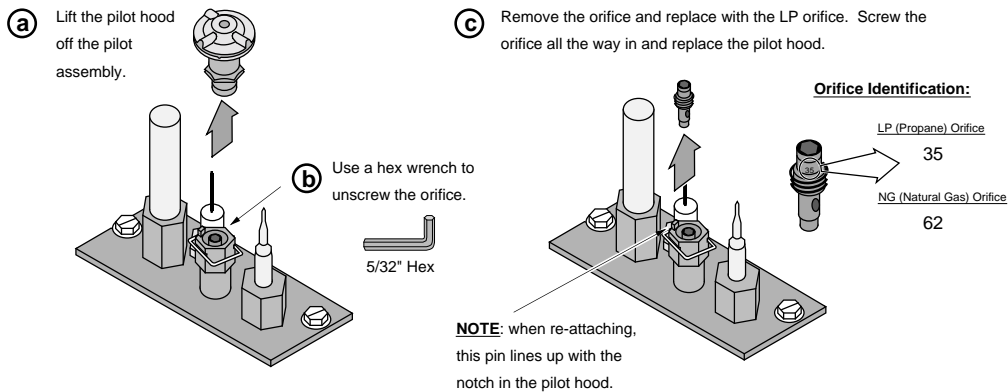


The NG orifices have "45" stamped on them.

NOTE:

Screw the LP orifice in so the orifice shoulder protrudes 5/16" (indicating full insertion).

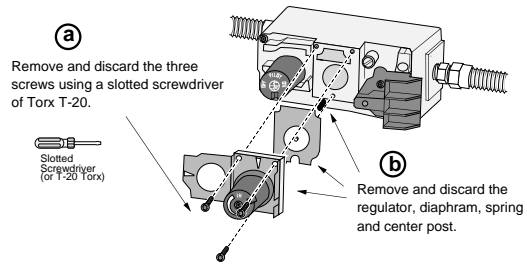
4 Remove the pilot orifice following the instructions below. Replace with the propane pilot orifice



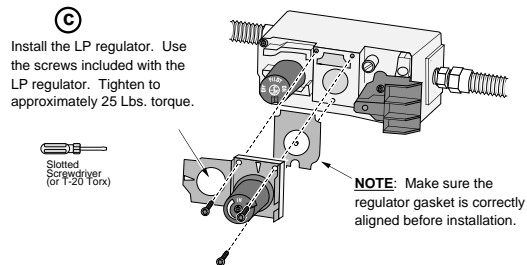
5 Install the logs and embers.

6 Replace glass and face.

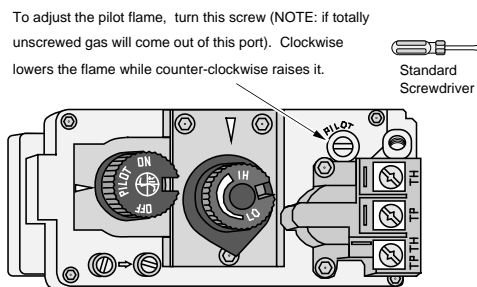
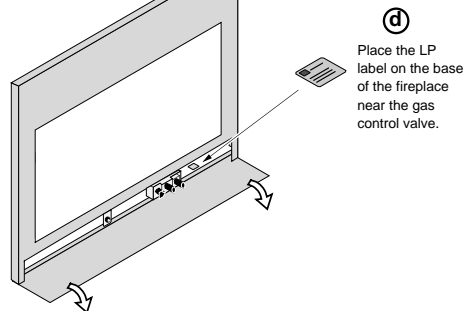
7 Remove the regulator from the front of the gas control valve. Replace with the propane regulator, using the new gasket and screws included with the regulator. **NOTE: Leak test this area after the heater is installed, gas is connected, and the main burner is lit.**



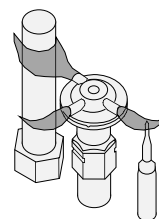
5 Make the gas line connection, bleed the gas line (if applicable), start the heater and thoroughly leak-test all gas connections and the gas control valve. Check the pilot. Adjust if necessary.



WARNING: When lighting or re-lighting the pilot, the glass must be removed (see page 28).



The pilot flame must contact the thermocouple and thermopile (see the illustration below). Adjust the pilot up or down as necessary.



Approved Vent Configurations.....	20	Installation Options	6
Adjusting the Blower Speed.....	35	Items Required for Installation.....	7
Adjusting the Flame Height	34	Leaking Gas	See Inst. on Cover
Air Shutter Adjustment.....	30	Listing Information	40
Altitude Considerations.....	18	Location of Controls.....	32
Blower Control.....	35	Log Set Installation and Removal	29
BTU Input.....	6	Maintenance	36
BTU Output.....	6	Mantel Requirements.....	17
Cap (see vent termination).....	25	Measuring Vent Lengths.....	19
Chimney Cap (see vent termination).....	25	Noise (see Normal Operating Sounds)	35
Chimney Installation (see Vent Requirements).....	20	Normal Operating Sounds.....	35
Clearances.....	8	Packing List.....	7
Condensation on Glass.....	34	Pilot Flame Inspection.....	30
Corner Installation.....	9	Piping Installation (see Gas Line Install).....	26
Dimensions.....	6	Raised Fireplaces	9
Dura-Vent (part numbers).....	18	Restrictor Position	20
Elbows.....	18	Safety Label.....	40
Electrical Connection.....	27	Safety Precautions	4
Face Dimensions.....	13	Starting The Pilot.....	33
Face Installation.....	30	Starting the Fireplace for the First Time.....	34
Facing Requirements.....	11	Turning the Fireplace On and Off.....	34
Finalizing the Installation.....	28	Vent Length (see "Vent Configuration").....	20
Floor Protection (see "Hearth Requirements").....	10	Vent Part Numbers	20
Framing Dimensions	8	Vent Requirements	18
Fuel.....	26	Vertical Vent Termination Requirements	25
Gas Control Valve (Location).....	32	Warnings.....	4
Gas Inlet Pressure.....	26	Warranty.....	41
Gas Line Connection	26	Water on Glass (see Condensation)	34
Gas Line Install.....	26	Weight.....	6
Gas Smell.....	See Inst. on Cover	What Prevents Gas Buildup.....	38
Glass Installation and Removal	28	What Turns the Main Burners On and Off.....	38
Glass, Glass Gasket.....	28	Wiring Diagram.....	39
Hearth Requirements.....	10	Yearly Service Procedure.....	36
Heating Specifications	6		
Horizontal Vent Termination Requirements	25		
How this Fireplace Works.....	38		