



# 864TRV Fireplace

- Installation
- Operation
- Maintenance

Tested and Listed by



OMNI-Test Laboratories, Inc.  
Beaverton, Oregon  
Report # 028-F-59-5  
ANSI Z21.88b-2003

**WARNING: If the information in these instructions is not followed exactly, a fire or explosion may result causing property damage, personal injury or loss of life.**

- Do not store or use gasoline or other flammable vapors and liquids in the vicinity of this or any other appliance.

#### **WHAT TO DO IF YOU SMELL GAS**

- Do not try to light any appliance.
- Do not touch any electrical switch; do not use any phone in your building.
- Immediately call gas supplier from a neighbor's phone. Follow the gas supplier's instructions.
- If you cannot reach your gas supplier, call the fire department.
- Installation and service must be performed by a qualified installer, service agency or the gas supplier.

This appliance may be installed as an OEM installation in a manufactured (mobile) home and must be installed in accordance with the manufacturer's instructions and the manufactured home construction and safety standard, Title 24 CFR, Part 3280.

This appliance is only for use with the type(s) of gas indicated on the rating plate. A conversion kit is supplied with the appliance.

## Owner's Manual



**TRAVIS INDUSTRIES  
HOUSE OF FIRE**

4800 Harbour Pointe Blvd. SW  
Mukilteo, WA 98275

**Installer:** After installation give this manual to the home-owner and explain operation of this heater.

© Copyright 2005, T.I.      \$10.00      100-01168      4050207

## Introduction

We welcome you as a new owner of a 864 TRV gas fireplace. In purchasing this fireplace you have joined the growing ranks of concerned individuals whose selection of an energy system reflects both a concern for the environment and aesthetics. It is one of the finest home heaters the world over. This manual will explain the installation, operation, and maintenance of this fireplace. Please familiarize yourself with the Owner's Manual before operating your heater and save the manual for future reference. Included are helpful hints and suggestions that will make the operation and maintenance of your new fireplace an easier and more enjoyable experience. We offer our continual support and guidance to help you achieve the maximum benefit and enjoyment from your heater.

## Important Information

No other 864 TRV gas fireplace has the same serial number as yours. The serial number is below and to the left of the gas control valve.

This serial number will be needed in case you require service of any type.

Model: 864TRV Fireplace

Serial Number: \_\_\_\_\_

Purchase Date: \_\_\_\_\_

Purchased From: \_\_\_\_\_

\_\_\_\_\_

\_\_\_\_\_

\_\_\_\_\_

### Mail your Warranty Card Today, and Save Your Bill of Sale.

To receive full warranty coverage, you will need to show evidence of the date you purchased your heater. Do not mail your Bill of Sale to us.

We suggest that you attach your Bill of Sale to this page so that you will have all the information you need in one place should the need for service or information occur.

**NATIONAL  
FIREPLACE  
INSTITUTE**



**CERTIFIED**  
www.nficertified.org

We suggest that our gas hearth products be installed and serviced by professionals who are certified in the U.S. by the National Fireplace Institute® (NFI) as NFI Gas Specialists.

## **Introduction and Important Information**

Introduction and Important Information..... 2

## **Safety Precautions**

Safety Precautions..... 4

## **Features and Specifications**

Features..... 6  
 Installation Options..... 6  
 Heating Specifications..... 6  
 Dimensions..... 6

## **Installation**

Installation Overview..... 8  
 Recommended Installation Procedure..... 8  
 Top Vent or Rear Vent Configuration..... 9  
     Converting the Fireplace to Top Vent Configuration..... 9  
 Fireplace Placement Requirements..... 11  
     Clearances..... 11  
         Minimum Framing Dims - Rear Vent Configuration..... 12  
         Minimum Framing Dims - Top Vent Configuration..... 13  
         Nailing Brackets..... 14  
         Corner Installations - Rear Vent Configuration..... 15  
         Corner Installations - Top Vent Configuration..... 16  
         Raised Fireplaces..... 17  
 Gas Line Requirements..... 18  
     Gas Line Location..... 18  
     Fuel..... 18  
     Gas Line Connection..... 18  
     Gas Inlet Pressure..... 18  
 Electrical Connection (required)..... 20  
     Electrical Line Location..... 20  
 Vent Requirements..... 21  
     Vent Clearances..... 21  
     Altitude Considerations..... 21  
     Approved Vent..... 22  
     Vent Installation..... 22  
 Approved Vent Configurations..... 23  
     Restrictor Position..... 23  
     Exhaust Restrictor Adjustment..... 23  
     Intake Restrictor Adjustment..... 24  
     Diffuser Adjustment..... 25  
 Rear Vent Config w Hor Termination (no vertical rise).... 26  
 Rear Vent Config w Hor Termination (with vertical rise)... 27  
 Rear Vent Configuration with Vertical Termination..... 28  
 Top Vent Configuration with Horizontal Termination..... 29  
 Top Vent Configuration with Vertical Termination..... 30  
 Termination Requirements..... 31  
 Hearth Requirements..... 32  
 Facing Requirements..... 33  
     Drywall Installation..... 33  
     Facing Overview..... 34  
     Thin Facing Installation (tile, marble, etc.)..... 35  
     Thick Facing Installation (stone, brick, etc.)..... 37  
     Thick Facing w Fireplace Xtrordinair Face..... 38  
 Mantel Requirements..... 40

## **Finalizing the Installation**

Glass Frame Removal and Installation..... 41  
 Glass Frame Removal and Installation (continued)..... 42  
 Log Set Installation..... 43  
     Rear Log Installation..... 43  
     Left Log Installation..... 44  
     Middle Log Installation..... 45  
     Right Log Installation..... 46  
     Ember Installation..... 47  
 Steps for Finalizing the Installation..... 48  
     Pilot Flame Inspection..... 48  
     Air Shutter Adjustment..... 49

## **Operation**

Before You Begin..... 51  
 Location of Controls..... 51  
 Starting The Pilot Flame..... 52  
 Starting the Fireplace for the First Time..... 53  
 Turning the Fireplace On and Off..... 53  
 Adjusting the Flame Height..... 53  
 Adjusting the Optional Blower Speed..... 54  
 Normal Operating Sounds..... 54  
 Normal Operating Odors..... 54

## **Maintenance**

Maintaining Your Fireplace's Appearance..... 55  
 Yearly Service Procedure..... 55  
 Glass Cleaning..... 56  
 Troubleshooting Table..... 57  
 How this Fireplace Works..... 58  
     What Turns the Main Burners On and Off..... 58  
     What Prevents Gas Buildup..... 58  
 Wiring Diagram..... 59  
 Replacement Parts List..... 59  
     Listing Label..... 60

## **Safety Label**

Safety Label..... 60

## **Warranty**

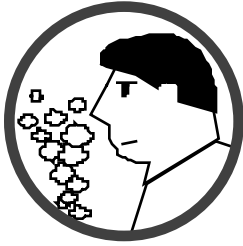
Warranty..... 58

## **Optional Equipment**

LP Conversion Instructions..... 62  
 Fireback Installation..... 65  
 Wall Switch..... 66  
 Blower Installation..... 67  
 Grill Installation..... 69  
 Remote Control Receiver Installation..... 70

## **Index**

Index..... 78

**IF YOU SMELL GAS:**

**Do not light any appliance**

**Extinguish any open flame**

**Do not touch any electrical switch or plug or unplug anything**

**Open windows and vacate building**

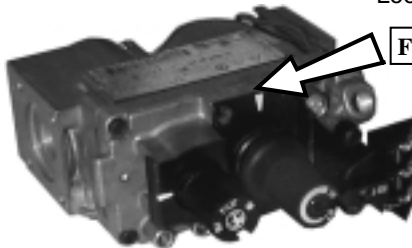
**Call gas supplier from neighbor's house, if not reached, call fire department**



This unit must be installed by a qualified installer to prevent the possibility of an explosion. Your dealer will know the requirements in your area and can inform you of those people considered qualified. The room heater should be inspected and cleaned before use and at least annually by a qualified service person. More frequent cleaning may be required due to excessive lint from carpeting, bedding material, etc.

The instructions in this manual must be strictly adhered to. Do not use makeshift methods or compromise in the installation. Improper installation will void the warranty and safety listing.

Look for this label:



**For LPG only | Pout 11" W.C.**

If the label is present, the heater is equipped for LP (propane). If the label is absent, the heater is equipped for NG (natural gas).

This heater is either approved for natural gas (NG) or for propane (LP). Burning the incorrect fuel will void the warranty and safety listing and may cause an extreme safety hazard. Direct questions about the type of fuel used to your dealer. Check the label and flame adjust knob on the gas control valve.



Contact your local building officials to obtain a permit and information on any installation restrictions or inspection requirements in your area. Notify your insurance company of this heater as well.



If the flame becomes sooty, dark orange in color, or extremely tall, do not operate the heater. Call your dealer and arrange for proper servicing.



It is imperative that control compartments, screens, or circulating air passageways of the heater be kept clean and free of obstructions. These areas provide the air necessary for safe operation.



Do not operate the heater if it is not operating properly in any fashion or if you are uncertain. Call your dealer for a full explanation of your heater and what to expect.



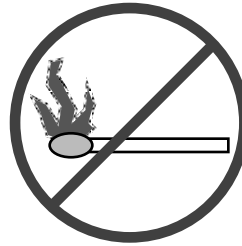
Do not store or use gasoline or other flammable liquids in the vicinity of this heater.



Do not operate if any portion of the heater was submerged in water or if any corrosion occurs. Immediately call a qualified service technician to inspect the appliance and to replace any part of the control system and any gas control that has been under water.



Do not place clothing or other flammable items on or near the heater. Because this heater can be controlled by a thermostat there is a possibility of the heater turning on and igniting any items placed on or near it.



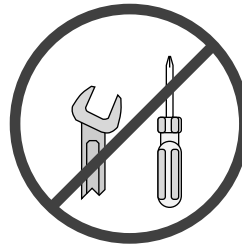
Light the heater using the built-in piezo igniter. Do not use matches or any other external device to light your heater.

Allow the heater to cool before carrying out any maintenance or cleaning.



The viewing glass should be opened only for lighting the pilot or conducting service. Do not operate with cracked, broken, or removed glass.

Any safety screen or guard removed for servicing must be replaced prior to operating the heater.

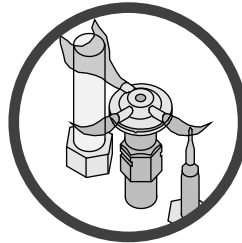


Never remove, replace, modify or substitute any part of the heater unless instructions are given in this manual. All other work must be done by a trained technician. Don't modify or replace orifices.



Operate the heater according to the instructions included in this manual.

If the main burners do not start correctly turn the gas off at the gas control valve and call your dealer for service.



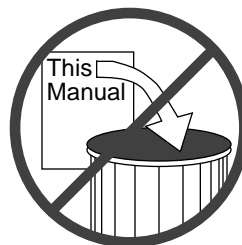
The pilot flame must contact the thermopile and thermocouple (see the illustration to the left). If it does not, turn the gas control valve to "OFF" and call your dealer.



This unit is not for use with solid fuel

Do not place anything inside the firebox (except the included fiber logs).

If the fiber logs become damaged, replace with Travis Industries log set.



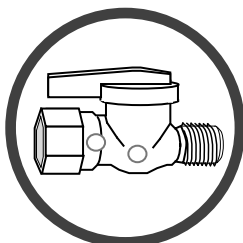
Do not throw this manual away. This manual has important operating and maintenance instructions that you will need at a later time. Always follow the instructions in this manual.



Children and adults should be alerted to the hazards of high surface temperature and should stay away to avoid burns or clothing ignition. Young children should be supervised when they are in the same room as the heater.



**Travis Industries, Inc. grants no warranty, implied or stated, for the installation or maintenance of your heater, and assumes no responsibility of any consequential damage(s).**



Instruct everyone in the house how to shut gas off to the appliance and at the gas main shutoff valve. The gas main shutoff valve is usually next to the gas meter or propane tank and requires a wrench to shut off.

**Features**

- Works During Power Outages (millivolt system)
- Optional Thermostat or Remote Control
- Realistic "Wood Fire" Look
- Optional Blower for Effective Heat Distribution
- Convenient Operating Controls
- Variable-Rate Heat Output
- Low Maintenance

**Installation Options**

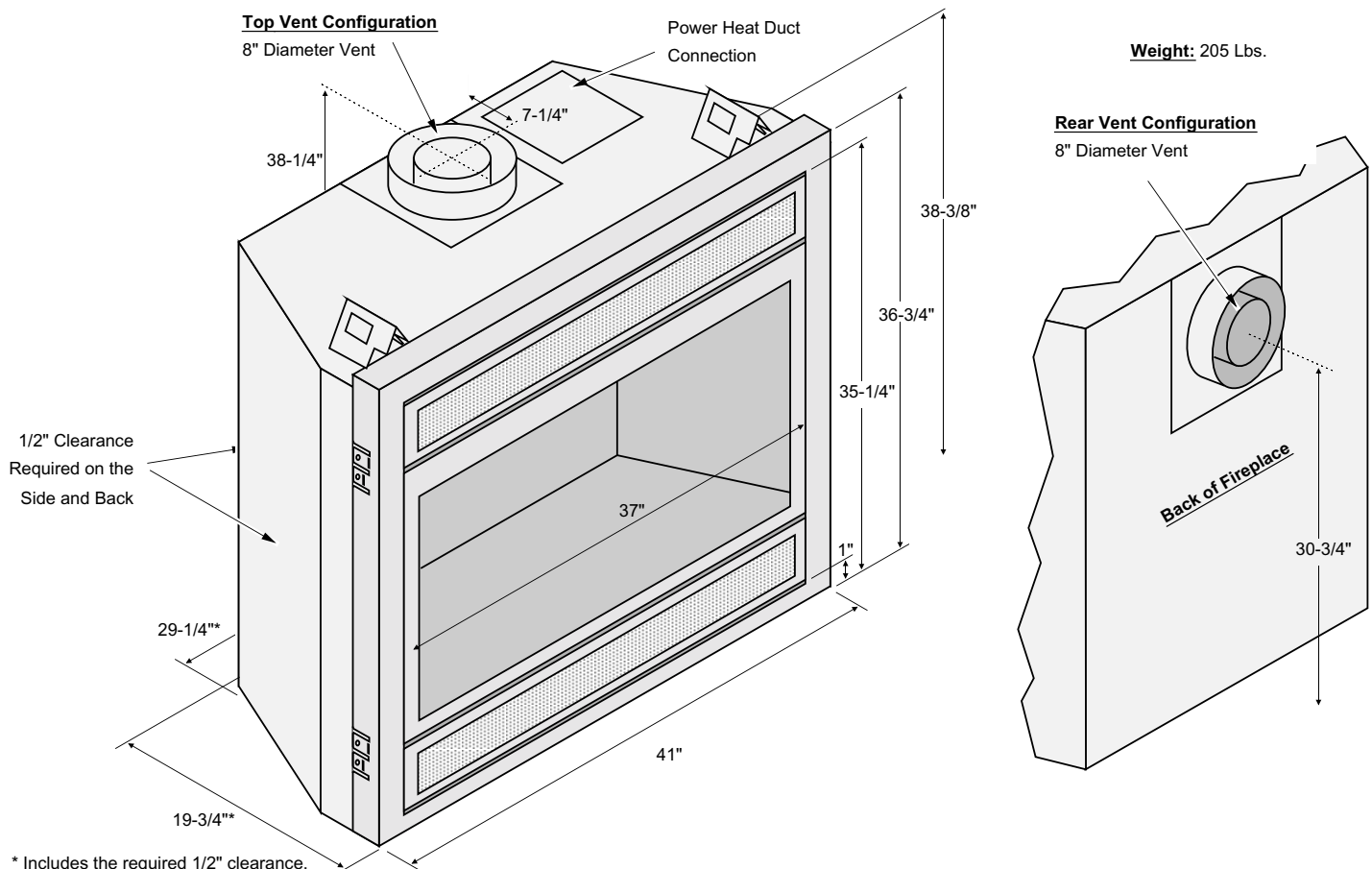
- Residential or Mobile Home
- Straight or Corner Placement
- Flush or Recessed Face
- Raised or Floor Placement
- Internal or External Chase
- Horizontal or Vertical Vent
- Bedroom Approved

**Heating Specifications**

	Natural Gas	Propane
Approximate Heating Capacity (in square feet)*	450 to 1,400	450 to 1,400
Maximum BTU Input Per Hour	31,000	31,000
Minimum BTU Output on Low	6,700	5,200
Steady State Efficiency** (with blowers on)	77.2 %	78.4 %
AFUE (Annual Fuel Utilization Efficiency)	68.3 %	69.4 %

\* Heating capacity will vary with floor plan, insulation, and outside temperature.

\*\* Efficiency rating is a product thermal efficiency rating determined under continuous operation independent of installed system.

**Dimensions**

### ***Installation Warnings***

---

- **Failure to follow all of the requirements may result in property damage, bodily injury, or even death.**
- **This heater must be installed by a qualified installer who has gone through a training program for the installation of direct vent gas appliances.**
- **This appliance must be installed in accordance with all local codes, if any; if not, follow ANSI Z223.1 and NFPA 54(88).**
- **In Manufactured or Mobile Homes must conform with Manufactured Home Construction and Safety Standard, Title 24 CFR, Part 3280, or, when such a standard is not applicable, the Standard for Manufactured Home Installations, ANSI/NCSBCS A225.1. This appliance may be installed in Manufactured Housing only after the home is site located.**
- **The fireplace is designed to operate on natural gas, or propane (LP).**
- **All exhaust gases must be vented outside the structure of the living-area. Combustion air is drawn from outside the living-area structure.**
- **Notify your insurance company before hooking up this fireplace.**
- **The requirements listed below are divided into sections. All requirements must be met simultaneously. The order of installation is not rigid – the qualified installer should follow the procedure best suited for the installation.**

### ***Packing List***

---

- Propane Conversion Kit
- Log Set
- Glass Latch Key (to un-latch glass frame)
- Wall Switch with Wire (see page 66 for details)
- Firestop

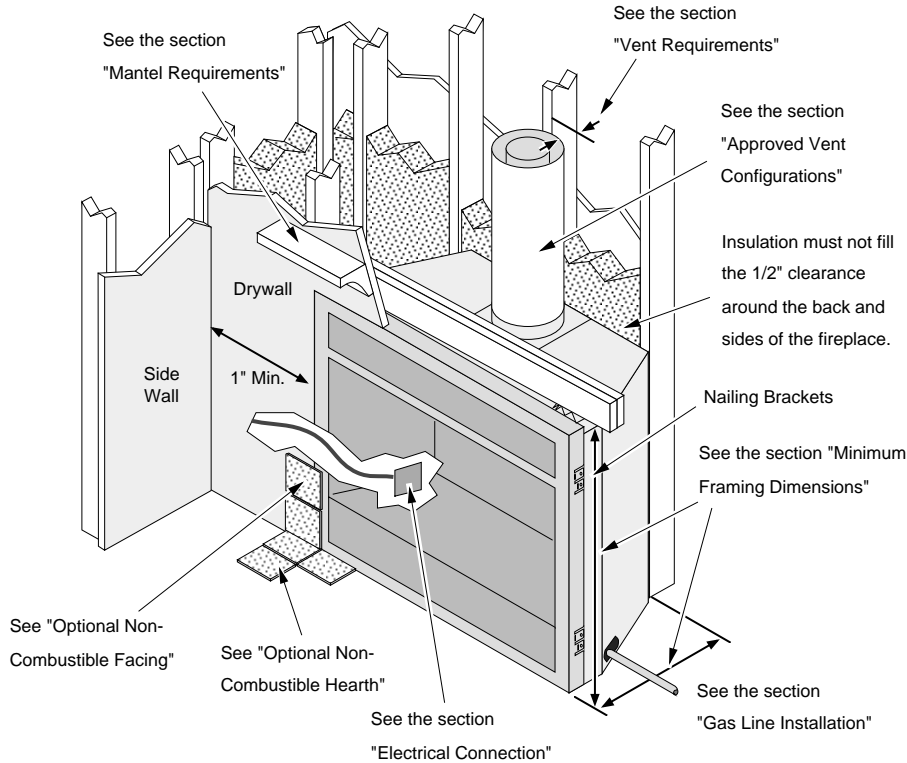
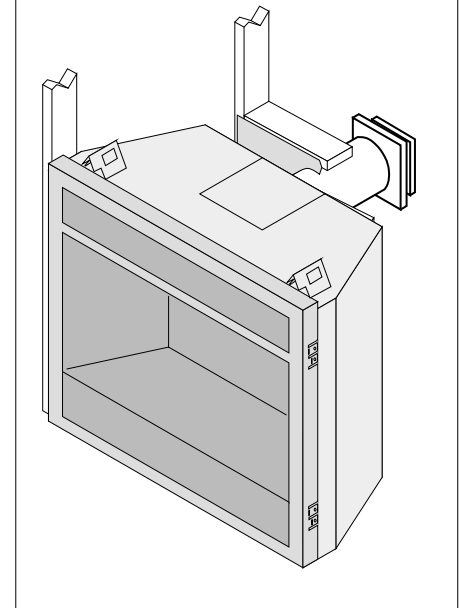
### ***Additional Items Required***

---

- Direct Vent
- Gas Line Equipment (shutoff valve, pipe, etc.)
- Electrical Equipment (min. 14 gauge, grounded line)

***Installation Overview***

- All requirements below must be met.

**Top Vent Configuration****Rear Vent Configuration*****Recommended Installation Procedure***

- Frame the opening for the fireplace. Make sure to allow for vent installation.
- This fireplace is designed to accommodate 1/2" or 5/8" drywall (see "Nailing Brackets" on page 14 for details). Secure the fireplace to the framing.
- Complete the gas line installation.
- Complete the electrical hook-up.
- Complete the vent installation.
- Install the hearth (if applicable).
- Install the facing (if applicable).
- Install the mantel (if applicable).



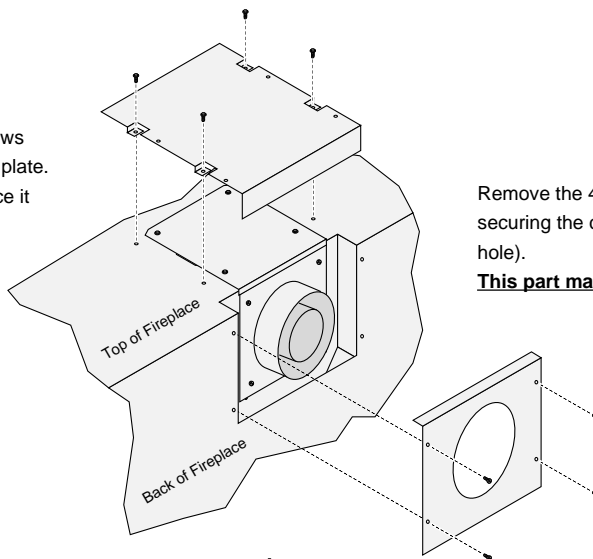
## Top Vent or Rear Vent Configuration

This appliance is shipped in the rear vent configuration. To change to the top vent configuration, follow the directions below.

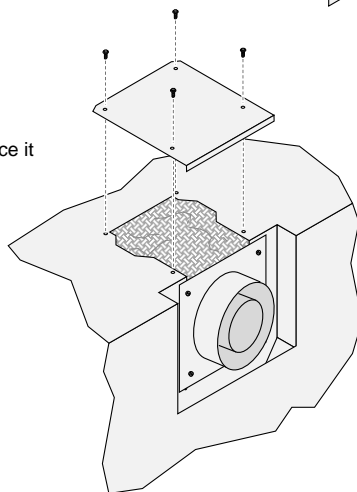
**NOTE:** the vent configuration affects several aspects of installation (framing, maximum vent rise, maximum vent run). When reviewing the installation requirements make sure to pay attention to the type of configuration being used.

### Converting the Fireplace to Top Vent Configuration

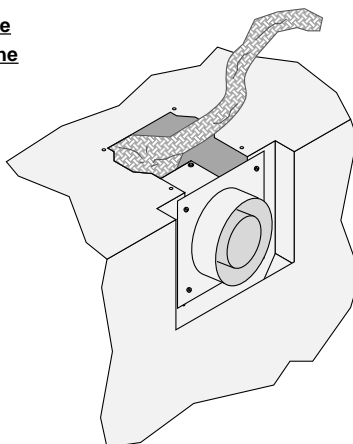
Remove the 4 screws securing the cover plate. Remove it and place it aside.



Remove the 4 screws securing the intake cover plate. Remove it and place it aside.

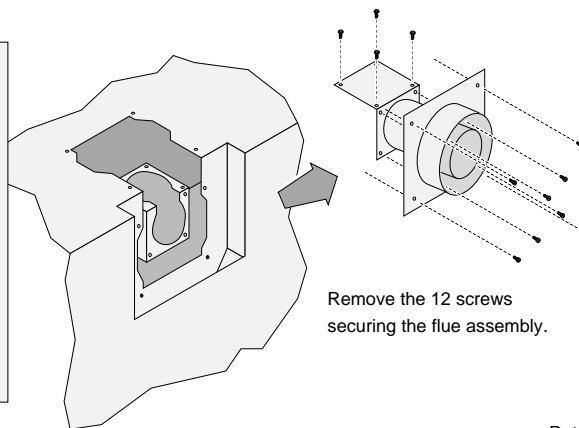
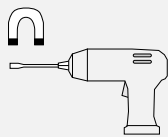


**Remove and discard the insulation found near the flue assembly.**

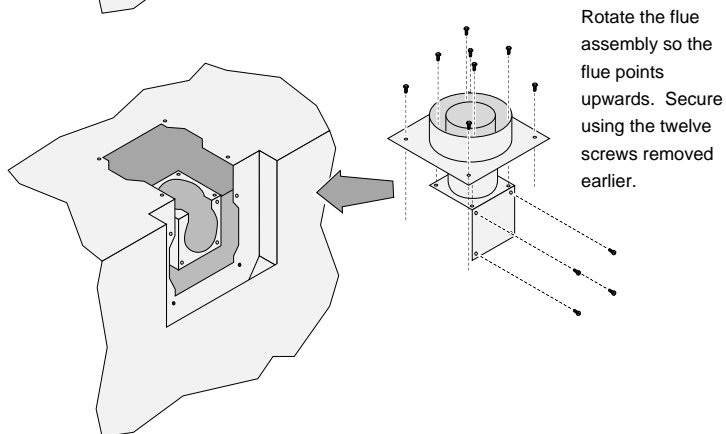


## Converting the Fireplace to Top Vent (continued)

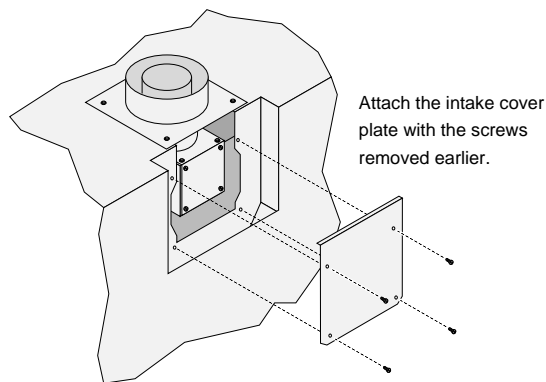
**NOTE:** Use a magnetic-tipped nutdriver on these screws - take care to prevent the screws from falling into the fireplace.



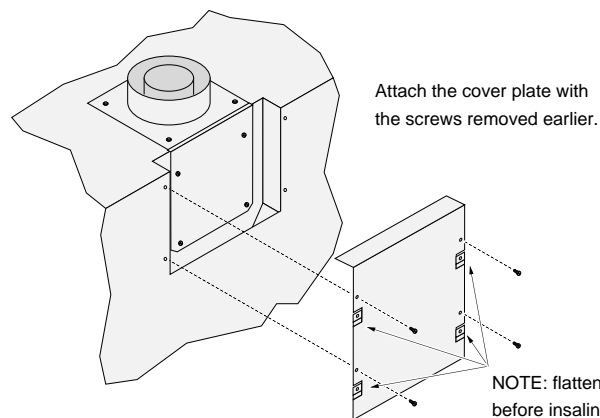
Remove the 12 screws securing the flue assembly.



Rotate the flue assembly so the flue points upwards. Secure using the twelve screws removed earlier.



Attach the intake cover plate with the screws removed earlier.



Attach the cover plate with the screws removed earlier.

**NOTE:** flatten the four legs before insaling the cover plate.

***Fireplace Placement Requirements***

---

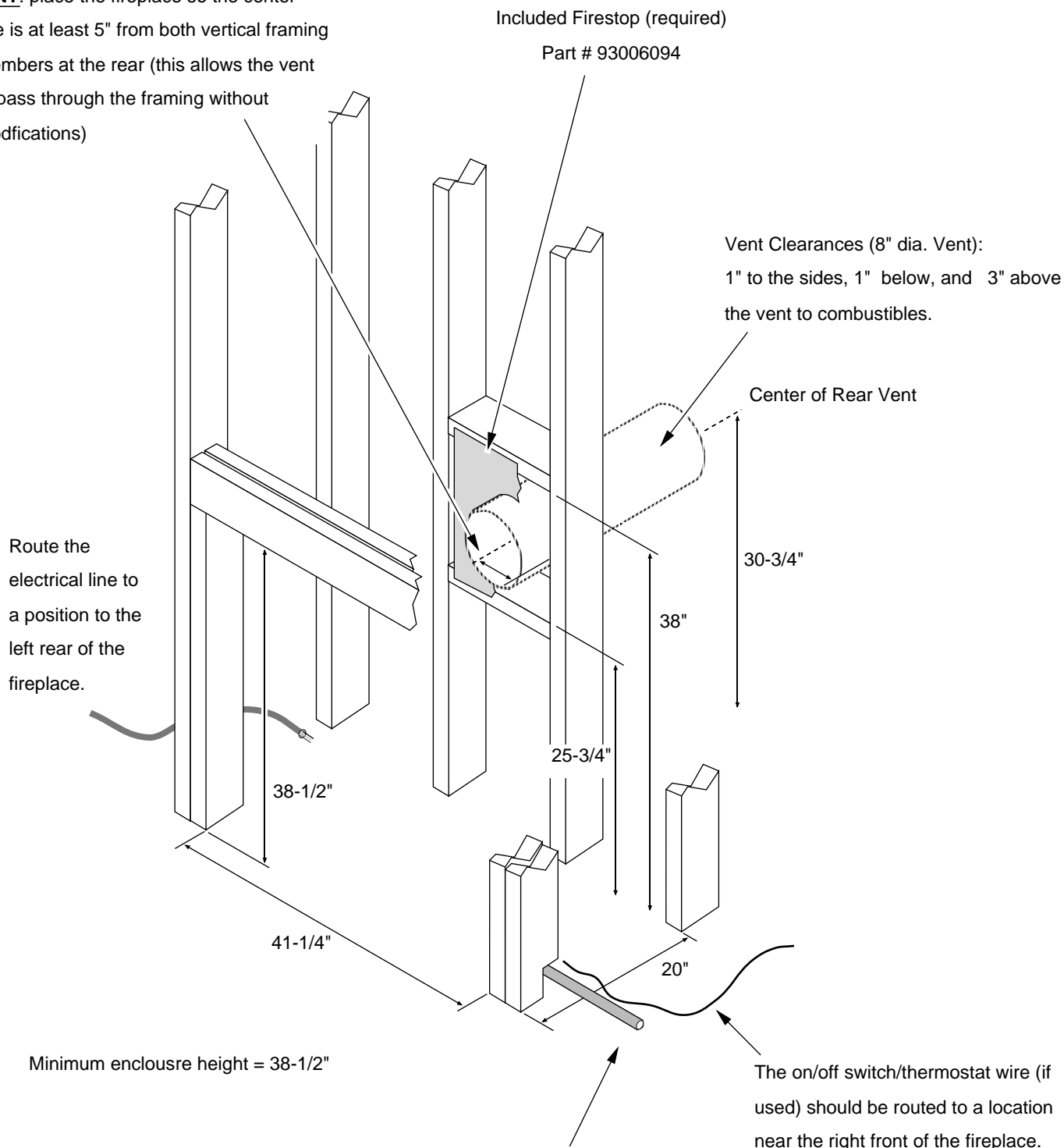
- The fireplace requires a 1/2" space between the fireplace and the framing members (or other materials) along the sides and back of the fireplace. No material may be placed into the 1/2" space (insulation, framing, must maintain 1/2" clearance).
- Fireplace must be installed on a level surface capable of supporting the fireplace and vent
- Fireplace must be placed directly on wood or non-combustible surface (not on linoleum or carpet)
- This heater may be placed in a bedroom. Please be aware of the large amount of heat this appliance produces when determining a location.

**Clearances**

- When installed, walls in front of the fireplace must be a minimum 1" to the side of the fireplace.
- Due to the high temperature, the heater should be located out of traffic and away from furniture and draperies.
- Fireplace must be placed so the vents below and above the glass do not become blocked

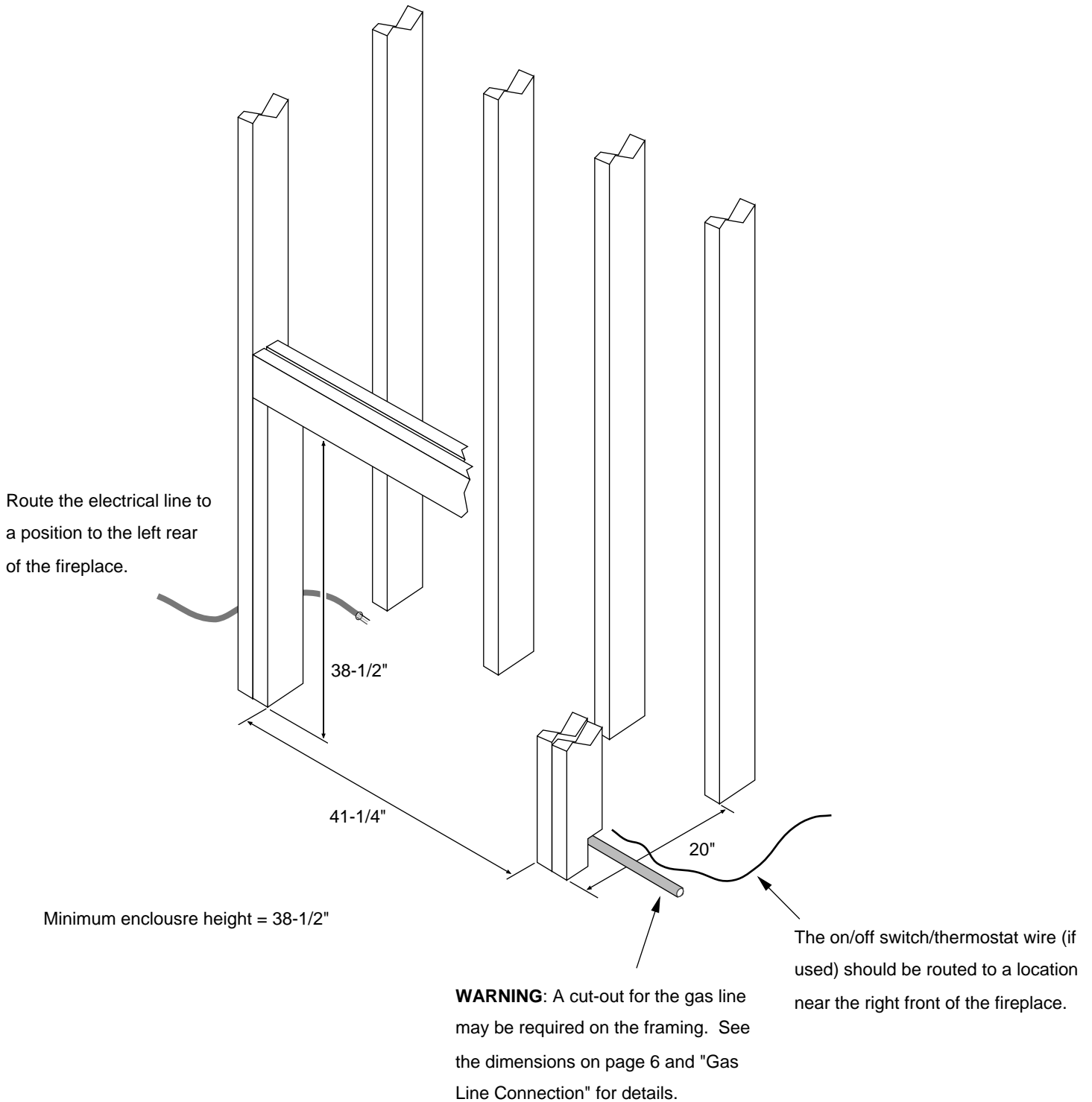
Minimum Framing Dimensions - Rear Vent Configuration

**HINT:** place the fireplace so the center line is at least 5" from both vertical framing members at the rear (this allows the vent to pass through the framing without modifications)



**WARNING:** A cut-out for the gas line may be required on the framing. See the dimensions under "Gas Line Connection" for details.

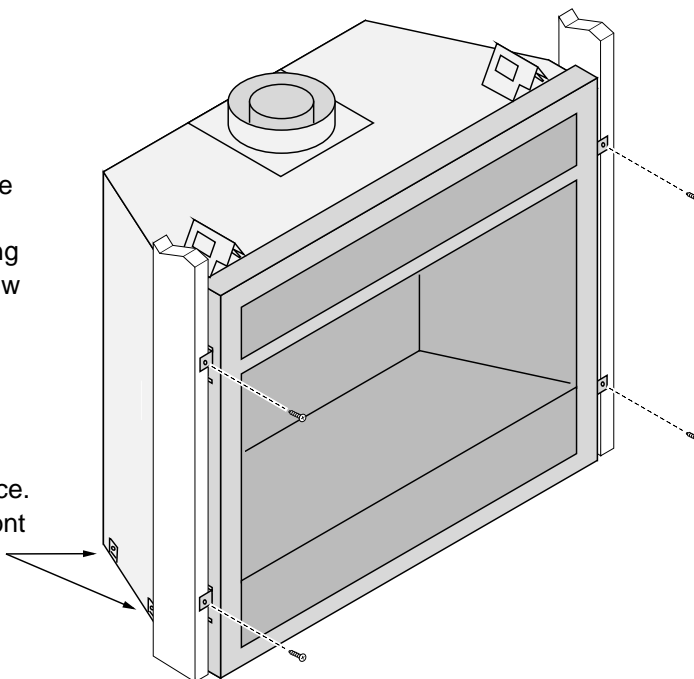
## Minimum Framing Dimensions - Top Vent Configuration



**Nailing Brackets**

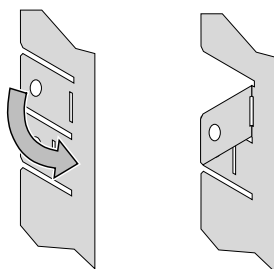
There are four nailing brackets on the front of the fireplace. Follow the directions below to prepare the nailing brackets. Once in place, nail or screw the nailing brackets to the framing.

: Additional nailing brackets are provided along the base of the fireplace. Use these brackets if not using the front brackets.

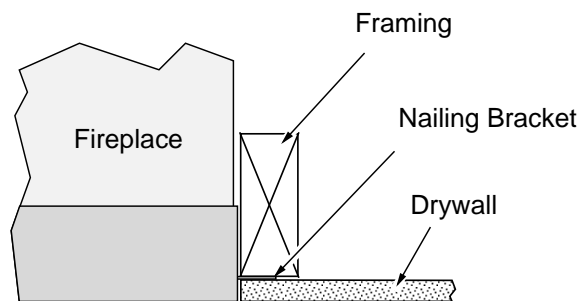


**1/2" Drywall**

For installations using 1/2" facing fold the larger tab out 90° (use a screwdriver if necessary).

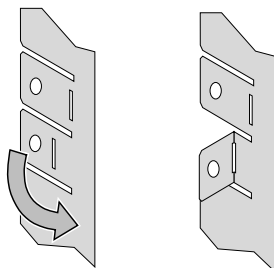


**TOP VIEW**

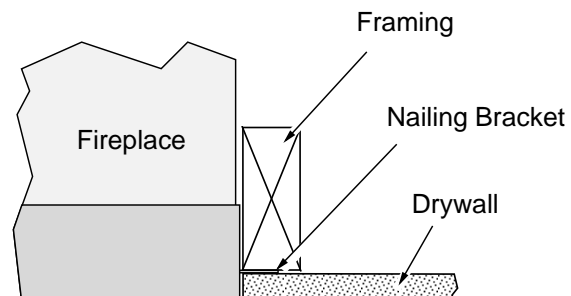


**5/8" Drywall**

For installations using 5/8" drywall fold the shorter tab out 90° (use a screwdriver if necessary).

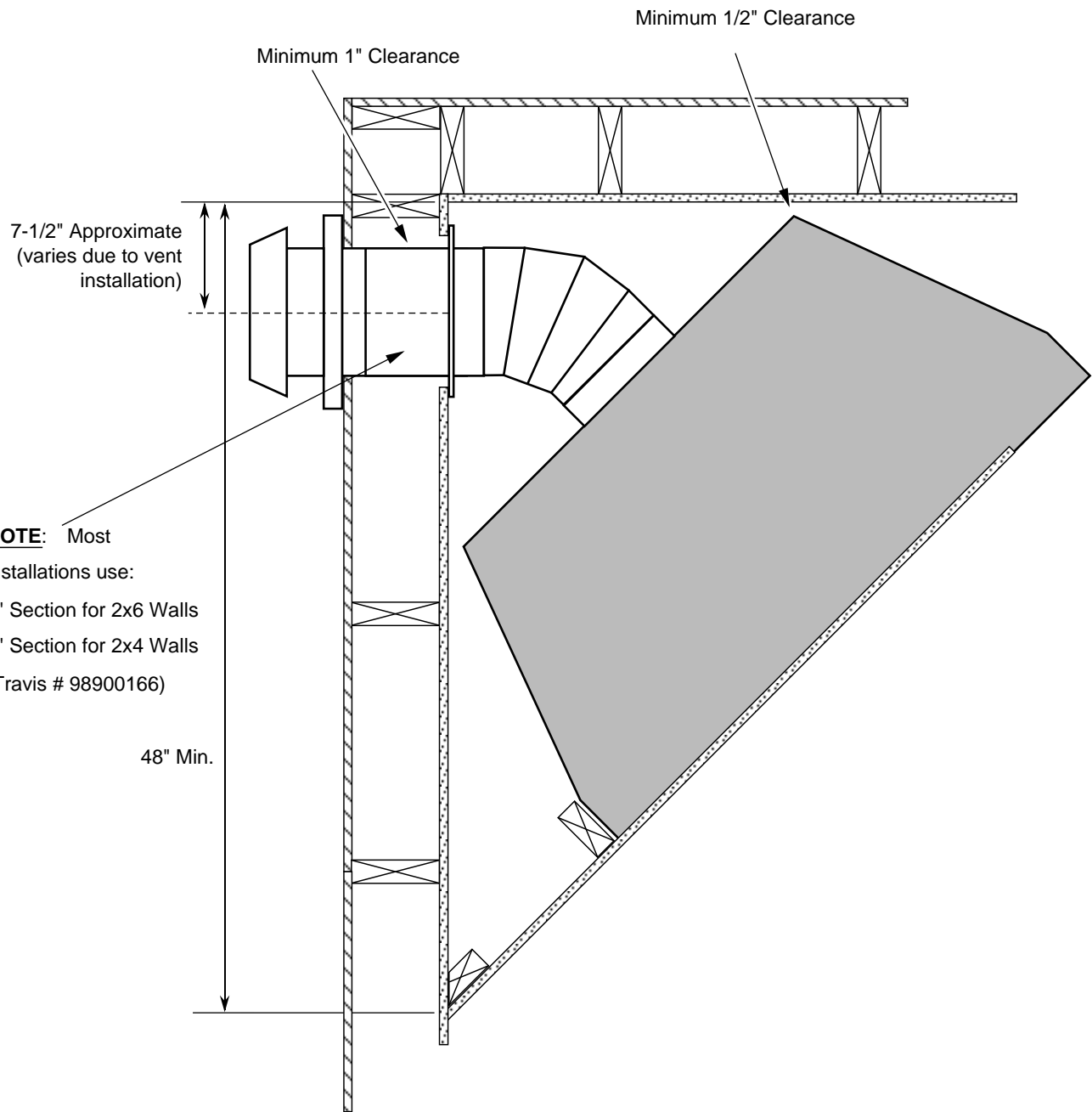


**TOP VIEW**



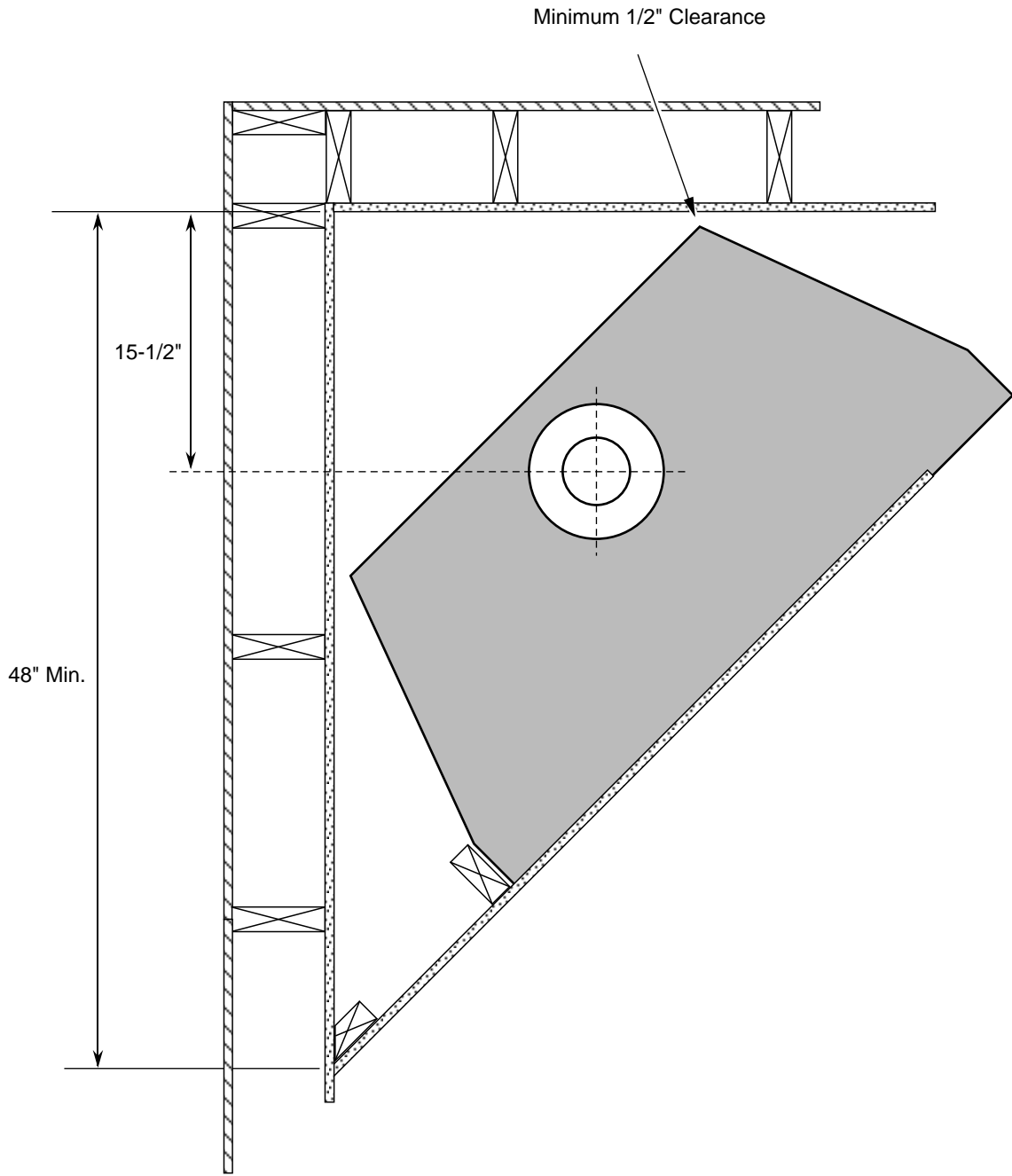
## Corner Installations - Rear Vent Configuration

A typical 45° installation uses the framing dimensions shown in the illustration below (NOTE: all clearances still apply).



Corner Installations - Top Vent Configuration

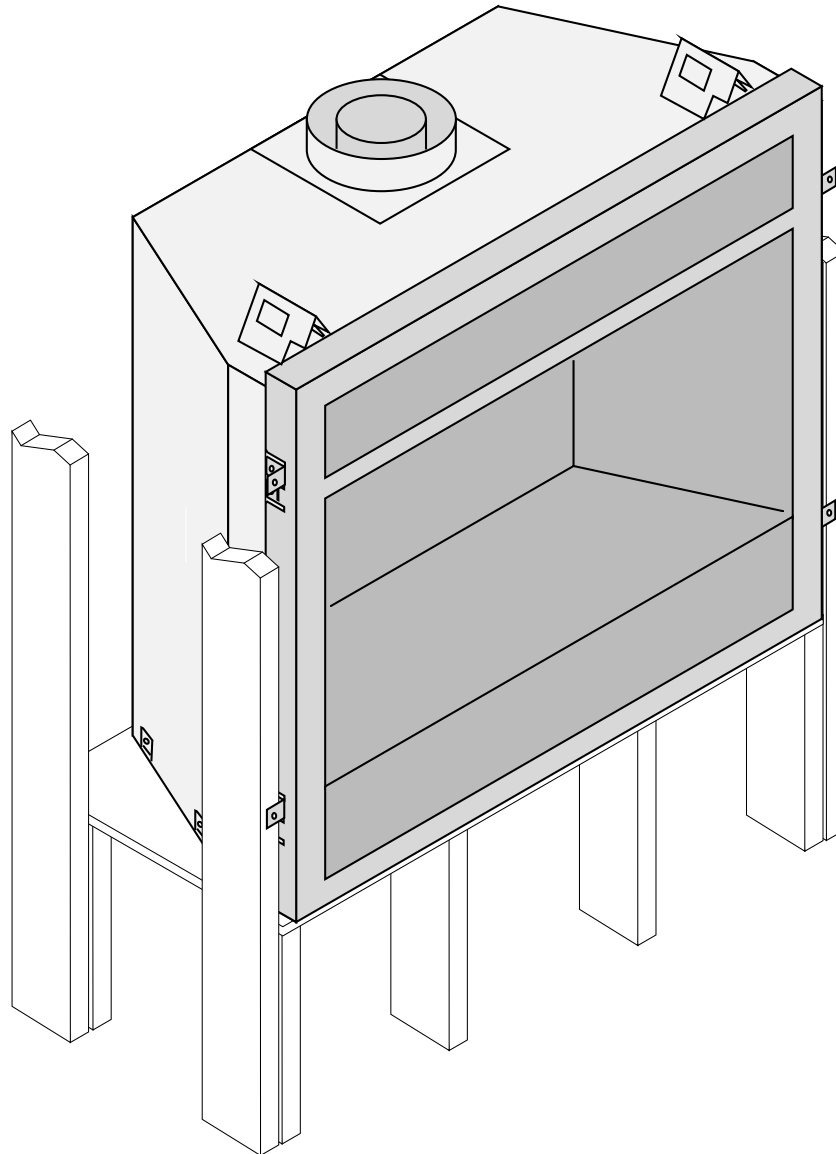
A typical 45° installation uses the framing dimensions shown in the illustration below (NOTE: all clearances still apply).





## Raised Fireplaces

- The fireplace (and hearth, if desired) may be placed on a platform designed to support the fireplace (205 Lbs.) and vent.



## Gas Line Requirements

### MASSACHUSETTS INSTALLATIONS - **WARNING:**

THIS PRODUCT MUST BE INSTALLED BY A LICENSED PLUMBER OR GAS FITTER WHEN INSTALLED WITHIN THE COMMONWEALTH OF MASSACHUSETTS.

#### OTHER MASSACHUSETTS CODE REQUIREMENTS:

- Flexible connector must not be longer than 36 inches.
- Shutoff valve must be a "T" handle gas cock.
- Only direct vent sealed combustion products are approved for bedrooms or bathrooms.
- Fireplace dampers must be removed or welded in the open position prior to the installation of a fireplace insert or gas log.
- The gas line must be installed in accordance with all local codes, if any; if not, follow ANSI 223.1 and the requirements listed below.
- The fireplace and gas control valve must be disconnected from the gas supply piping during any pressure testing of that system at test pressures in excess of 1/2 psig. For pressures under 1/2 psig, isolate the gas supply piping by closing the manual shutoff valve.
- Leak test all gas line joints and the gas control valve prior to and after starting the fireplace.

### Fuel

- This fireplace is designed either for natural gas or for propane (but not for both). Check the sticker on the top of the gas control valve to make sure the correct fuel is used (see illustration on page 4).

### Gas Line Connection

- Installation must be performed by a qualified installer, service agency or the gas supplier (In Massachusetts a licensed plumber/gasfitter).

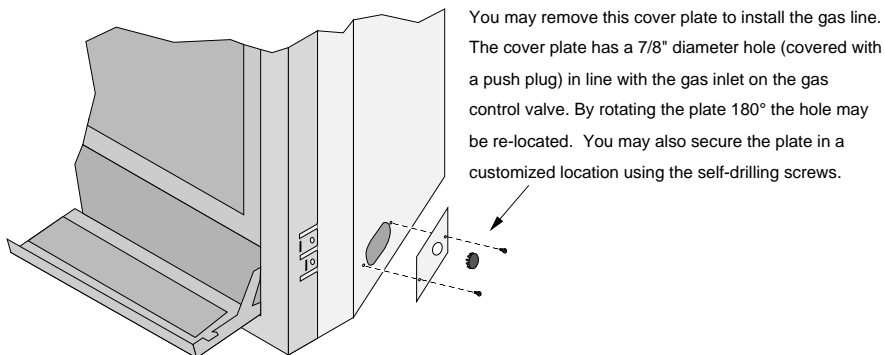
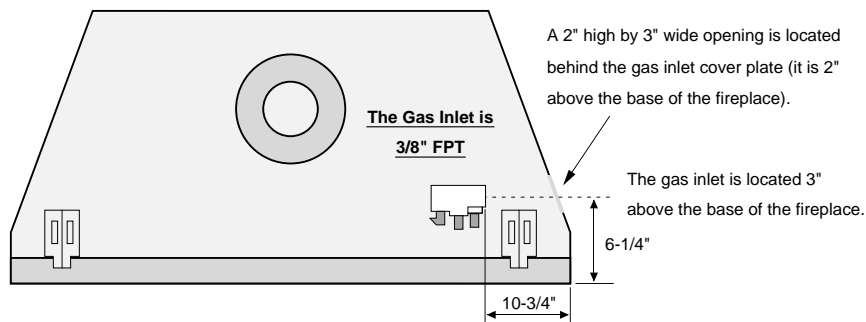
### Gas Inlet Pressure

	Standard Input Pressure
Natural Gas	7" W.C. (1.74 kPA)
Propane	13" W.C. (2.73 kPA)

- If the pressure is not sufficient, make sure the piping used is large enough, the supply regulator is adequately adjusted, and the total gas load for the residence does not exceed the amount supplied.
- The supply regulator (the regulator that attaches directly to the residence inlet or to the propane tank) should supply gas at the suggested input pressure listed above. Contact the local gas supplier if the regulator is at an improper pressure.

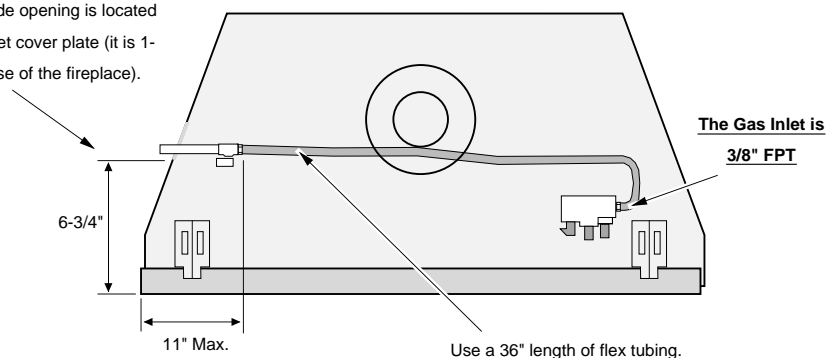
## Gas Line Location

### Right Side Gas Inlet (preferred)



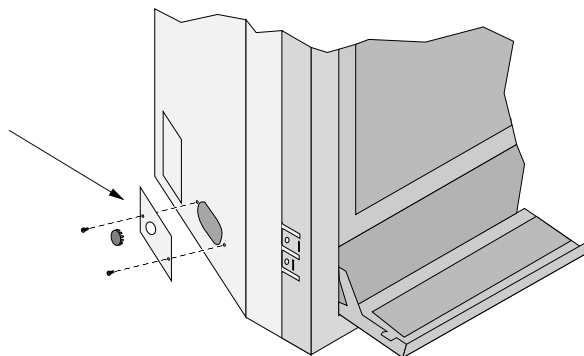
### Left Side Gas Inlet

A 2" high by 3" wide opening is located behind the gas inlet cover plate (it is 1-3/8" above the base of the fireplace).



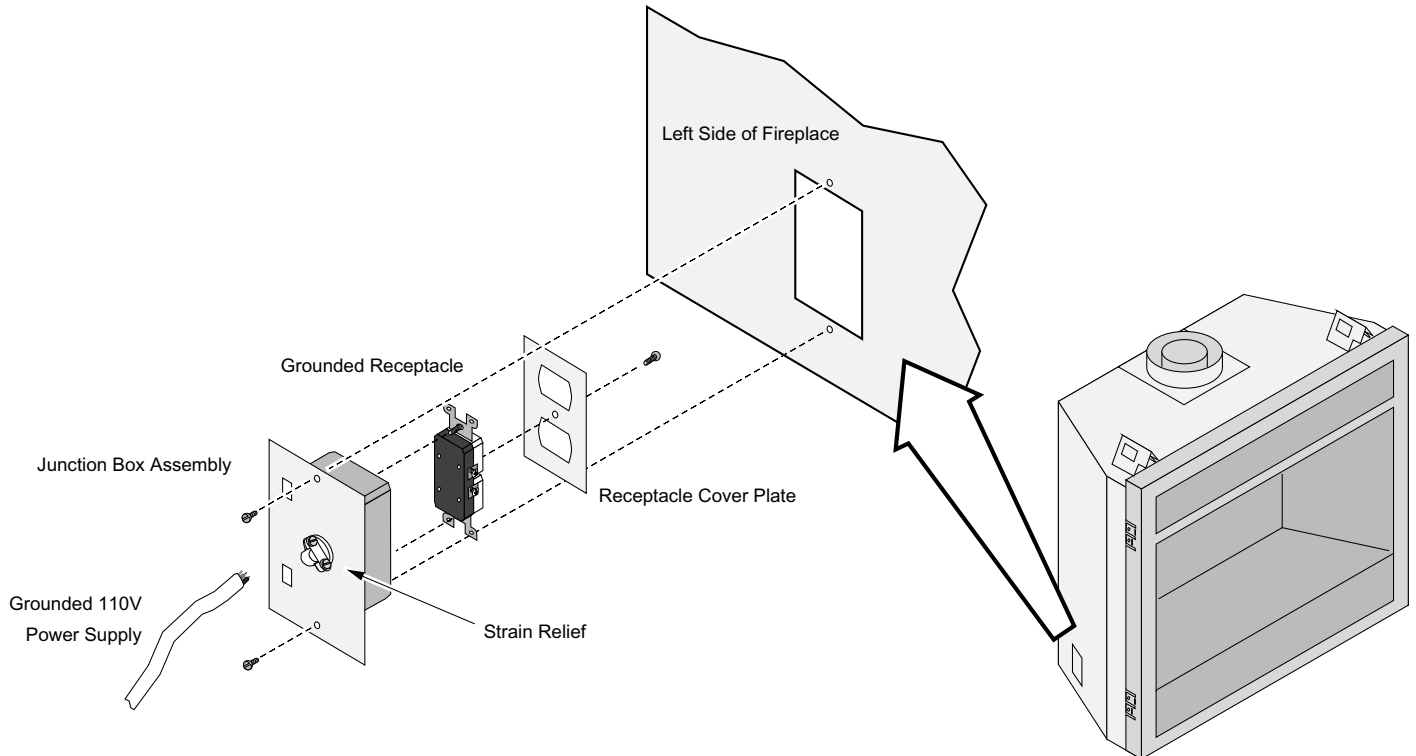
Do not run the gas piping more than 11" into the fireplace - this area must remain open for blower installation and removal.

You may remove this cover plate to install the gas line. The cover plate has a  $\frac{7}{8}$ " diameter hole (covered with a push plug). By rotating the plate 180° the hole may be re-located. You may also secure the plate in a customized location using the self-drilling screws.



***Electrical Connection (required)***

- The electrical line to the grounded receptacle inside the fireplace must be installed by a qualified installer and must meet all local codes.
- Make sure the household breaker is shut off prior to working on any electrical lines.
- The fireplace must be properly grounded in accordance with local codes (or ANSI/NFPA 70-1987)
- The electrical line must be a min. 14 gauge, and supply 120 Volts at 60 Hz (2 Amps)

**Electrical Line Location**

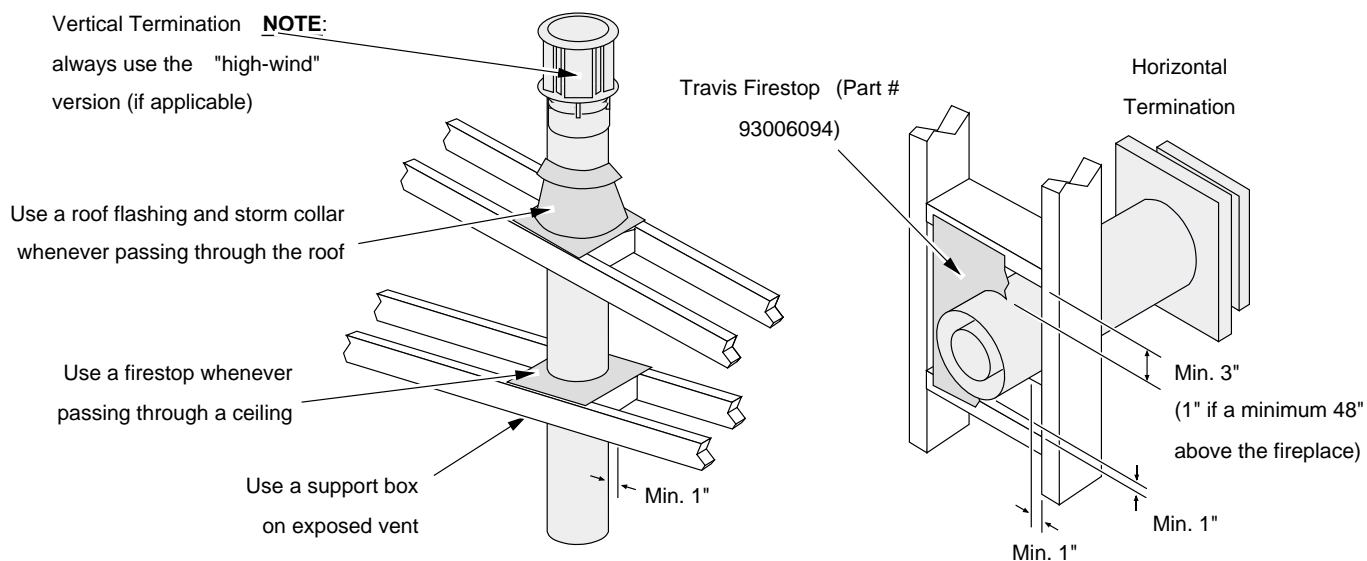
## Vent Requirements

- The gas appliance and vent system must be vented directly to the outside of the building, and never be attached to a chimney serving a separate solid fuel or gas-burning appliance. Each direct vent gas appliance must use its own separate vent system.
- In addition to the requirements listed here, follow the requirements provided with the vent.
- Always use the high-wind termination (if applicable).

## Vent Clearances

- The vent must maintain the required clearance to combustibles to prevent a fire. Do not fill air spaces with insulation.

	Before 48" Rise	After 48" Rise
Sides	1"	1"
Above	3"	1"
Below Horizontal or 45° Section	1"	1"

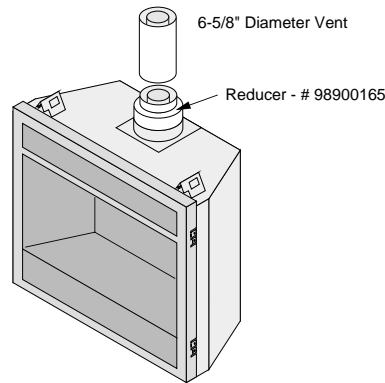


## Altitude Considerations

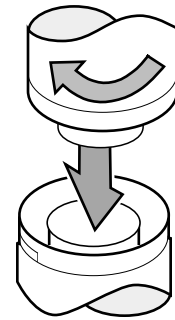
- This heater has been tested at altitudes ranging from sea level to 6,000 feet. In this testing we have found that the heater, with its standard orifice, burns correctly with just an air shutter adjustment.
- Failure to adjust the air shutter properly may lead to improper combustion which can create a safety hazard. Consult your dealer or installer if you suspect an improperly adjusted air shutter.

**Approved Vent**

- Rear vent configurations use 8" diameter Simpson Dura-Vent Model GS vent.
- Top vent configurations use 8" or 6-5/8" diameter Simpson Dura-Vent Model GS vent. If using 6-5/8" diameter vent, attach the 8" to 6-5/8" reducer (Travis part # 98900165) to the fireplace.

**Vent Installation**

- Slide the vent sections together and turn 1/4 turn until the sections lock in place.
- Screws are not required to secure the vent. However, three screws may be used to secure vent sections together if desired.
- High temperature sealant is recommended at the appliance starter section connection (use high-temperature silicone or Mill-Pac®).
- If disassembly is required, at time of re-assembly check to see if the vent creates a tight fit. If it does not, apply high temperature sealant to the joints of the affected sections.
- Horizontal sections require a 1/4" rise every 12" of travel
- Horizontal sections require non-combustible support every three feet (e.g.: plumbing tape)



## Approved Vent Configurations

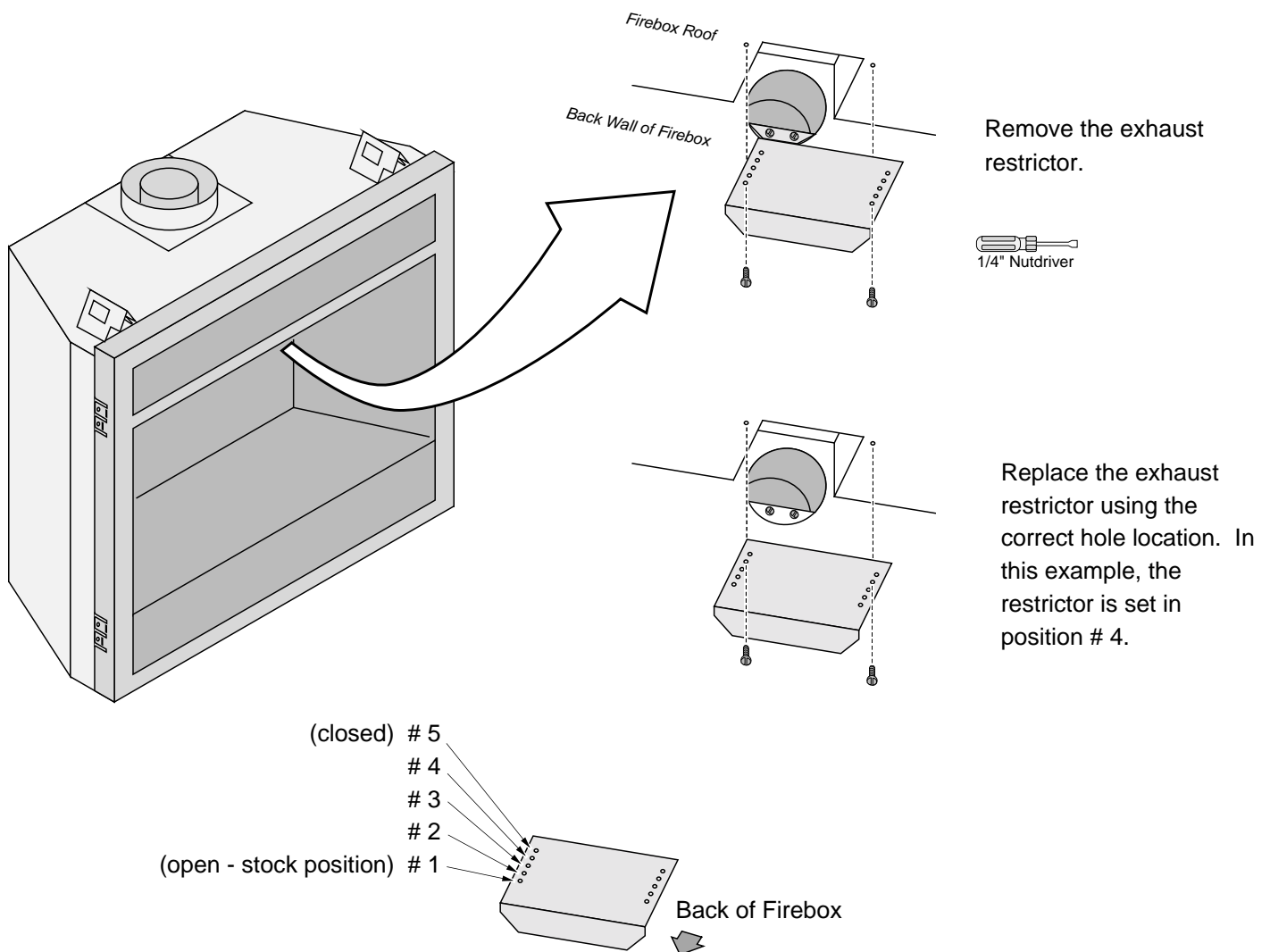
### Restrictor Position

- Intake and exhaust restrictors are built into the appliance to adjust the flow rate of intake air and exhaust gases. Depending upon the vent configuration, you may be required to adjust the restrictor positions. The charts for acceptable vent configurations detail the correct vent restrictor positions.

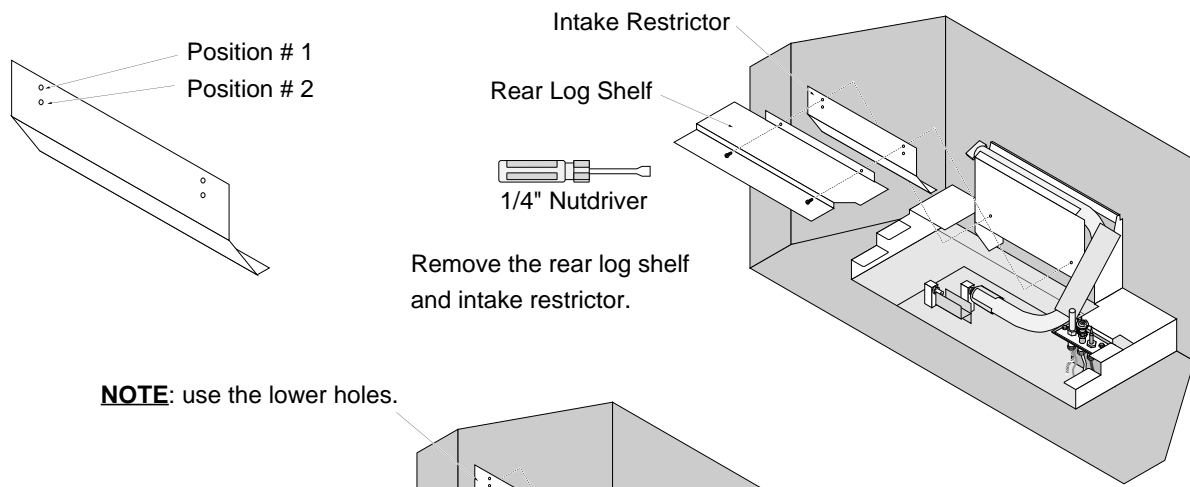
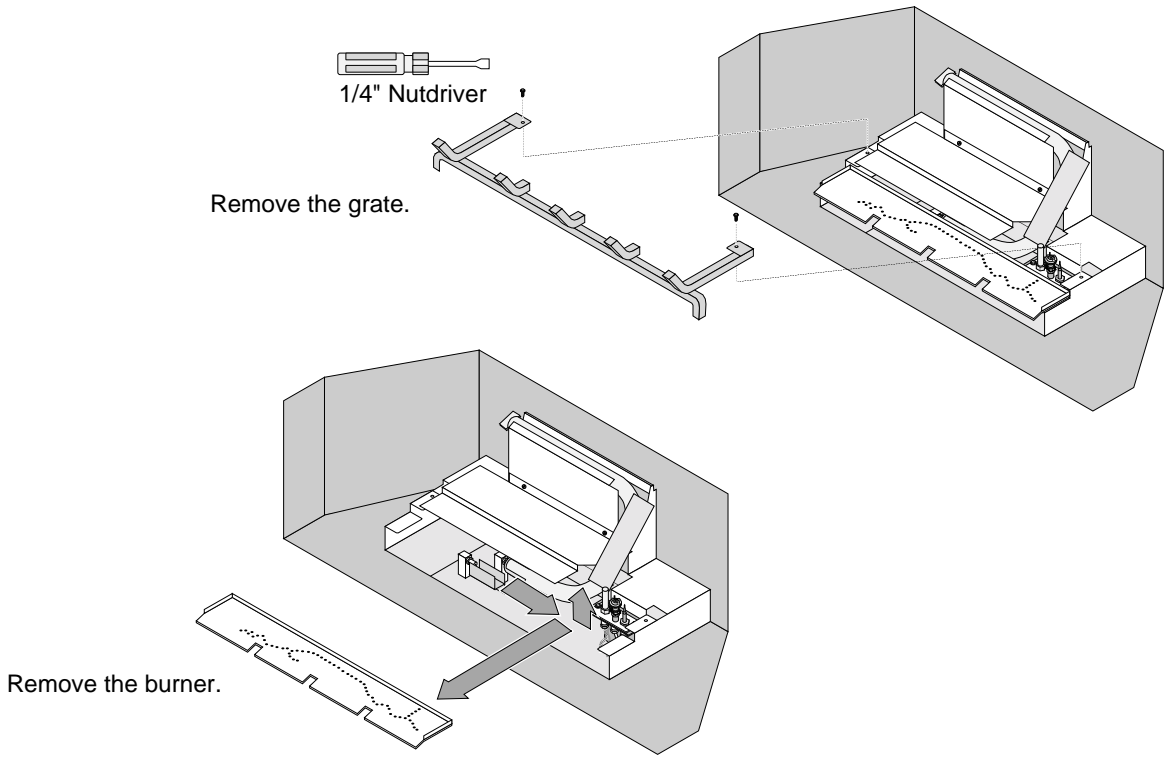
### Exhaust Restrictor Adjustment



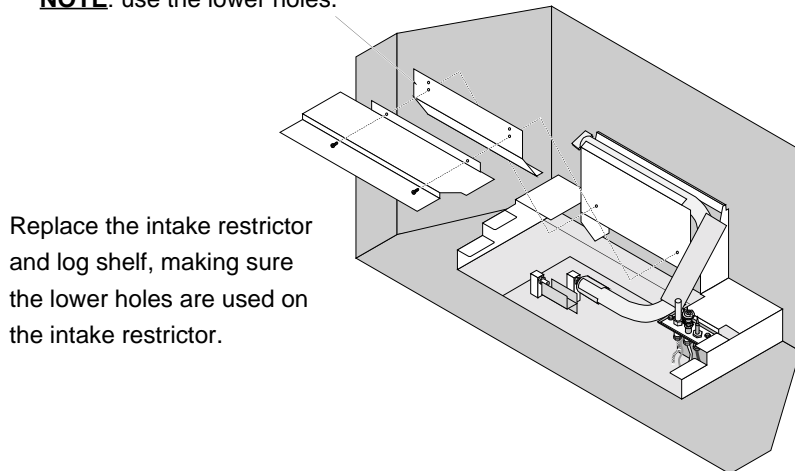
If the diffuser is required to be in position # 2, you may wish to adjust the diffuser while the exhaust restrictor is removed.



Intake Restrictor Adjustment



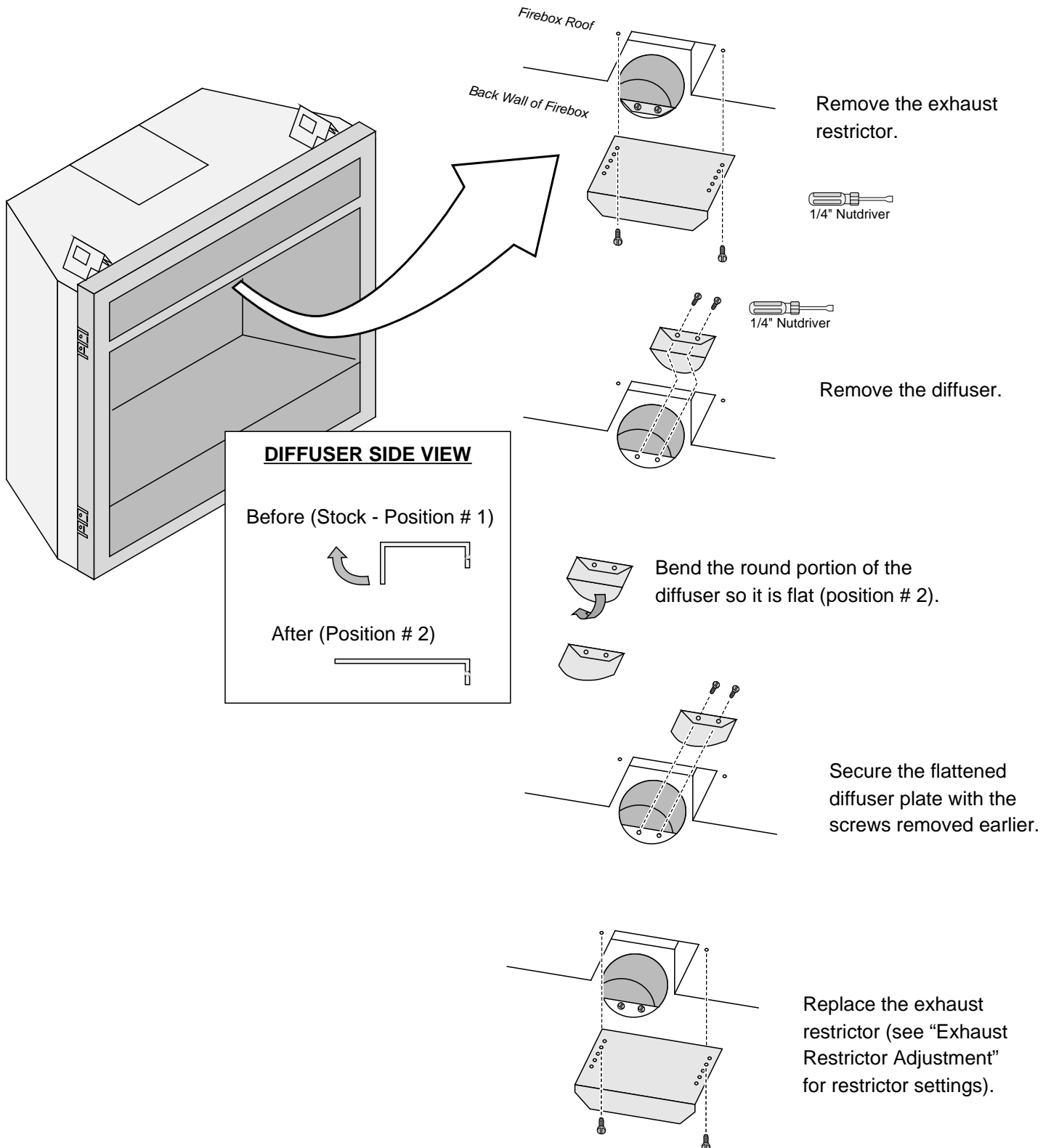
**NOTE:** use the lower holes.





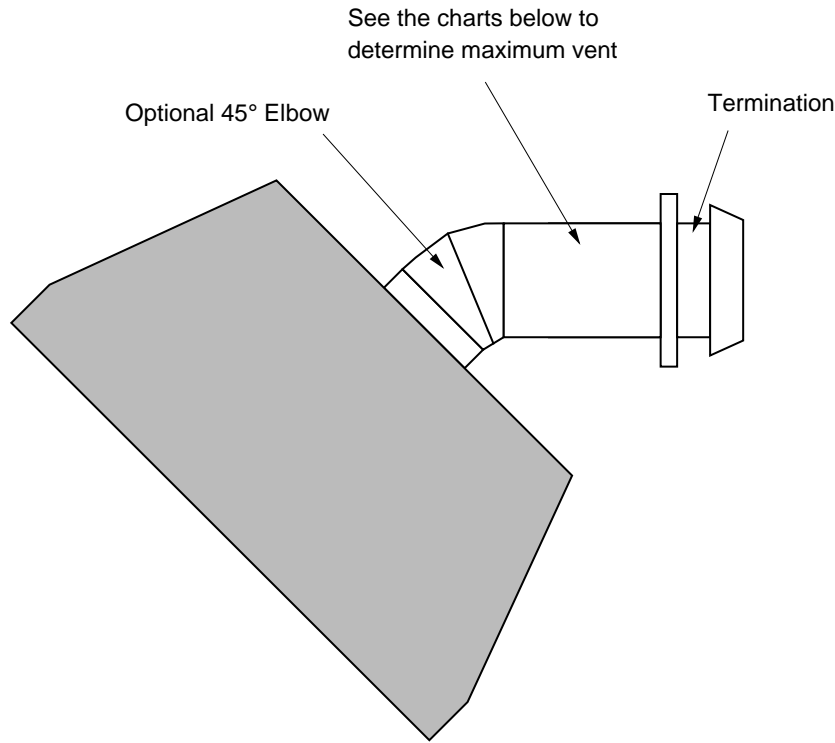
## Diffuser Plate Adjustment

Certain vent configurations require the diffuser plate to be adjusted (refer to the approved vent configuration charts for details). Position # 1 is stock (bent). Position # 2 is flattened. See the directions below to change the diffuser to position #2.

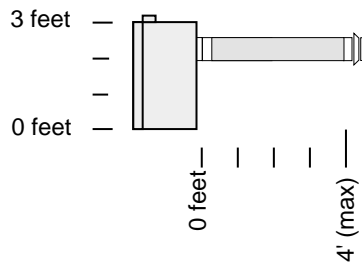


***Rear Vent Configuration with Horizontal Termination (no vertical rise)***

- The termination must fall within the shaded area shown in the chart. Use the indicated restrictor and diffuser positions.



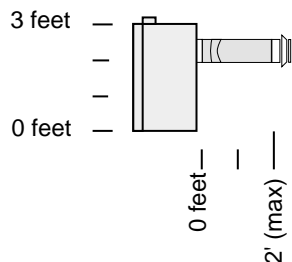
**Vent with No 45° Elbow**



- Exhaust Restrictor # 1 (stock)
- Intake Restrictor # 1 (stock)
- Diffuser Position # 1 (stock)

- Min. 4" Horizontal Section
- Max. 48" Horizontal Section(s)

**Vent with 1 45° Elbow**

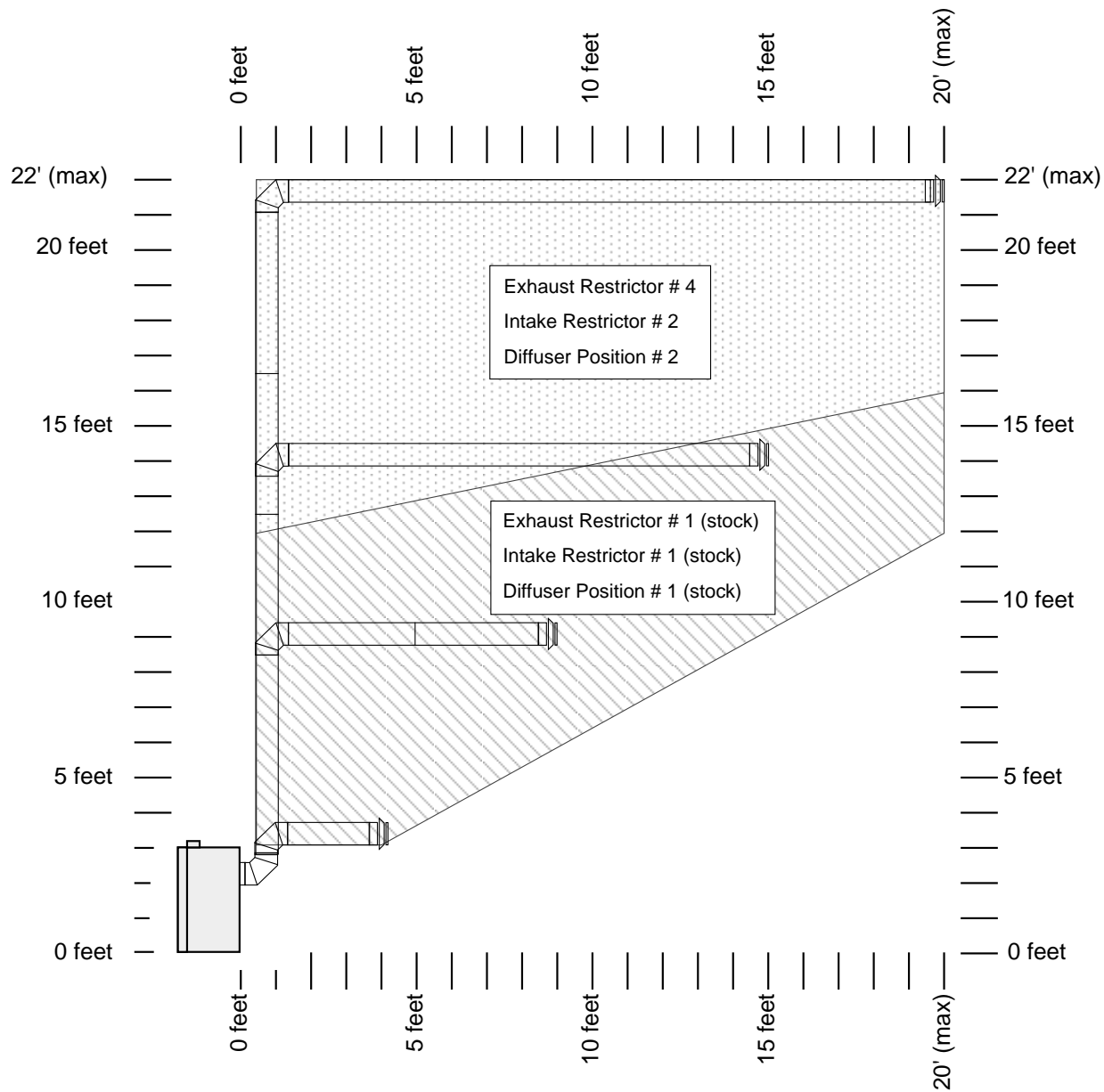


- Exhaust Restrictor # 1 (stock)
- Intake Restrictor # 1 (stock)
- Diffuser Position # 1 (stock)

- Min. 4" Horizontal Section
- Max. 24" Horizontal Section(s)

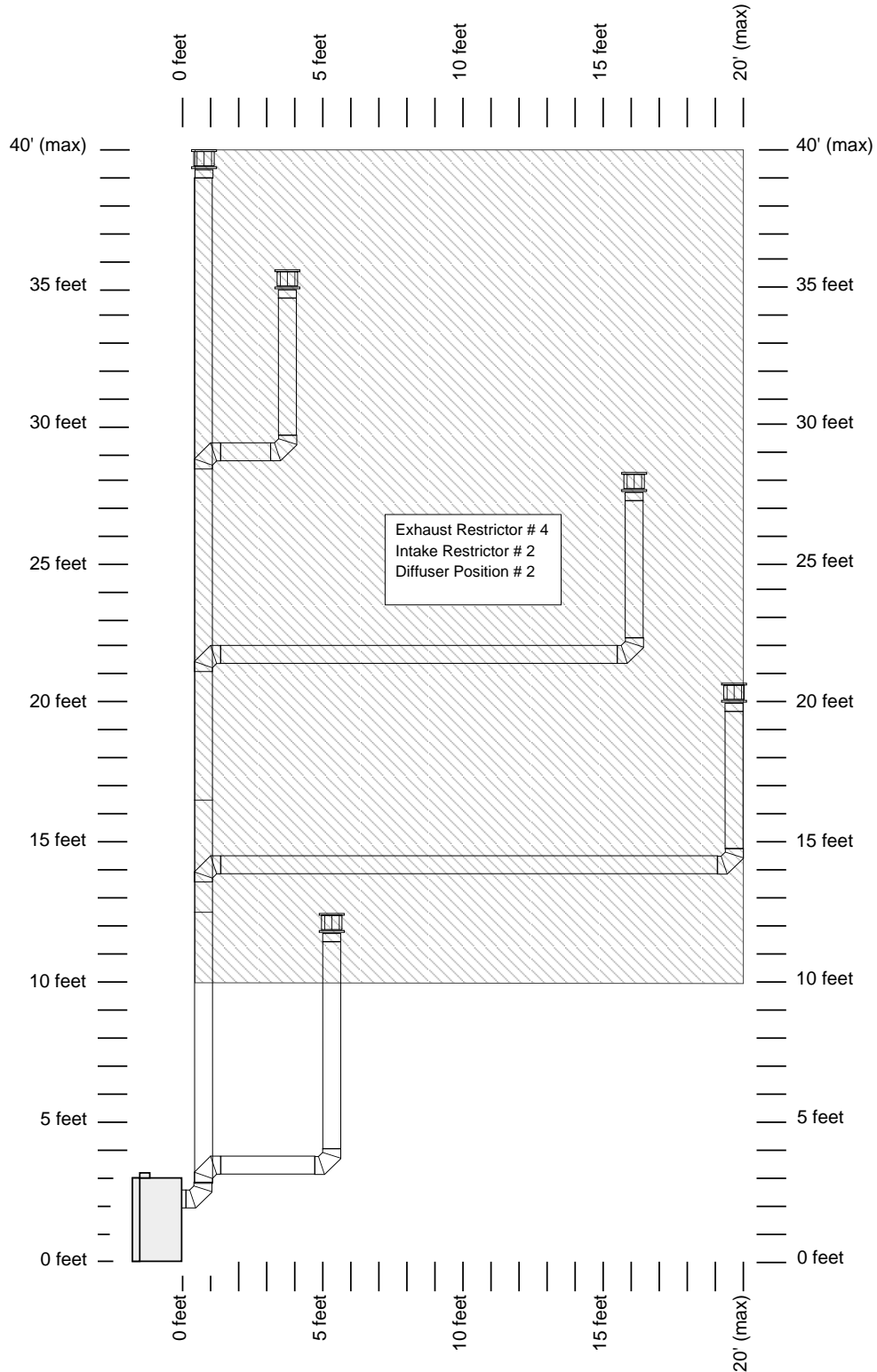
## Rear Vent Configuration with Horizontal Termination (with vertical rise)

- The termination must fall within the shaded area shown in the chart. Use the indicated restrictor and diffuser positions.
- Up to four elbows (45° or 90°) may be used.



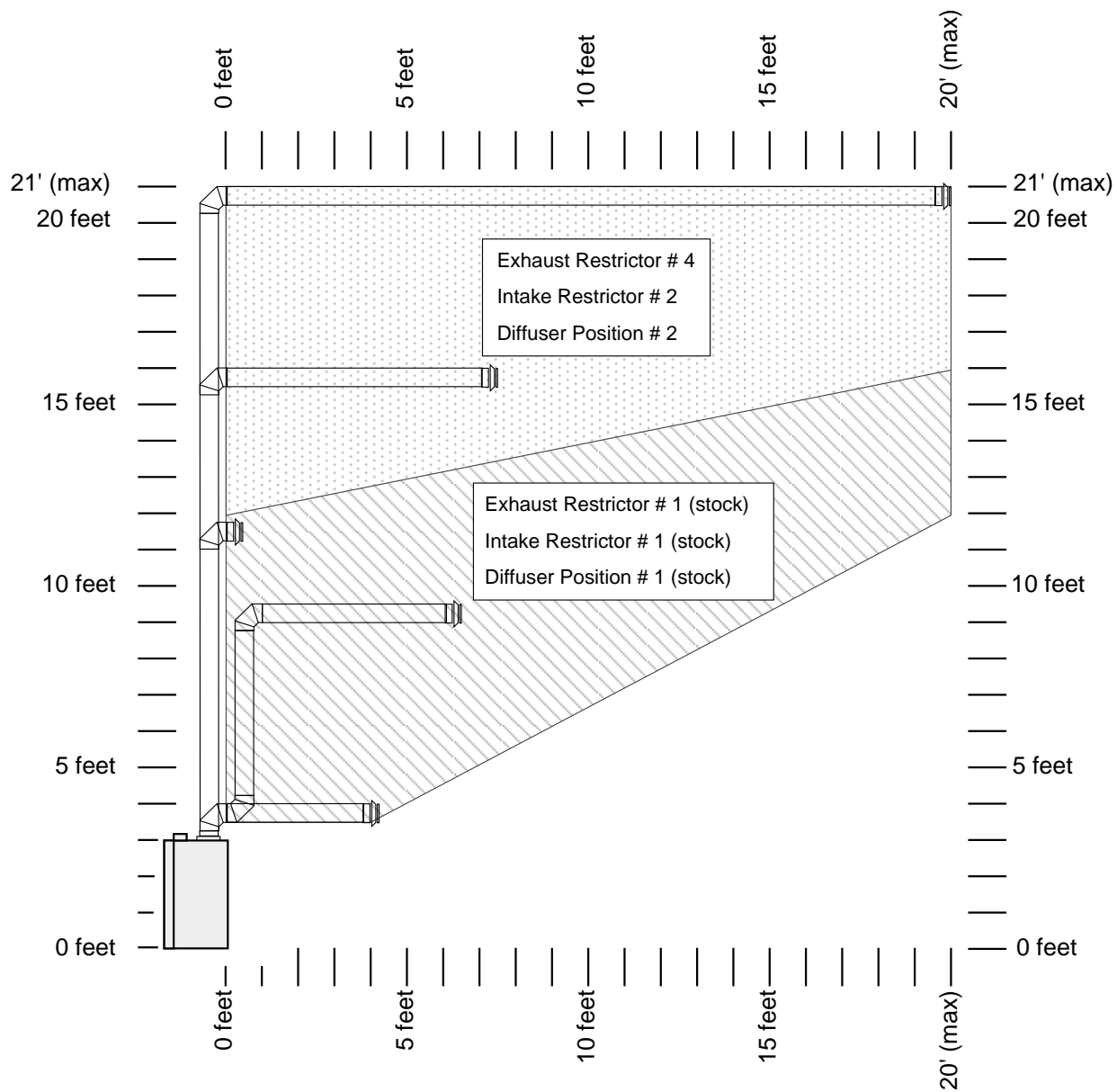
Rear Vent Configuration with Vertical Termination

- The termination must fall within the shaded area shown in the chart. Use the indicated restrictor and diffuser positions.
- Up to four elbows (45° or 90°) may be used.



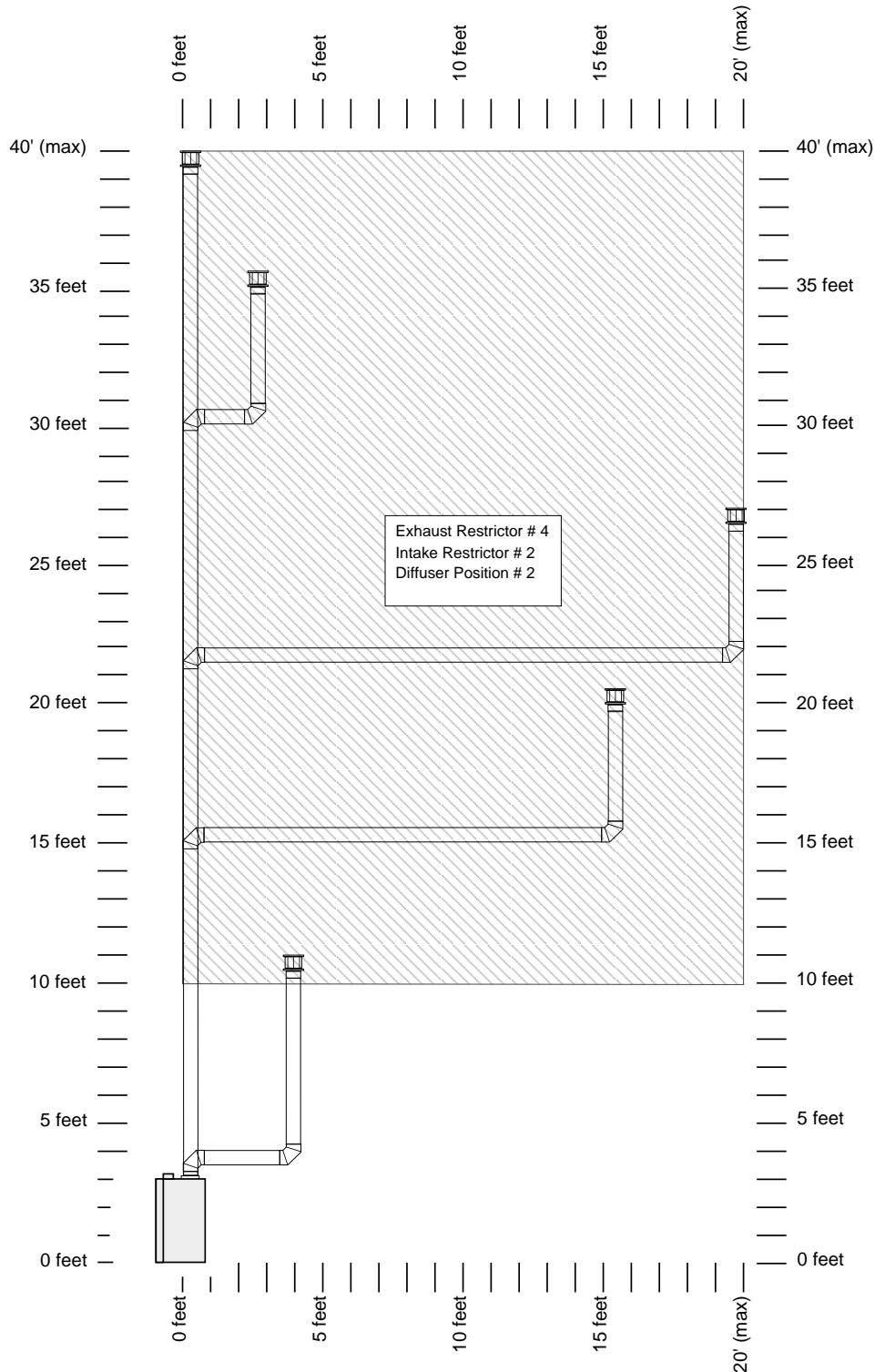
## Top Vent Configuration with Horizontal Termination

- The termination must fall within the shaded area shown in the chart. Use the indicated restrictor and diffuser positions.
- Up to four elbows (45° or 90°) may be used.
- May use 8" or 6-5/8" diameter vent (see page for 22 details).



**Top Vent Configuration with Vertical Termination**

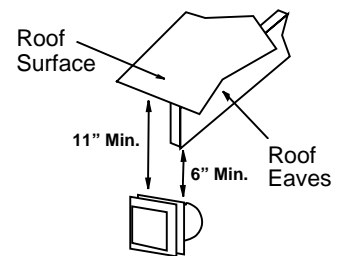
- The termination must fall within the shaded area shown in the chart. Use the indicated restrictor and diffuser positions.
- Up to four elbows (45° or 90°) may be used.
- May use 8" or 6-5/8" diameter vent (see page for 22 details).



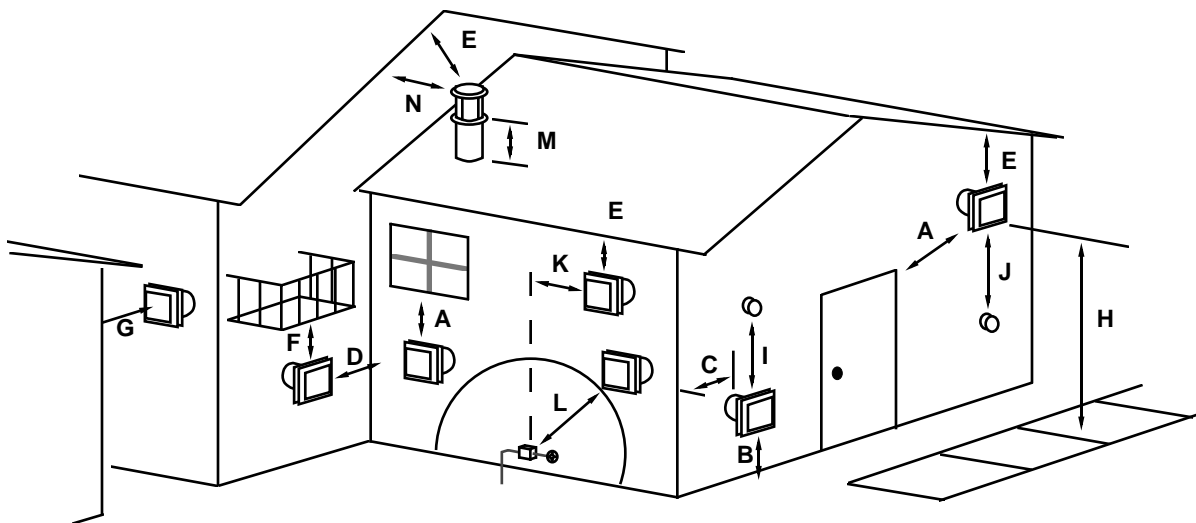
## Termination Requirements

**NOTE:** Measure all clearances from the nearest edge of the exhaust hood.

- A Minimum 9" clearance from any door or window
  - B Minimum 12" above any grade, veranda, porch, deck or balcony
  - C Minimum 3-3/8" from outside corner walls
  - D Minimum 0" from inside corner walls
  - E Minimum 11" clearance below unventilated soffits or roof surfaces  
Minimum 18" clearance below ventilated soffits  
Minimum 6" clearance below roof eaves
- NOTE:** Vinyl surfaces require 24"



- F Minimum 18" clearance below a veranda, porch, deck or balcony (must have two open sides)
- G Minimum 48" clearance from any adjacent building
- H Minimum 84" clearance above any grade when adjacent to public walkways or driveways  
NOTE: may not be used over a walkway or driveway shared by an adjacent building
- I Minimum 48" clearance from any mechanical air supply inlet
- J Minimum 36" clearance above and 48" below and to the sides of non-mechanical air supply inlet
- K Minimum 36" from the area above the meter/regulator (vent outlet)
- L Minimum 36" from the meter/regulator (vent outlet)
- M Minimum 24" above the roof line (for vertical terminations)
- N Minimum 24" horizontal clearance to any surface (such as an exterior wall) – for vertical terminations

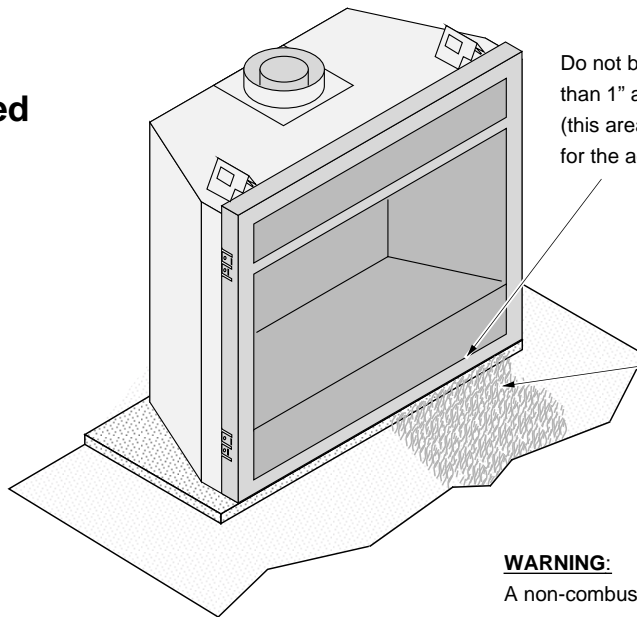


**NOTE:** Measure clearances to the nearest edge of the exhaust hood.

- Use the vinyl siding standoff (#950) when installing on an exterior with vinyl siding.
- Vent termination must not be located where it will become plugged by snow or other material.
- Venting termination shall not be recessed into a wall or siding.
- These clearances meet UMC-1994 code standards.

### Hearth Requirements

#### Floor Mounted Fireplaces



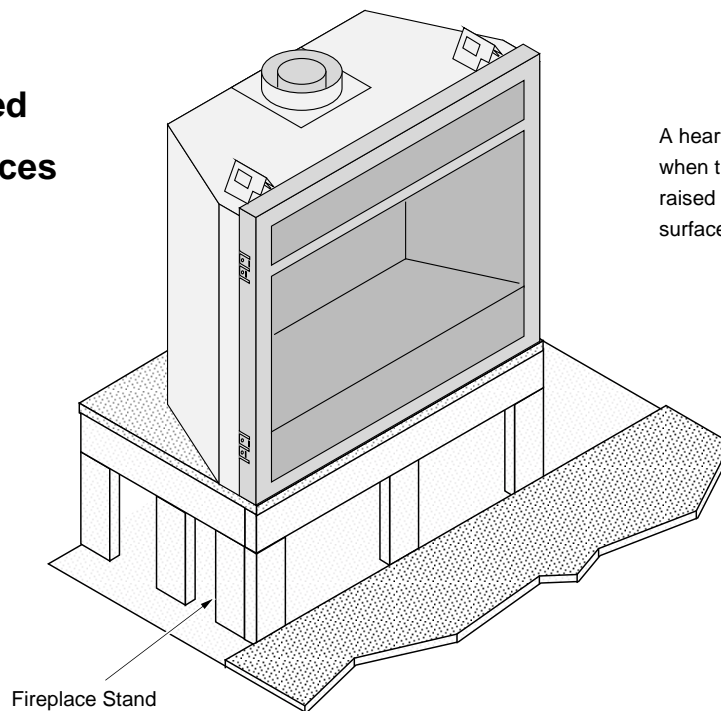
Do not build a hearth more than 1" above the baseplate (this area must remain clear for the access door).

If installed near carpet or other combustible flooring, the fireplace must be raised so the base of the unit is above the carpet surface or flooring material.

**WARNING:**

A non-combustible hearth is not required. However, if the heater is installed next to the floor, we recommend a hearth to protect the flooring surface from discoloration or other negative impact from the heater.

#### Raised Fireplaces



A hearth is not required when the fireplace is raised above the flooring surface.

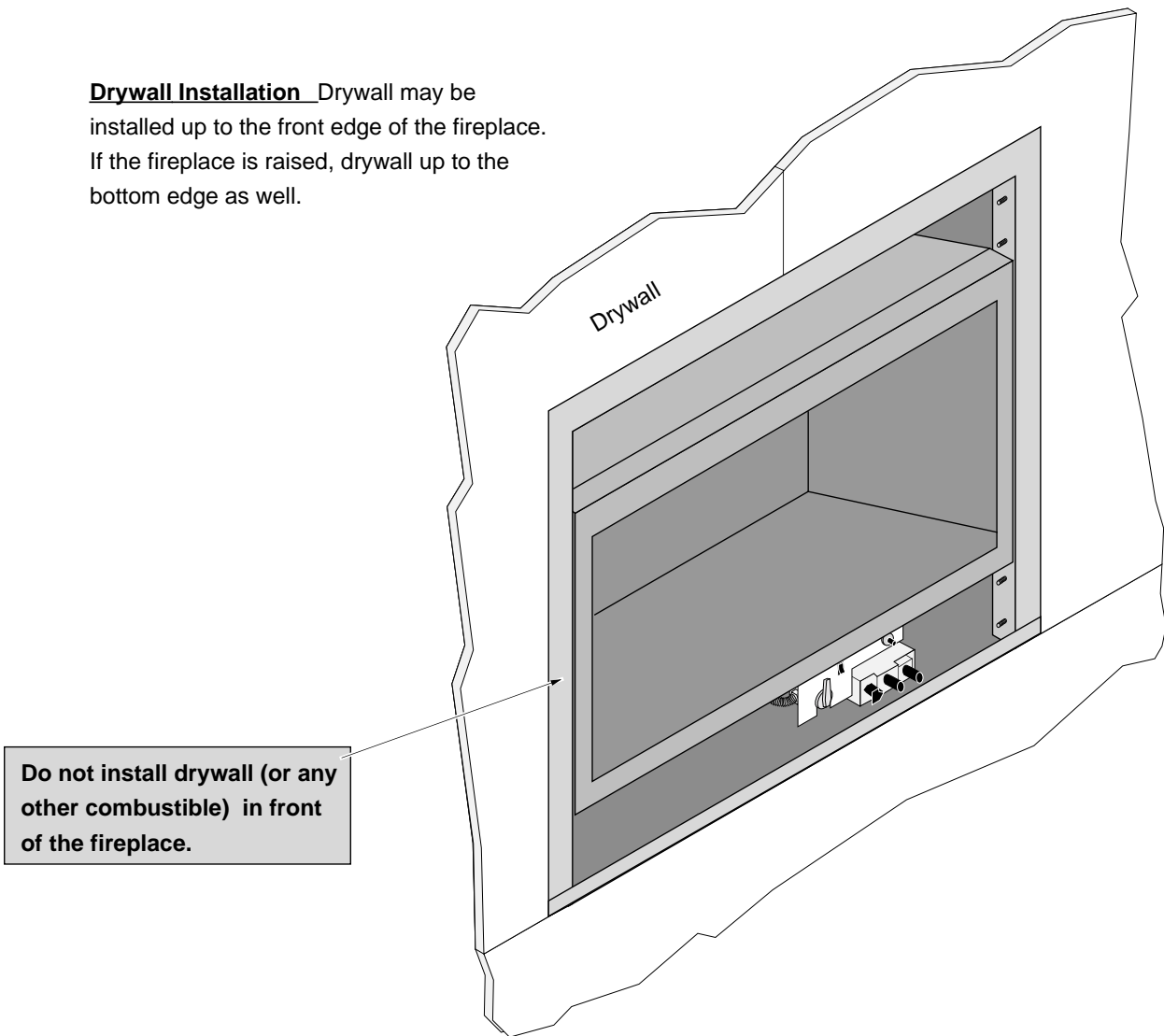


## Facing Requirements

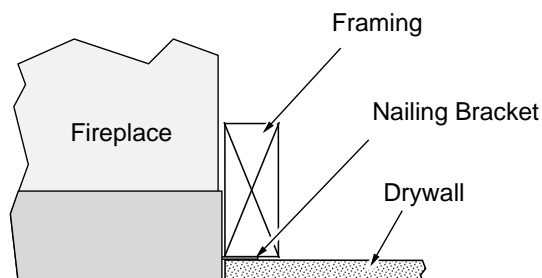
- This appliance is designed to allow for drywall (or other combustible facing) to contact the sides and top of the front of the fireplace.
- Tile or other non-combustible facing may be placed on the front of the fireplace (see "Facing Overview" on page 34 for further details).

## Drywall Installation

**Drywall Installation** Drywall may be installed up to the front edge of the fireplace. If the fireplace is raised, drywall up to the bottom edge as well.



### TOP VIEW



## Facing Overview



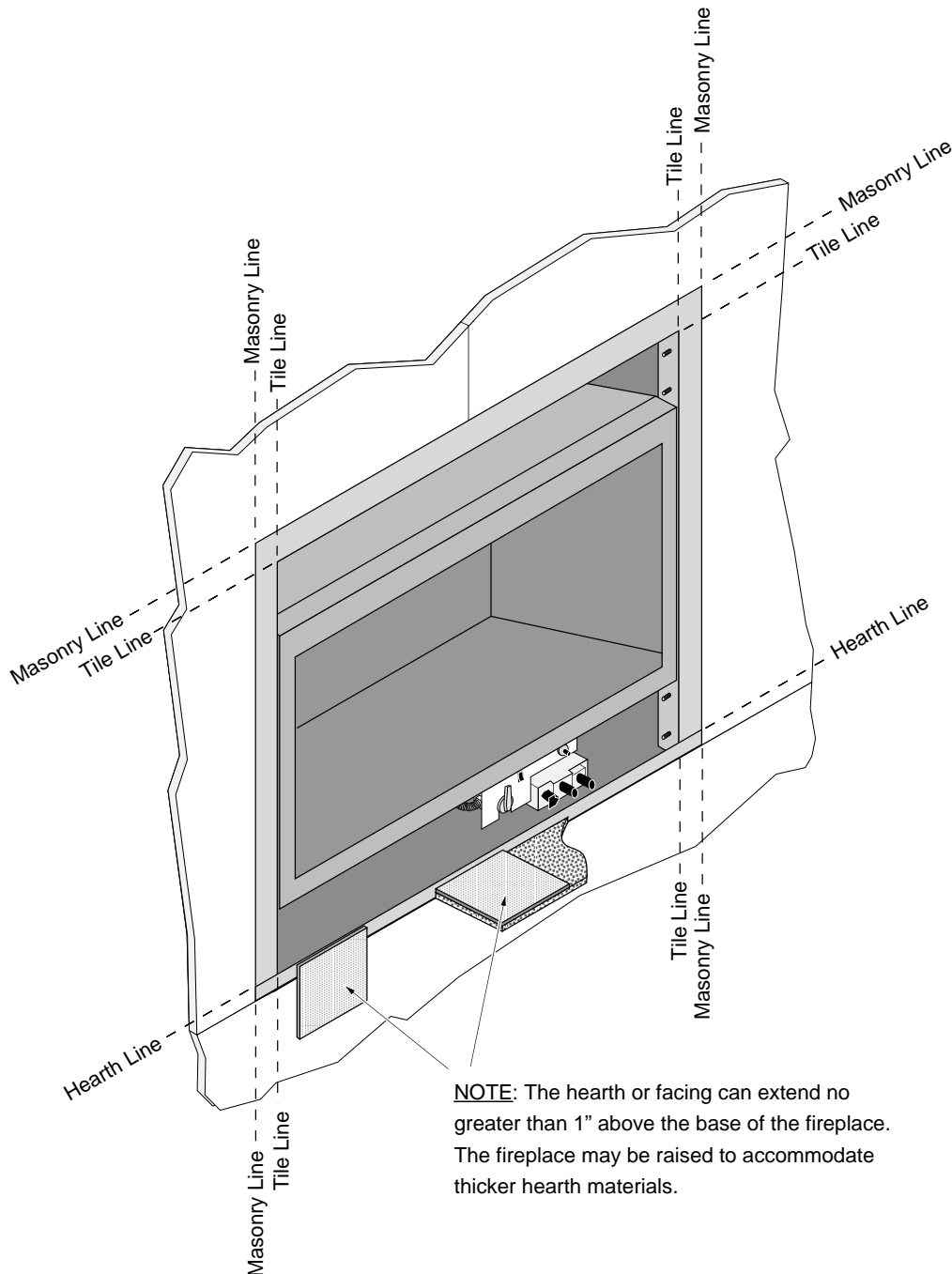
Upgrade faces are available for this fireplace and may influence facing installation. Consult with your Travis Dealer if you are using an upgrade face.

Optional non-combustible facing may be installed on the fireplace. Use the guidelines below to determine the location (also see the following pages for detailed diagrams).

**Tile Line** Any non-combustible facing under 1" thick (see "Thin Facing" on page 35).

**Masonry Line** Any non-combustible over 1" thick (see "Thick Facing" on page 37).

**Hearth Line** Non-combustible hearth/facing should be installed up to this location (1" above the base of the fireplace). The fireplace may be raised to accommodate thicker hearth materials.

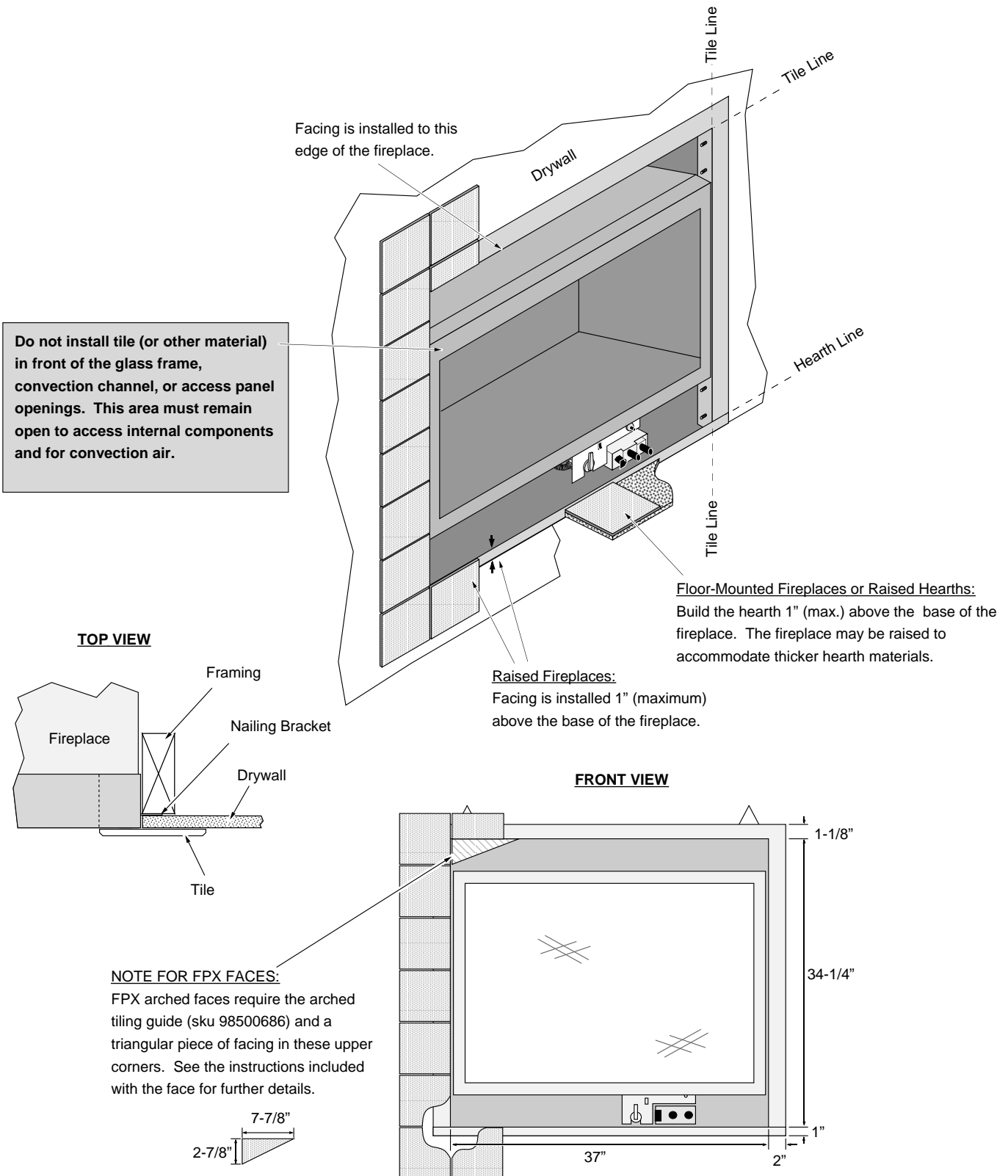


**NOTE:** The hearth or facing can extend no greater than 1" above the base of the fireplace. The fireplace may be raised to accommodate thicker hearth materials.

## Thin Facing Installation (tile, marble, or other non-combustible under 1" thick)

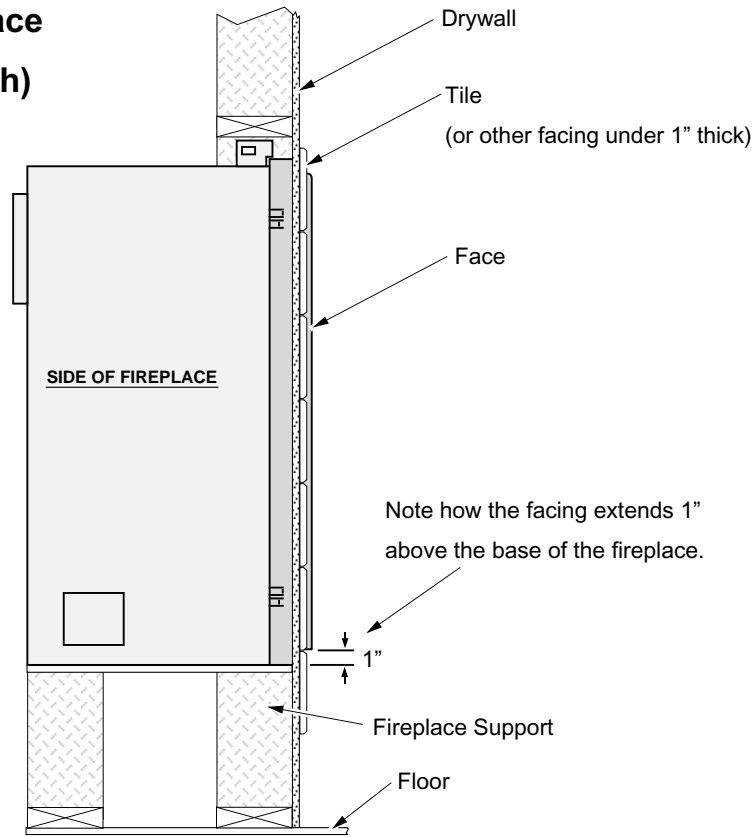


Upgrade faces are available for this fireplace and may influence facing installation. Consult with your Travis Dealer if you are using an upgrade face.

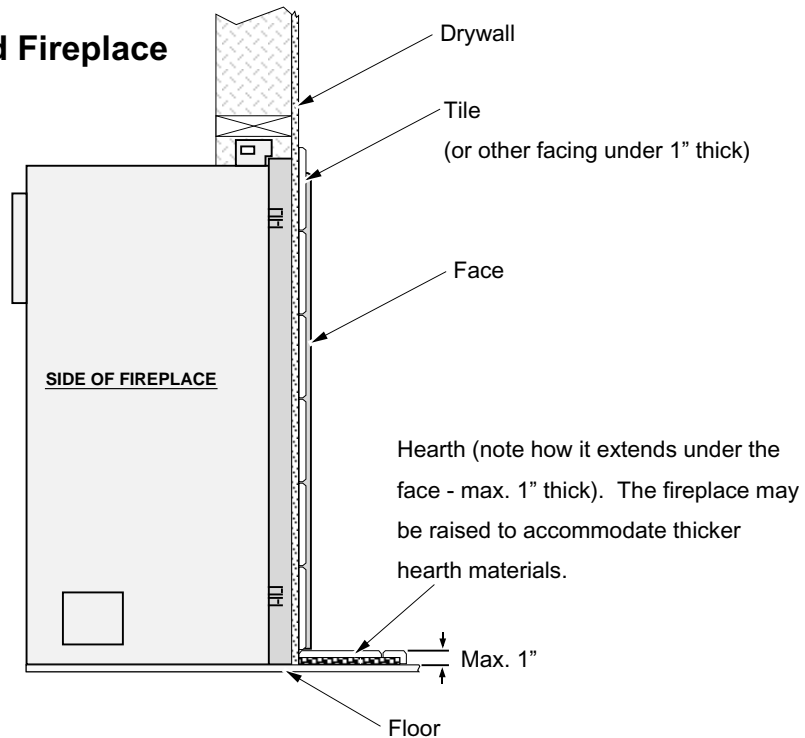


**Thin Facing Installation (tile, marble, under 1" thick) - Side View**

**Raised Fireplace  
(with no Hearth)**



**Floor-Mounted Fireplace  
with Hearth**

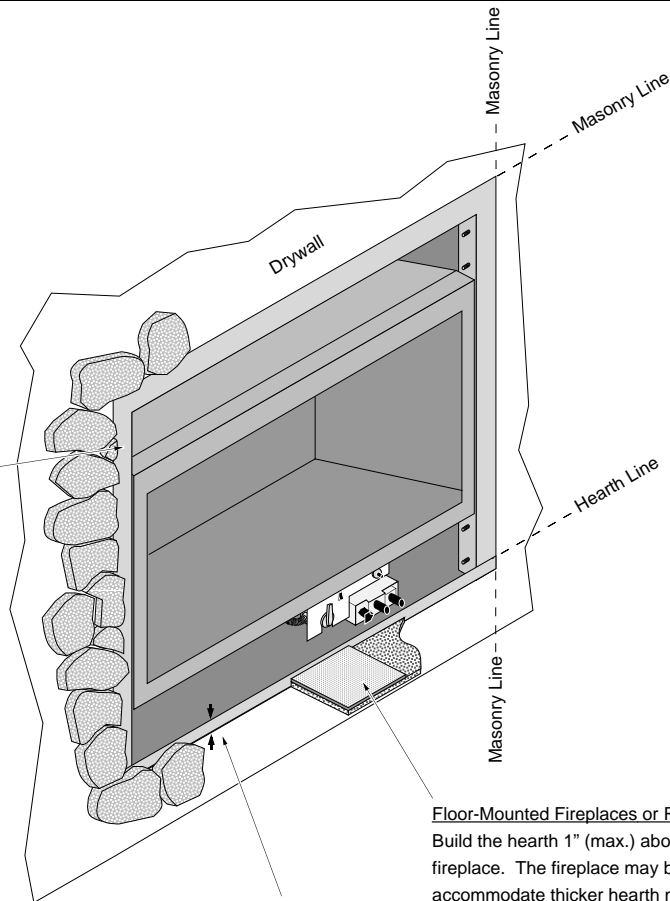


## Thick Facing Installation (stone, brick, or other non-combustible over 1" thick)

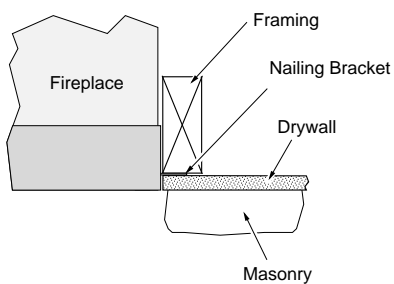


If using a Fireplace Xtordinaire (FPX) arched face, see "Thick Facing with a Fireplace Xtordinaire Arched Faces" on page 38.

Do not install masonry (or other material) in front of the fireplace. This area must remain open to install the face.



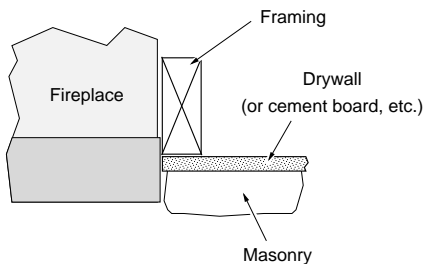
### TOP VIEW - Protruding Masonry



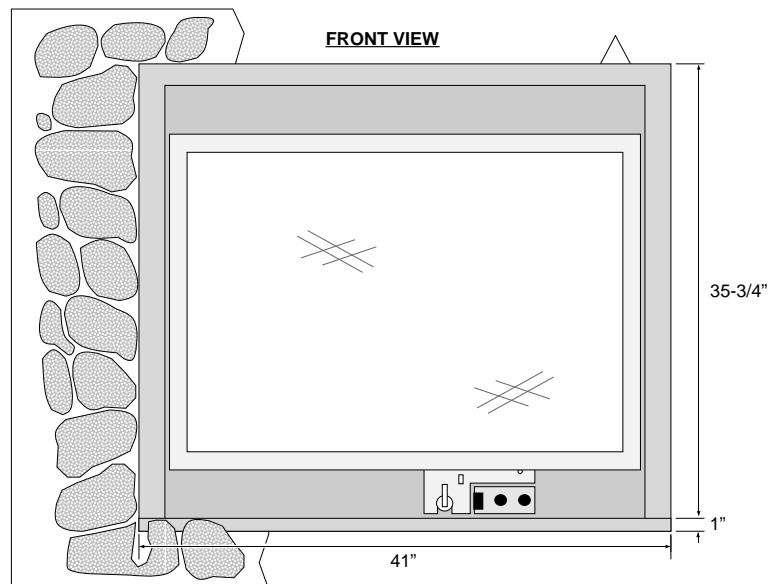
**Floor-Mounted Fireplaces or Raised Hearths:**  
Build the hearth 1" (max.) above the base of the fireplace. The fireplace may be raised to accommodate thicker hearth materials.

**Raised Fireplaces:**  
Masonry is installed 1" (maximum) above the base of the fireplace.

### TOP VIEW - Recessed Masonry



NOTE: The nailing brackets are not used for this type of installation - secure the fireplace to the floor with the brackets along the base of the fireplace.

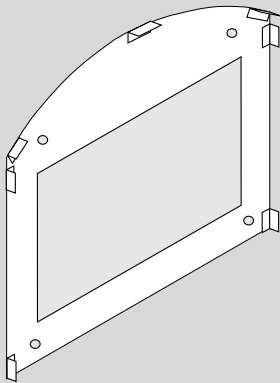


Thick Facing with Fireplace Xtrordinair (FPX) Arched Faces

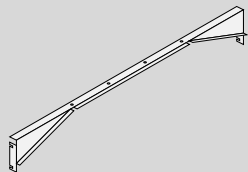


The following illustration shows facing considerations for those fireplaces utilizing FPX arched faces. The facing must be non-combustible and over 1" in depth.

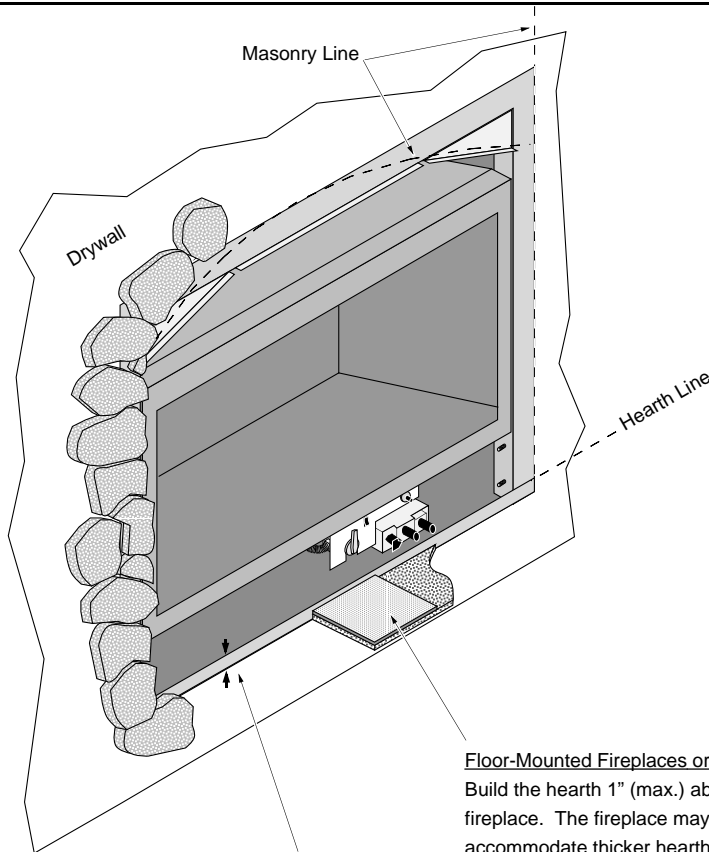
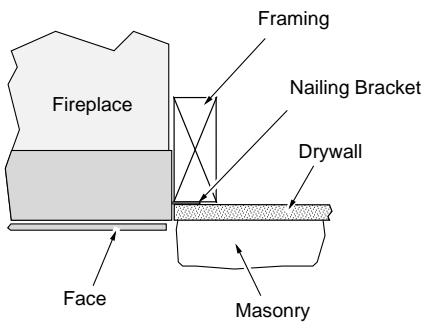
The Fireplace Xtrordinair 864 Masonry Template is recommended for masonry installation (sku 98500688). The template helps locate and support the masonry as it being installed.



Before installing masonry, install the arched tile guide (98500686). This covers the upper corners.



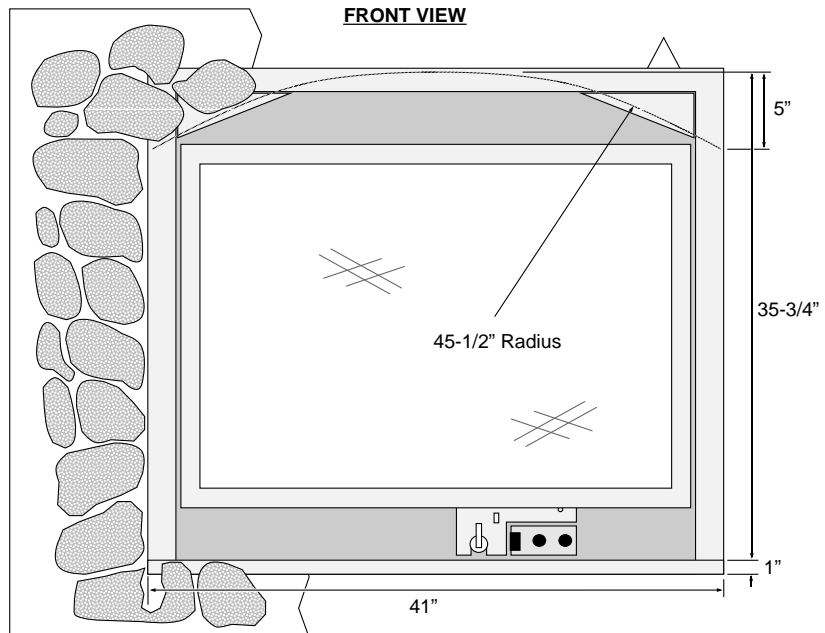
TOP VIEW



**Floor-Mounted Fireplaces or Raised Hearths:**  
Build the hearth 1" (max.) above the base of the fireplace. The fireplace may be raised to accommodate thicker hearth materials.

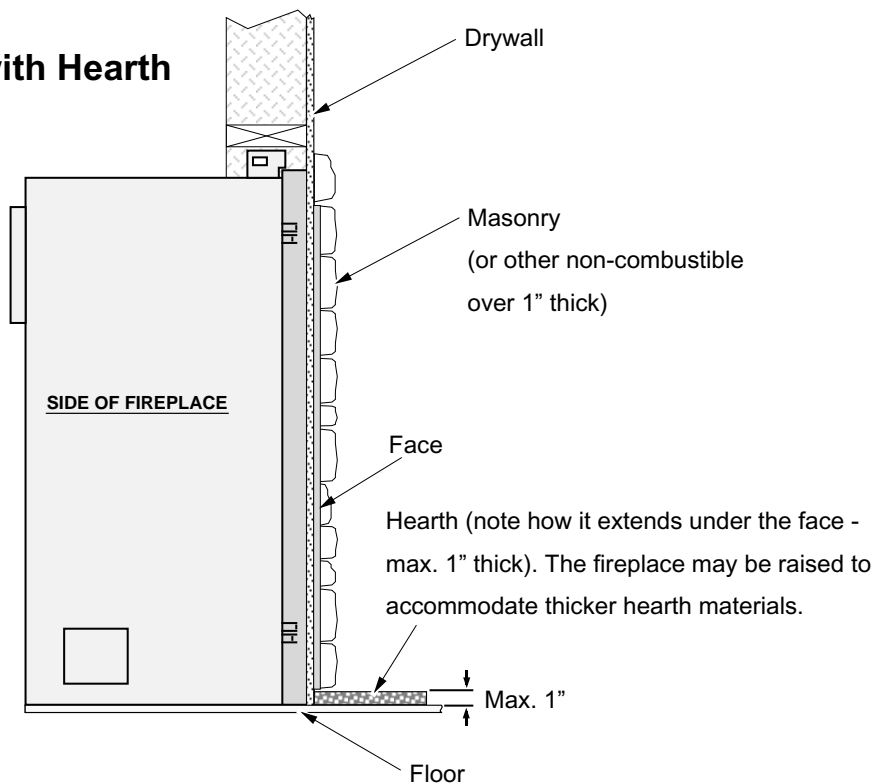
**Raised Fireplaces:**  
Masonry is installed 1" (maximum) above the base of the fireplace.

FRONT VIEW

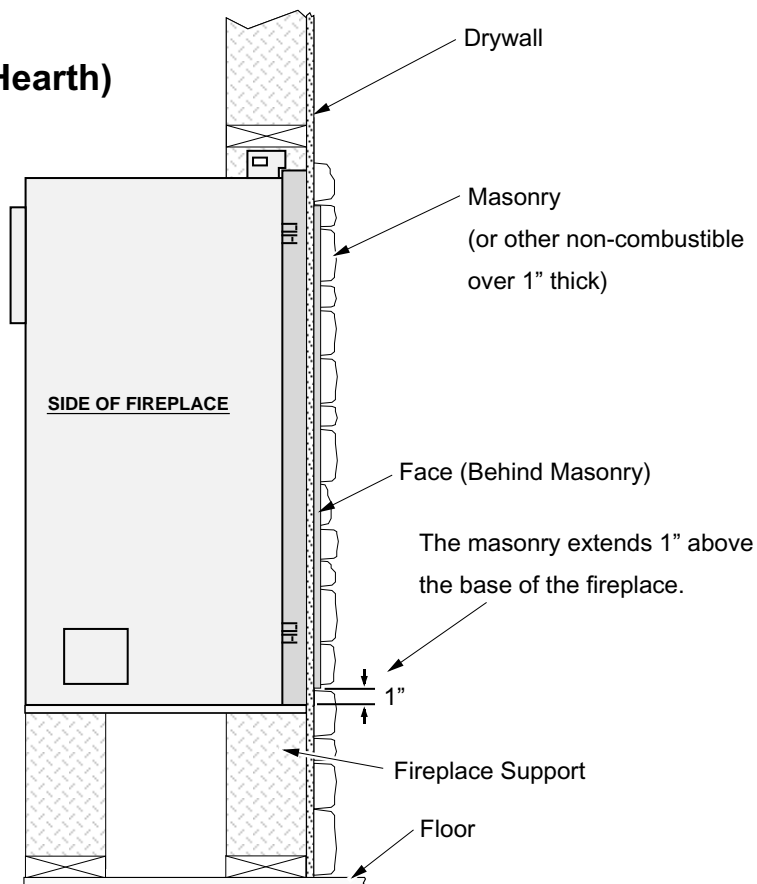


## Thick Facing Installation - Side View

### Floor-Mounted Fireplace with Hearth

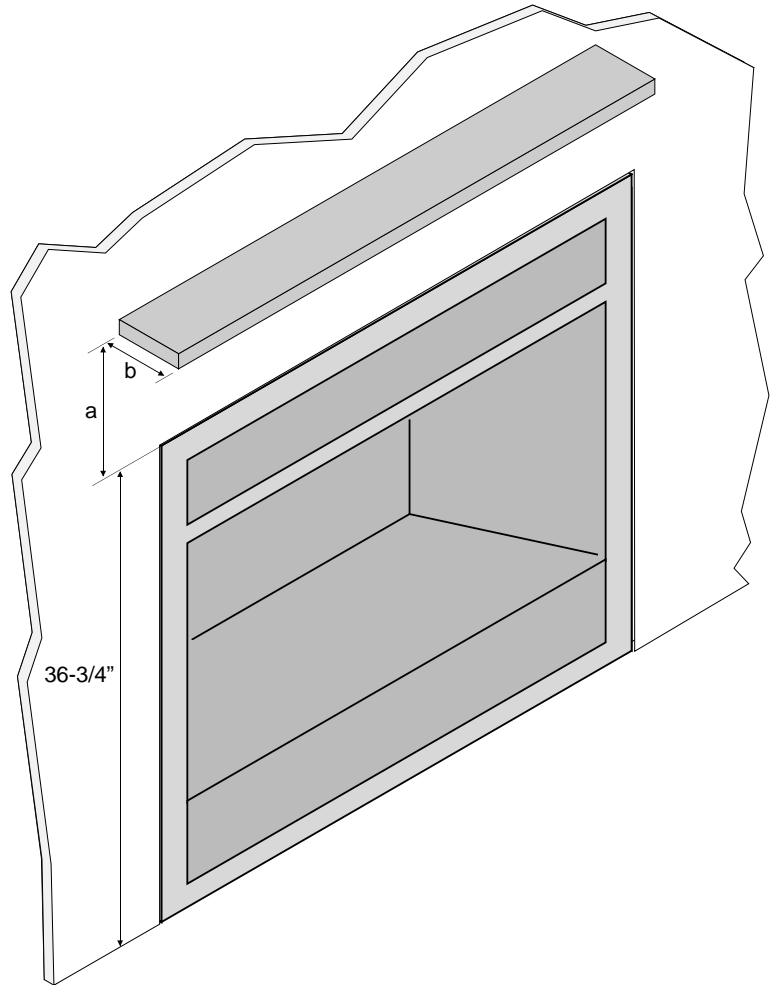
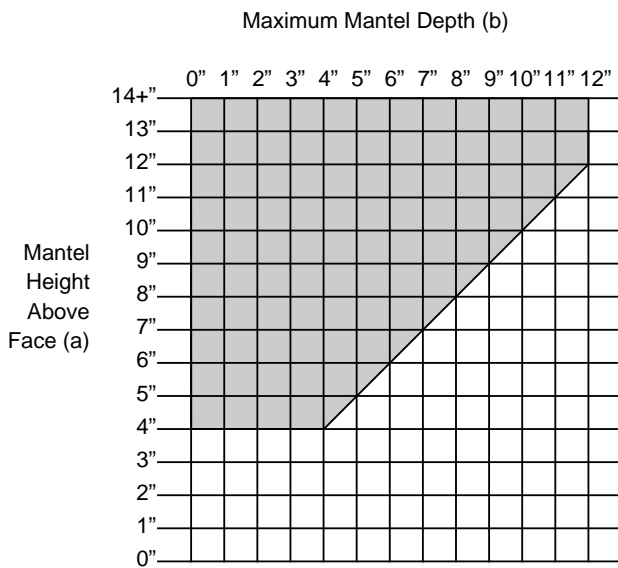


### Raised Fireplace (with no Hearth)



**Mantel Requirements**

- Use the table below to determine the maximum mantel depth allowed. The mantel depth (measured from the face of the fireplace) must fall in the shaded portion of the table.



- Examples:
- If you wish to have a 8" deep mantel, it must be at least 8" above the fireplace face (44-3/4" above the base).
  - If you wish to have a mantel 6" above the fireplace face, it must be no deeper than 6".



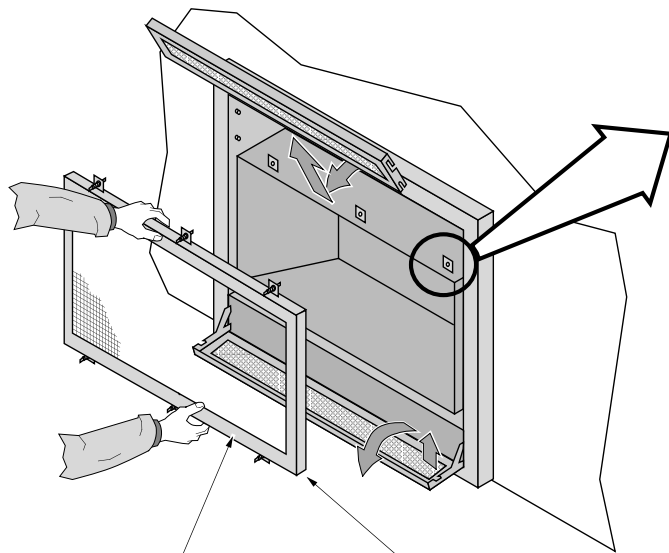
## Glass Frame Removal and Installation

**Warning:** The appliance must be completely cool before removing the glass.

**Warning:** Do not strike or slam the glass.

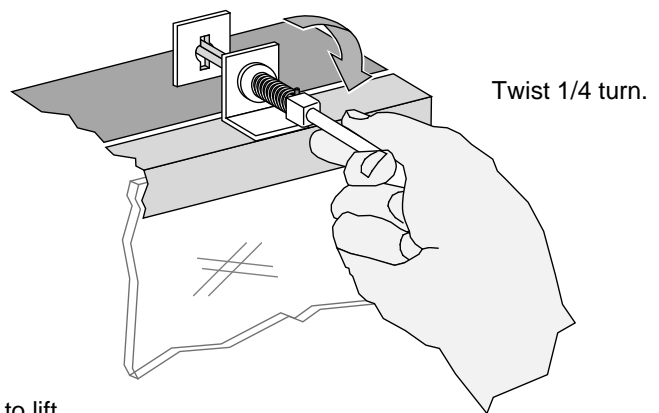
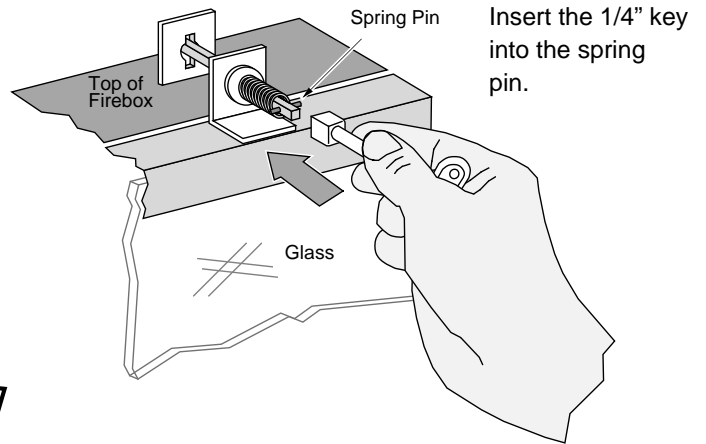
- a** Based upon the face being used, either:  
 (a) swing the access door down and remove the top grill,  
 (b) remove the face (unscrew or lift off - see the instructions included with the face for details).

Open the six latches holding the glass frame in place (start with the bottom three) - follow the directions shown to the right.



- b** Lift the glass frame up and pull it forward to remove.

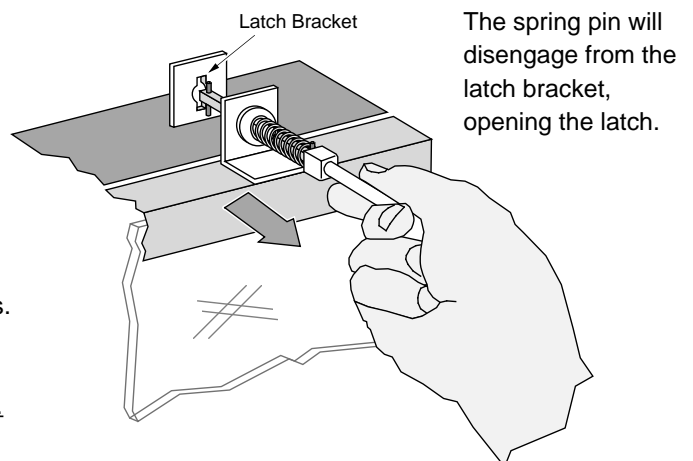
**NOTE:**  
 You may need to lift the glass frame while re-attaching.



**Re-Attaching the Glass Frame:**

- a) Hang the glass frame on the firebox.
- b) While holding in place, attach the upper latches (follow the instructions to the right in reverse).
- c) Lift the glass frame slightly and attach the lower latches.

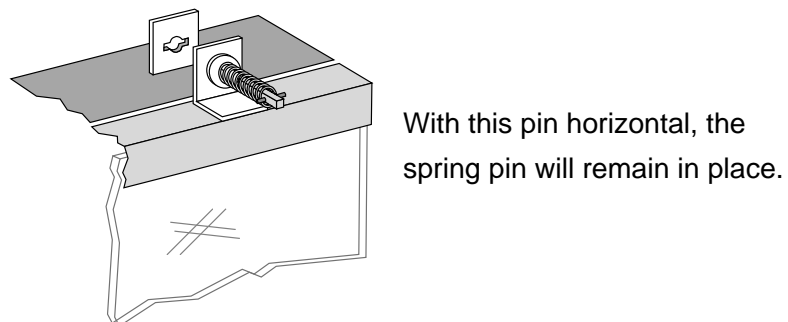
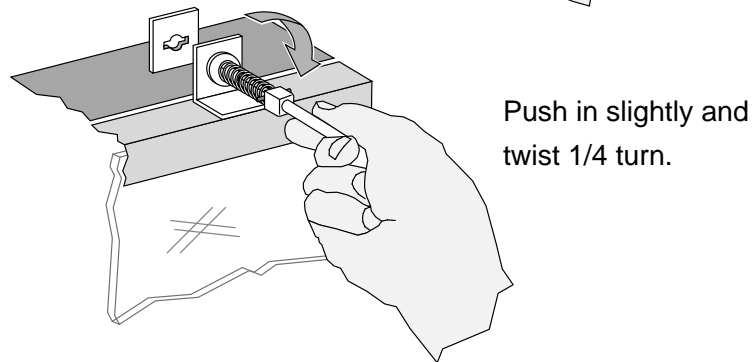
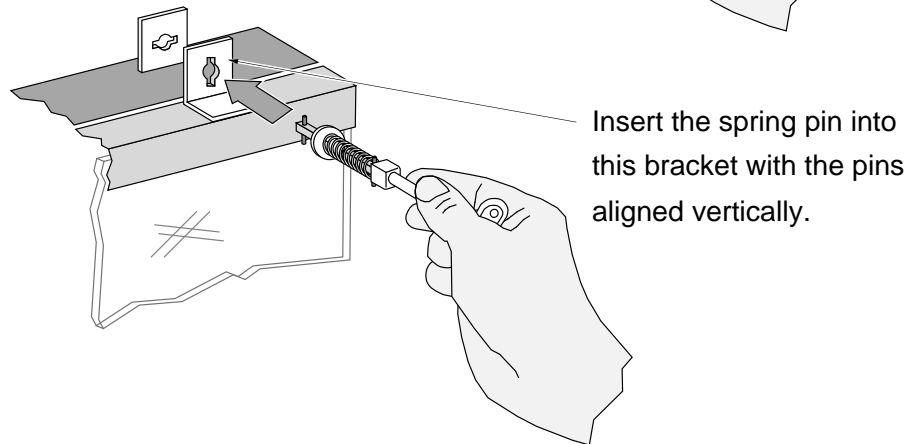
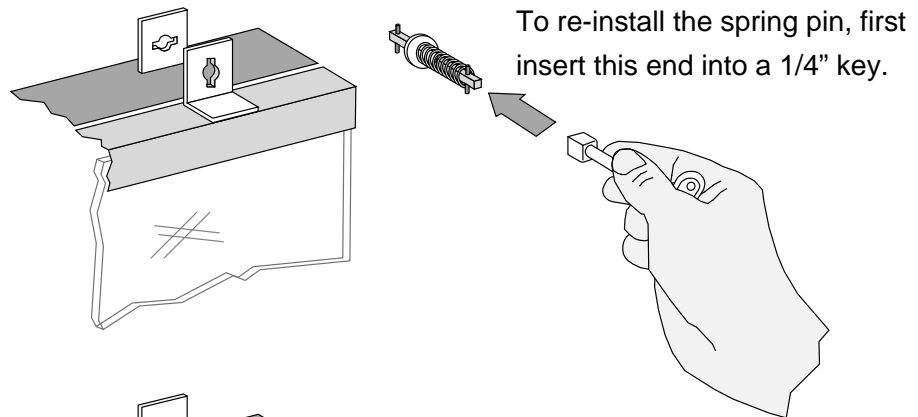
**NOTE:** Make sure the glass frame is all the way in place - it should be flush with the front of the fireplace when installed.



***Glass Frame Removal and Installation (continued)***

The spring pin can come loose from the latch assembly. This occurs when it is turned 1/4 turn when it is disengaged. Follow the directions below to re-install the spring pin if it becomes loose.

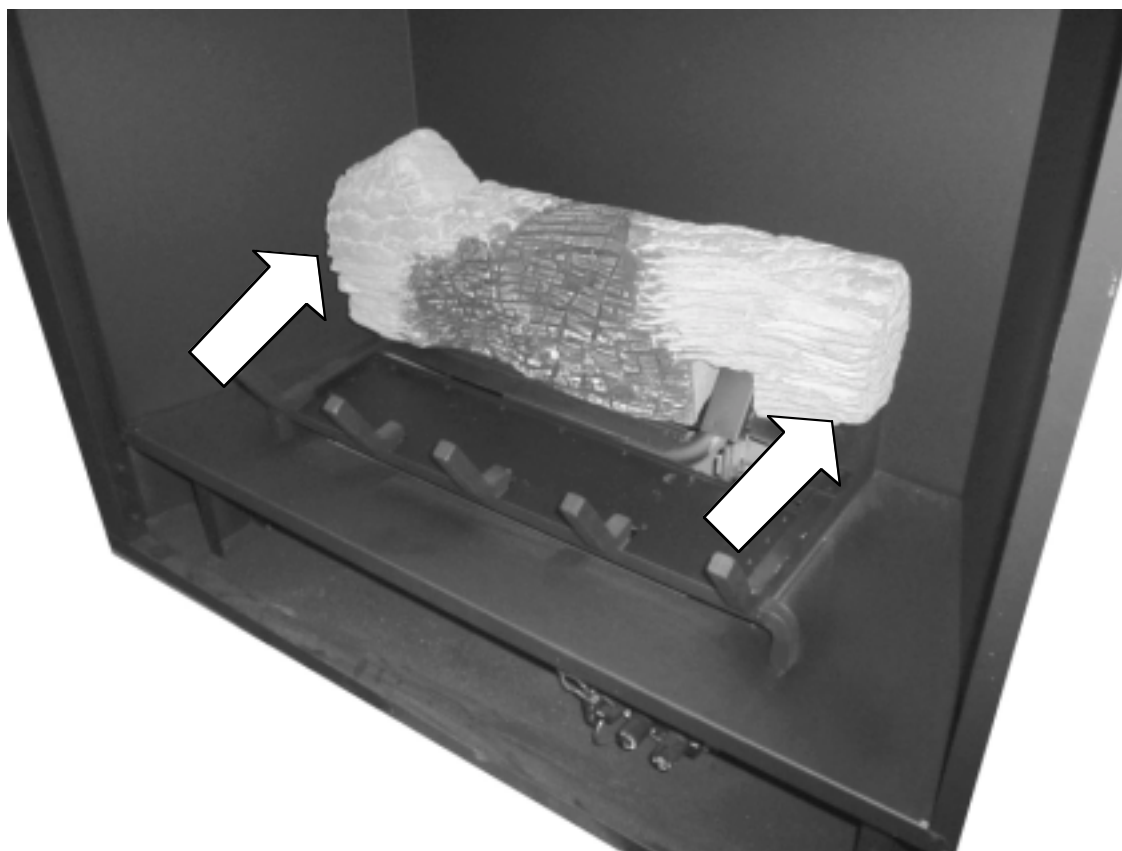
**NOTE:** The spring pins can be installed with the glass frame in place or removed.



## *Log Set Installation*

---

### Rear Log Installation

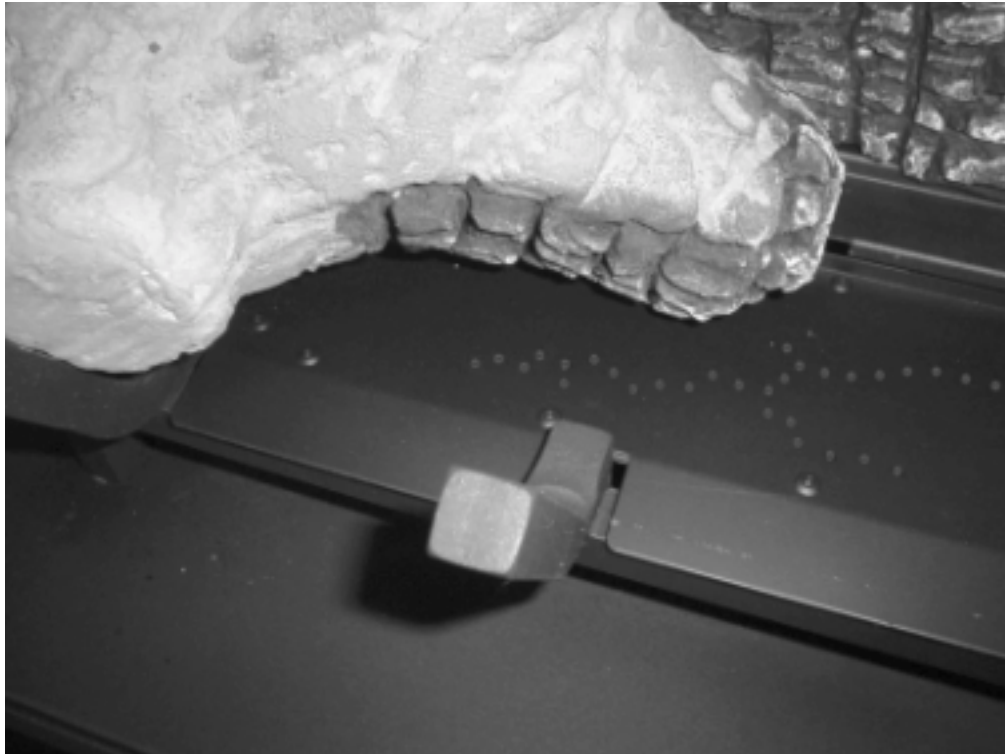


Place the rear log as shown above. Make sure it is pushed all the way back on the log shelf.

## Left Log Installation



Place the left log as shown above.

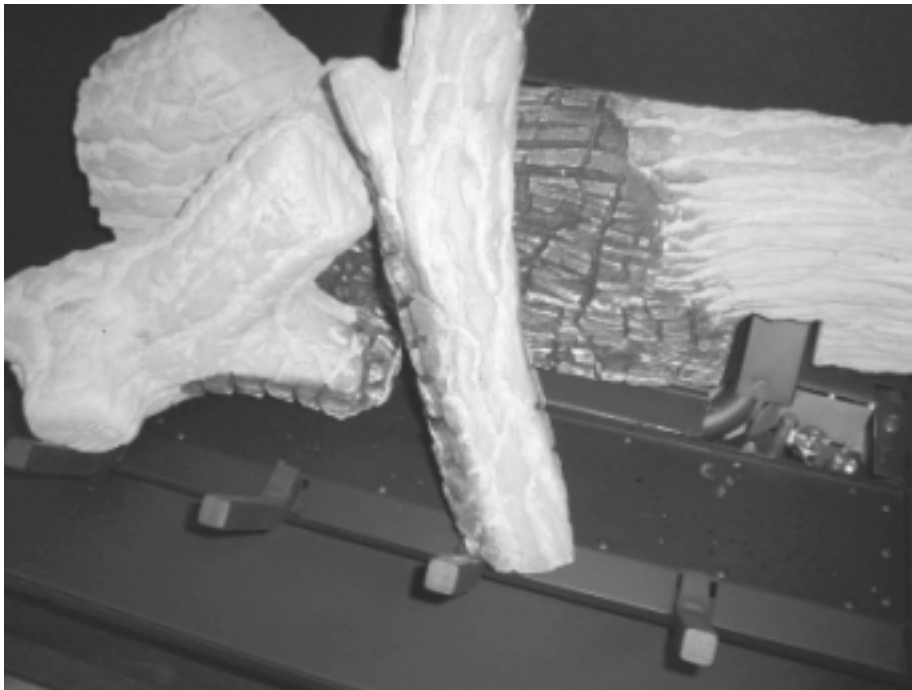


Make sure the log is positioned so it is not directly over any burner holes.

## Middle Log Installation



Place the middle log as shown above.



Note how the log leans against the left log and contacts the grate.

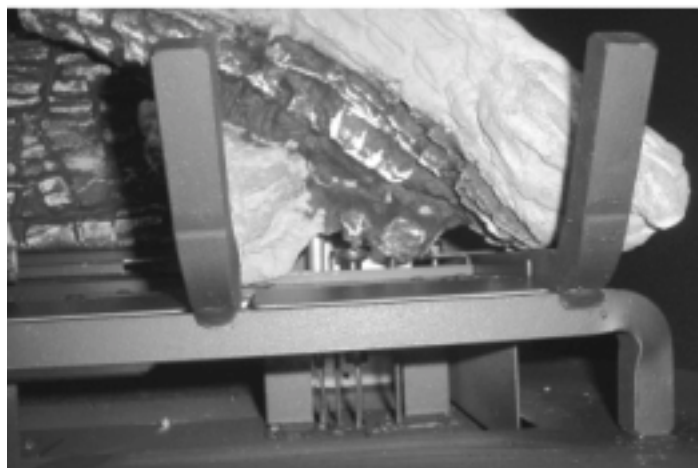
## Right Log Installation



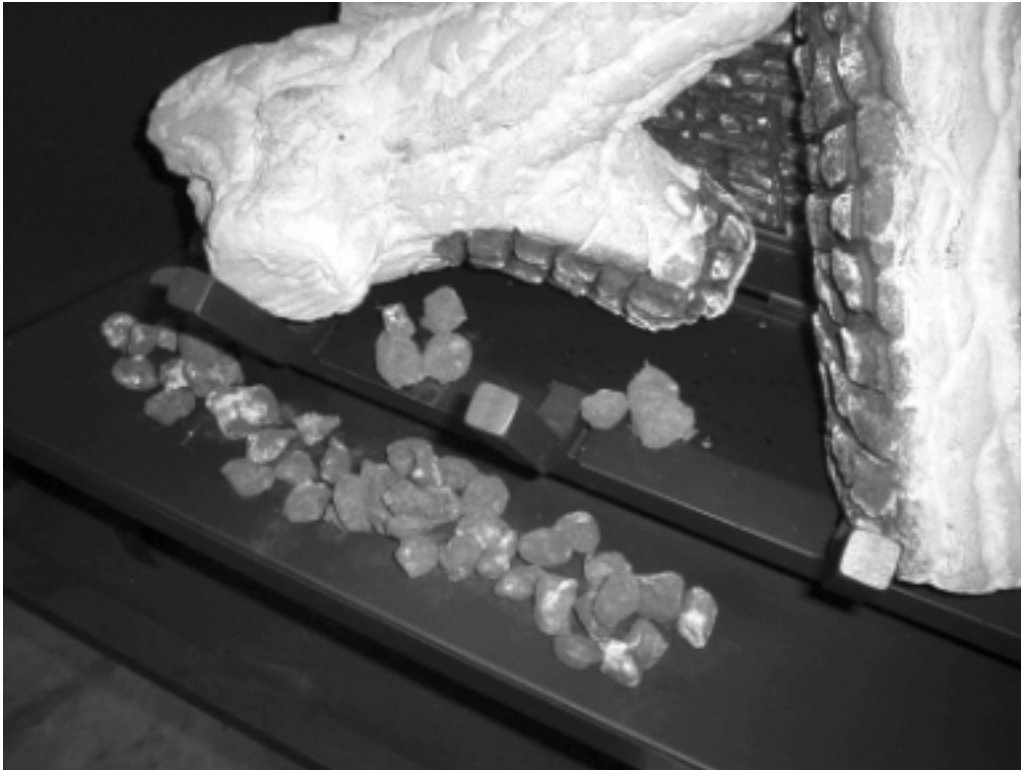
Place the right log as shown in the illustration above.



The right log has a groove in the bottom. This groove fits over the right edge of the grate as shown below.



## Ember Installation



Place the embers along the hearth plate. You may also place embers on the burner - make sure they do not cover any burner holes.

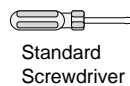
### Steps for Finalizing the Installation

1. Remove the glass (see page 41).  
**NOTE:** If using propane (LP) convert the appliance prior to installing the logs.
2. We recommend you purge the gas line at this time (with the glass removed). This allows gas to be detected once it enters the firebox, ensuring gas does not build up.
3. Turn on the gas to the fireplace. Turn on gas to the heater. Leak test all gas joints prior to starting the appliance. Start the pilot. Start the main burner. Leak test all gas joints again.
4. Check the pilot flame following the directions below.

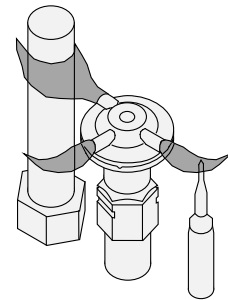
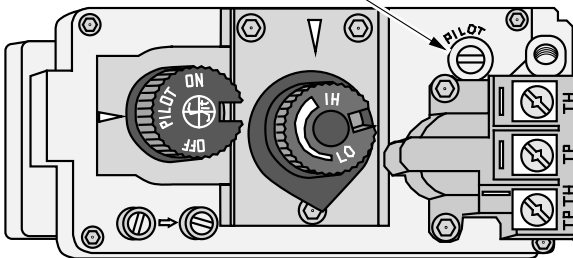
#### Pilot Flame Inspection

The pilot flame should look like the illustration below. Adjust the pilot flame if necessary.

To adjust the pilot flame, turn this screw. Clockwise lowers the flame while counter-clockwise raises it.



The pilot flame must contact the thermocouple and thermopile (see the illustration below). Adjust the pilot up or down as necessary.



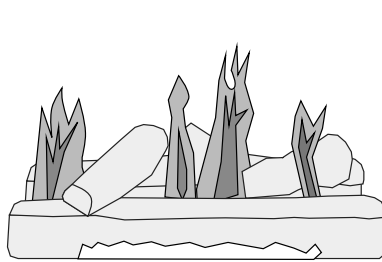
5. Install the logs (see page 43).
6. Replace the glass.



7. Check the air shutter following the directions below.

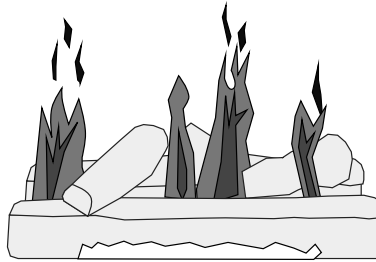
## Air Shutter Adjustment

Let the heater burn for fifteen minutes (make sure the logs and glass are in place). The flames should be yellow with no sooting. Adjust the air shutter, if necessary, to achieve the correct looking flame.



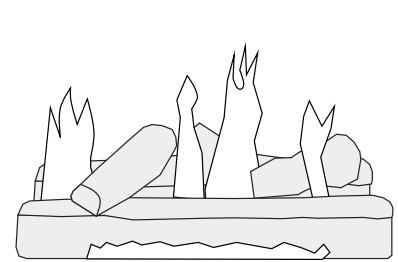
**Correct**

Flames should be blue at the base, yellow-orange on the top.



**Not Enough Air**

If the flames are over 14" tall or sooty on the ends, open the air shutter.

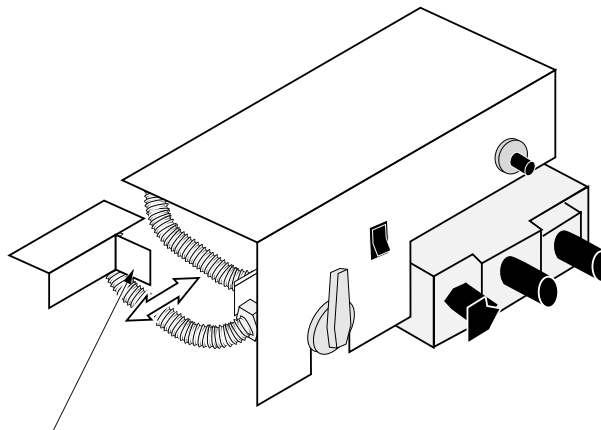


**Too Much Air**

If the flames are all blue and short, close the air shutter.

## Front Air Shutter Adjustment

The front burner air shutter may be adjusted while the burner is on (take care to prevent contacting the burner area).



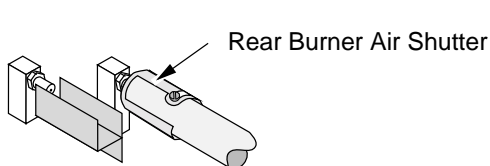
Front Burner Air Shutter Control

Left = Less Air

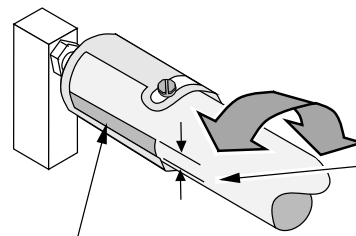
Right = More Air

## Rear Burner Air Shutter Adjustment

The rear burner air shutter is accessed by removing the front burner and rear log shelf (see "LP Conversion Instructions" on page 62 for details). After adjusting the air shutter, replace the burner, logs, and glass and verify the flame quality.



Loosen the screw on the air shutter and rotate the air shutter.



This gap is the air shutter opening.

### For LP Units:

Start with the rear air shutter set to a 3/16" opening.

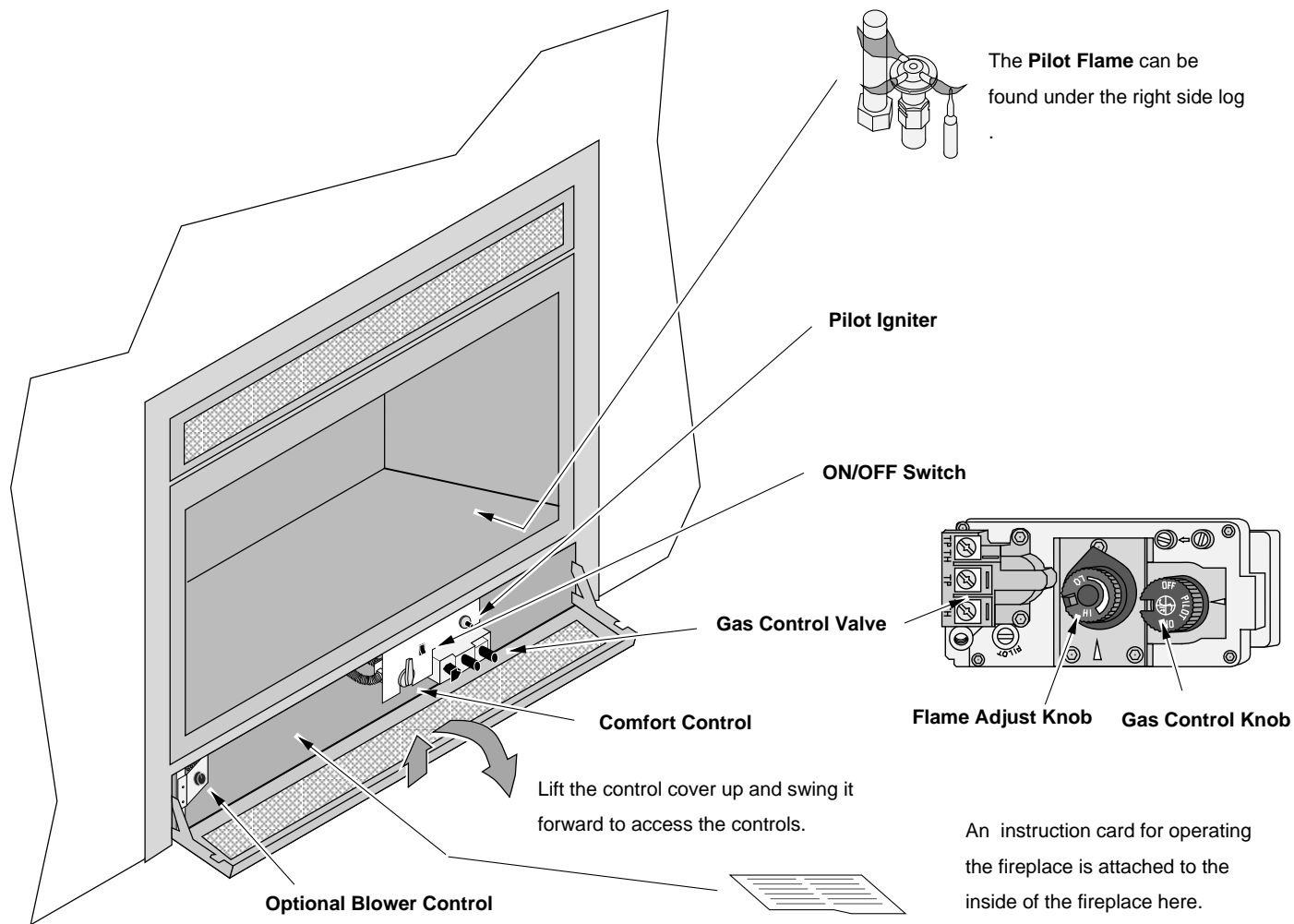
**ACID WASH WARNING:** Before installing the faceplate, make sure any masonry that has been treated with acid wash has been properly neutralized (this is used primarily with brick faces). Acid wash (muriatic acid) is used to remove excess mortar. If not properly neutralized with an ammonia solution, the gold face may develop a permanent tarnish when the acid evaporates over time. Contact your dealer if uncertain your facing has been properly neutralized.

8. Turn the flame adjust knob to its highest position - the flames should be approximately 10" tall. Check the flame on low position. The flames should burn off of each burner hole. If the heater does not work correctly, contact your dealer for a remedy.
9. Give this manual to the home owner and fully explain the operation of this heater.

## Before You Begin

- Read this entire manual before you use your new fireplace (especially the section "Safety Precautions" on pages 4 & 5). Failure to follow the instructions may result in property damage, bodily injury, or even death.

## Location of Controls



### Pilot Igniter

The pilot igniter is used only to start the pilot. When pressed, it sends an electrical charge to the pilot assembly. This creates a blue spark directly next to the pilot, igniting the pilot flame.

### On/Off Switch

This control is used to turn the fireplace burners on and off.

### Gas Control Knob

This knob is used to control gas to the fireplace and for starting the pilot. There are three positions, ON, OFF, & PILOT. The pointer to the left of the knob indicates the position this knob is in.

### Flame Adjust Knob

This knob controls the flame height from low ("LO") to high ("HI"). The pointer above the knob points to the position this knob is in.

### Comfort Control

This lever turns the rear burner on and off.  
NOTE: THIS IS NOT A SHUTOFF VALVE.

### Optional Blower Control

This knob controls the speed of the optional internal convection blower that pushes heated air into the room.

## Starting The Pilot Flame

The pilot flame is required to ignite the main burners (it also plays a safety role). It should be left on once lit. It will stay lit unless the gas control valve is turned to "OFF". However, the pilot will go out if the gas is shut off, the propane tank runs out (or low) or if the stove malfunctions. If the pilot turns off frequently, call your dealer for information. To start the pilot follow the directions below:

### **WARNING:**

**When lighting or re-lighting the pilot, the glass must be removed (see page 41).**

- a Remove the glass (see page 41 for details).
- b Push the gas control knob in slightly and turn it to the "OFF" position. The knob will not turn from "ON" to "OFF" unless the knob is depressed slightly. Wait five minutes to let any gas that may have accumulated inside the firebox escape. If you smell leaking gas, follow the directions on the cover "IF YOU SMELL GAS".
- c Turn the gas control knob to the "PILOT" position and press the knob in, this will allow gas to flow to the pilot light. Press the button on the pilot igniter repeatedly until you see the pilot light.

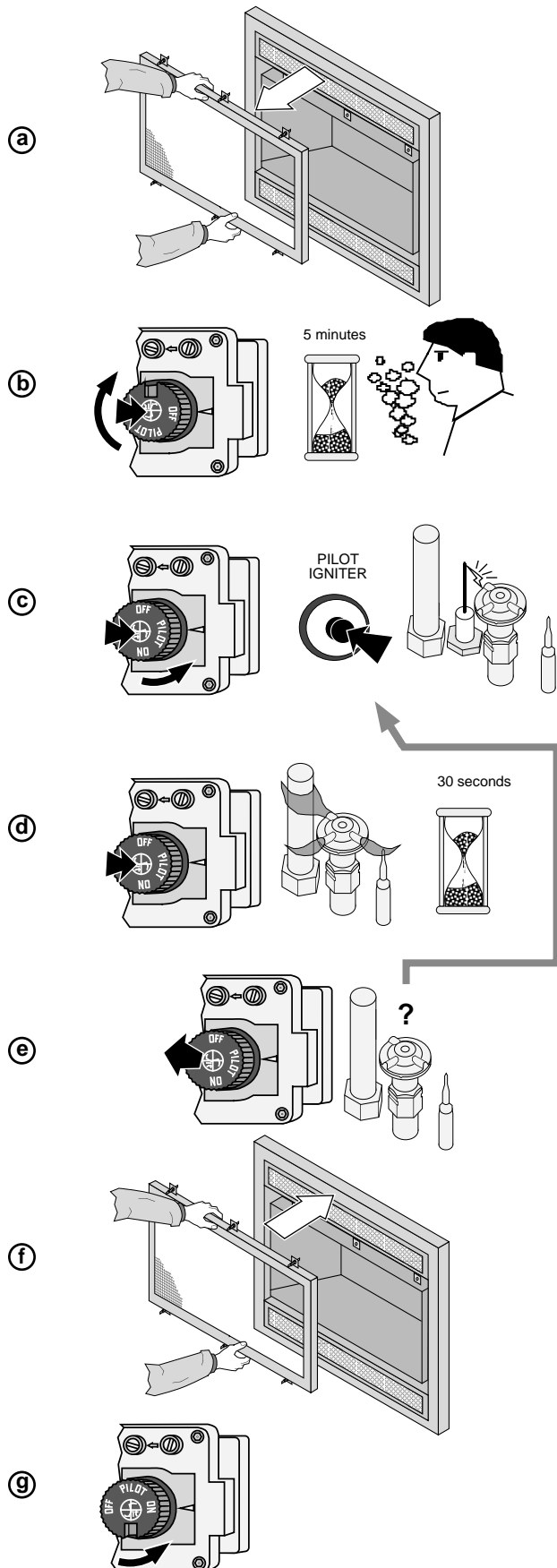
### **WARNING:**

**If the pilot does not light after 15 seconds, release the knob and call your dealer for service. Do not attempt to light pilot until service has been performed.**

### **NOTE:**

**You may wish to remove the log set to gain a better view of the pilot (see page 43).**

- d Keep the gas control knob depressed for 30 seconds once it is lit.
- e Release the gas control knob. If the pilot goes out, repeat step C. If the pilot refuses to stay lit, call your dealer for service. With the pilot lit, proceed to step "f".
- f Replace the glass.
- g Turn the gas control knob counter-clockwise to "ON". The pilot is now lit and the heater can be turned on and off.



## Starting the Fireplace for the First Time

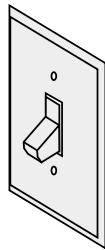
- Burn the heater at a high setting with the blower off for an extended period (up to 48 hours). This will cure the painted surfaces. **Fumes** from the paint curing and oil burning off the steel will occur. This is normal. We recommend opening a window to vent the room.
- **Condensation** may appear on the glass each time you start the fireplace - this is normal.
- **Blue Flames** will occur on the fireplace when it first comes on. After fifteen minutes the flames will turn a more realistic yellow and orange color.
- Certain installations use a remote "wall switch" to turn the fireplace on and off. If this is the case, leave the ON/OFF switch "ON".

## Turning the Fireplace On and Off

After the pilot has been started...



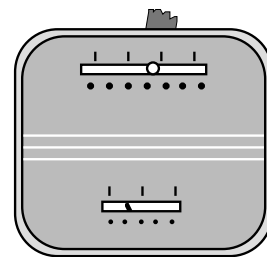
A switch is provided behind the control cover (below the firebox).



A wall switch may be used to turn the fireplace on and off.



An optional remote may be used (see the instructions included with the remote).



An optional wall thermostat may be used to control the temperature.

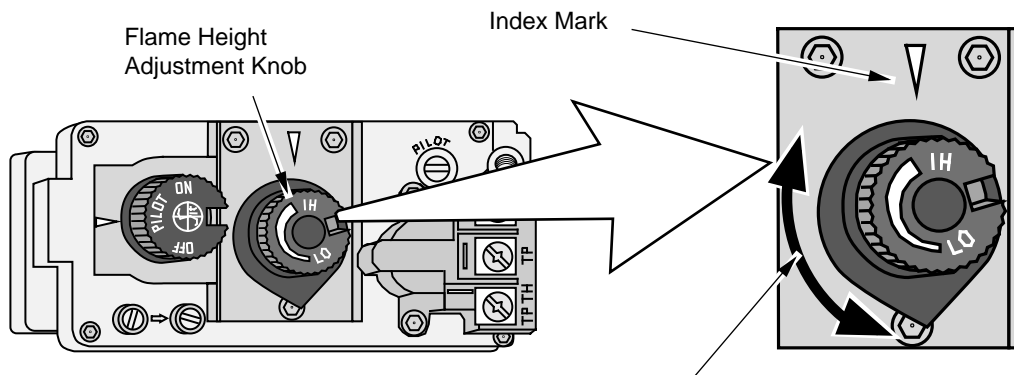
### NOTE FOR REMOTES, THERMOSTATS, OR WALL SWITCHES:

The on/off switch on the fireplace may be required to be left in the ON or OFF position for the fireplace to operate. Consult your installer or dealer for details.

- Do not place any combustible items on top of or directly in front of the fireplace, even temporarily. The optional thermostat may start the fireplace causing a combustible item to ignite.
- If the fireplace turns on and off frequently while using the thermostat, you may want to adjust the flame height down until it produces just enough heat needed.

## Adjusting the Flame Height

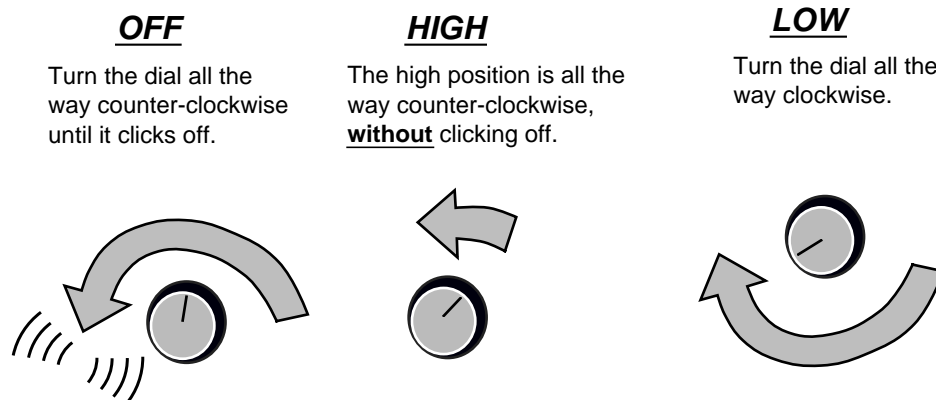
- Your fireplace has an adjustable flame to tailor the look and heat output to your specific needs. It is adjusted by turning the middle dial on the gas control valve.



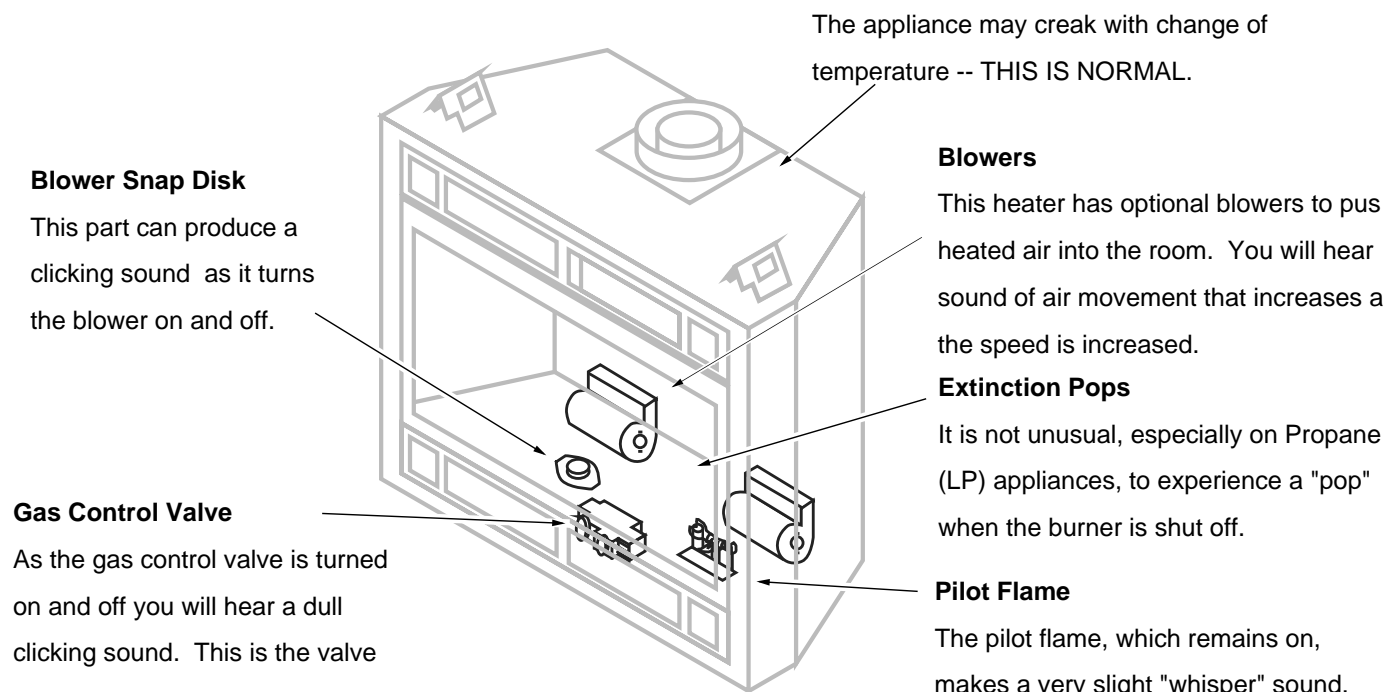
Turn counter-clockwise to adjust the flame higher, clockwise to lower.

## Adjusting the Optional Blower Speed

The blower helps transfer heat from the heater into the room. It will not turn on until the heater is up to temperature (approximately 10 minutes after starting). See the illustration below for instructions on adjusting the blower speed.



## Normal Operating Sounds



## Normal Operating Odors

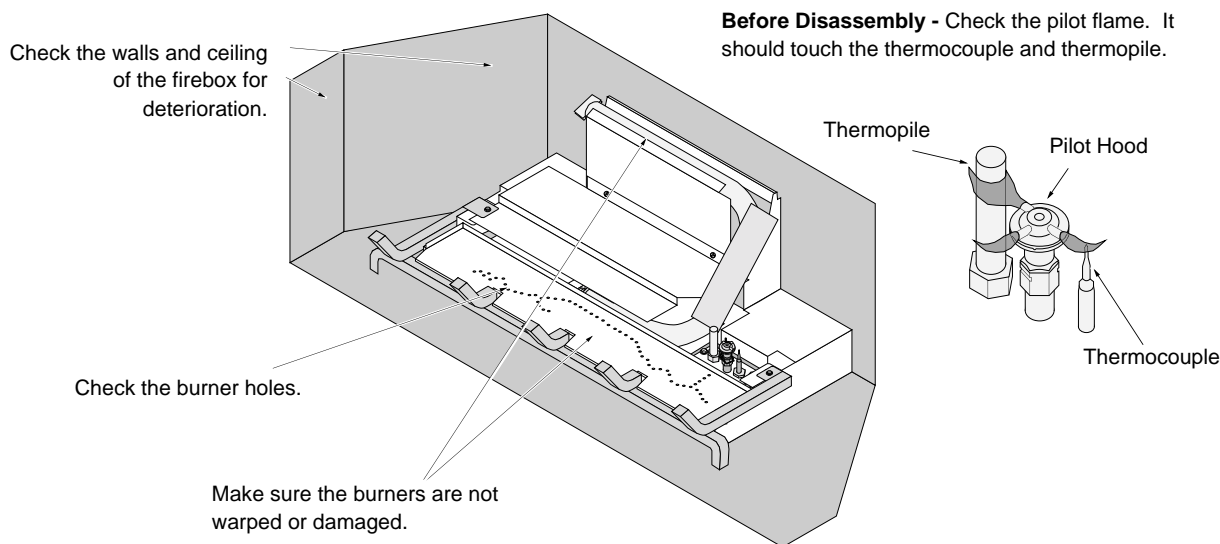
This appliance has several areas that reach high temperatures. Dust or other particles on these areas may burn and create an odor. This is normal during start-up. You may notice the smell is more acute if the appliance was left idle for a long period.

## Maintaining Your Fireplace's Appearance

Fingerprints or other marks left on the optional plated surface may become etched in place if they are not wiped clean prior to turning the fireplace on. Clean the plated surface with denatured alcohol and a soft cloth (with the fireplace cool). Other cleaners may leave a film that may become etched into the surface.

## Yearly Service Procedure

- Failure to inspect and maintain the fireplace may lead to improper combustion and a potentially dangerous situation. We recommend the following procedures be done by a qualified technician.
1. Check the pilot flame. It should touch approximately 3/8" of the top of the thermopile and touch the top of the thermocouple (see illustration below). If it does not, contact your dealer for service.
  2. Shut off gas to the fireplace by turning the gas control knob to "OFF" (see step A under "Starting the Pilot" on page 52). Let the fireplace cool for 15 minutes. Remove the glass (see page 41).
  3. Remove the log set (**NOTE: the logs are very fragile** - see page 43). If severely deteriorated, replace. Check the logs for sooting. A small amount of soot along the bottom of the logs is normal. If excessive sooting is found, the fireplace will require adjustment. Contact your dealer.
  4. Inspect the burner and remove any debris.
    - Make sure the burner is not warped, cracked, or damaged.
    - Check the firebox and area around the pilot to make sure there is no warping or damage.
    - If any problem is found, discontinue use and contact your dealer for service.

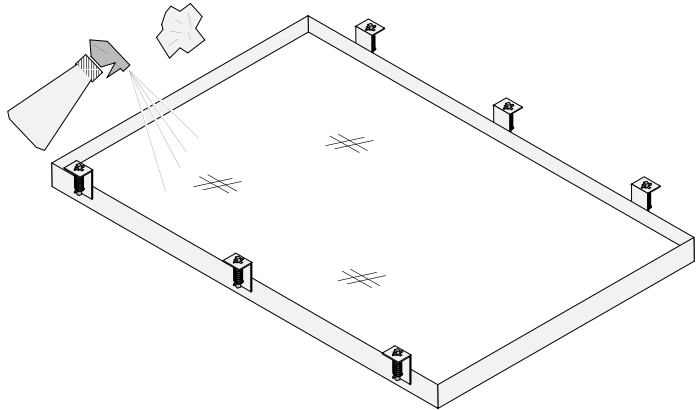


5. Replace the log set. Clean and replace the glass (see Glass Cleaning on page 56). If the glass is damaged, replace. Make sure the gasket along the perimeter of the glass contacts the face of the firebox and forms an air-tight seal. If it does not, re-align or replace the gasket to insure an air-tight seal.
6. Inspect the area behind the access door. Clean if necessary. Check the gas control valve and the gas lines. If damage is found, discontinue use and contact your dealer for service. Clean the air channels, ducts, and blower (if applicable).
7. Start the pilot and turn on the main burner. The flames should be orange/yellow and not touch the top of the firebox. If the pilot or main burners do not burn correctly, contact your dealer for service. Monitor the blower operation.
8. Remove any debris or vegetation near the vent termination. Contact your dealer if any sooting or deterioration is found near the vent termination.

## Glass Cleaning

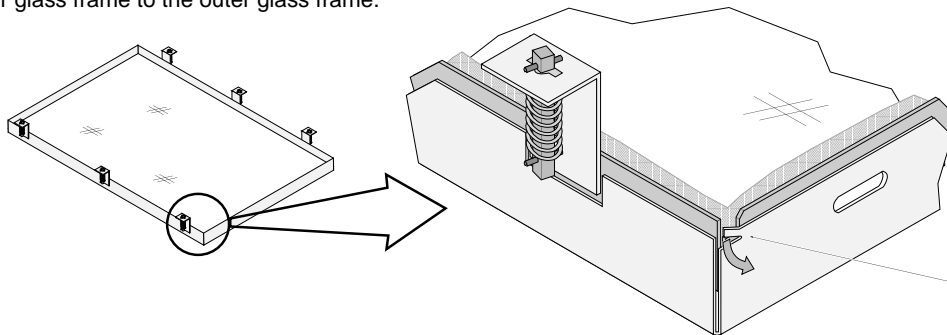
The glass may be cleaned with a non-abrasive cleaner. To clean the inside of the glass, simply remove the glass frame, place it on a non-scratching surface, and clean the inside surface.

If the outside surface of the glass frame requires cleaning, follow the directions below to remove the outer glass frame and screen.

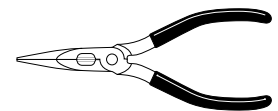


**WARNING:** do not operate the fireplace without the glass frame and screen in place.

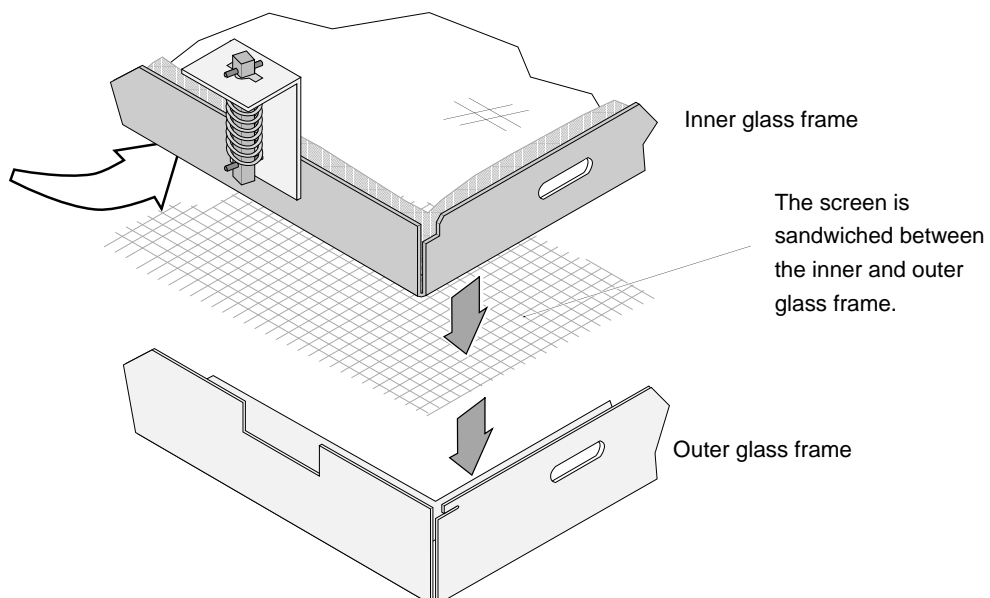
A tab at each corner of the glass assembly holds the inner glass frame to the outer glass frame.



**NOTE:** when re-attaching the outer frame, bend the tab inwards 30° (do not over-bend)



With the outer glass frame and screen removed, the outer surface of the glass may be cleaned.





## Troubleshooting Table

<b>Problem:</b>	<b>Possible Cause:</b>	<b>Don't Call for Service Until You:</b>
<b>Pilot Will Not Light</b>	A gas shut off valve is turned off..... The gas control knob isn't turned to "PILOT"..... The valve control knob isn't pushed in..... The igniter wasn't pressed repeatedly..... No Propane in Tank.....	Check all gas shut off valves See "Starting the Pilot Light" Step C See "Starting the Pilot Light" Step C See "Starting the Pilot Light" Step C Check Tank Level
<b>Main Burners Will Not Start</b>	The pilot light has gone out..... The gas control valve is turned to "PILOT" or "OFF" The ON/OFF switch is turned to "OFF"..... The remote control is not working correctly..... The thermostat is disconnected or set too low...	See "Starting the Pilot Light" See "Starting the Pilot Light" Turn the ON/OFF switch to "ON" See the remote control instructions See "Thermostat Operation"
<b>Remote Control Does Not Work</b>	The pilot light has gone out..... The gas control valve is turned to "PILOT" or "OFF" The ON/OFF switch is turned to "OFF"..... The remote is too far away from the fireplace ... The remote control receiver is turned "Off"..... One of the two remote control batteries is dead_	See "Starting the Pilot Light" See "Starting the Pilot Light" Turn the ON/OFF switch to "ON" Use the remote closer to the fireplace See the remote control instructions See the remote control instructions
<b>Thermostat Does Not Work</b>	The pilot light has gone out..... The gas control valve is turned to "PILOT" or "OFF" The ON/OFF switch is turned to "OFF"..... The thermostat is set too low.....	See "Starting the Pilot Light" See "Starting the Pilot Light" Turn the ON/OFF switch to "ON" See "Thermostat Operation"
<b>Fireplace Will Not Distribute Heat</b>	The fireplace is not getting electricity..... The fireplace is not up to temperature.....	Check the breaker switch See "Operating Your Fireplace"
<b>Pilot Goes Out Intermittently</b>	The gas supply has been shut off.....	Keep the gas supply turned on
<b>Flames Are Too Blue</b>	The fireplace has just been started..... Improper air shutter adjustment.....	This is normal - see "Starting the Fireplace for the First Time" Adjust Air Shutter - contact your dealer
<b>Flames Are Too Short (Under 6")</b>	The flame height may be turned too low.....	Turn the flame height to "HI" - See "Adjusting the Flame Height"
<b>Thin Layer of Soot Covers the Glass</b>	The logs or coals are placed incorrectly..... Improper air shutter adjustment.....	See "Log Set Installation" Adjust Air Shutter - contact your dealer

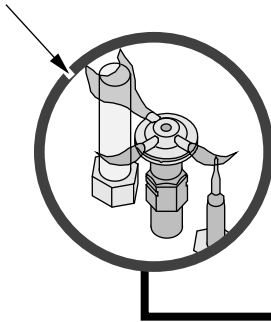
## How this Fireplace Works

This fireplace was designed with safety as the primary concern. Many of the components inside this fireplace are for safety purposes. Therefore, only certified gas service technicians should service this fireplace.

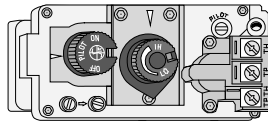
### What Turns the Main Burners On and Off

This fireplace uses a millivolt system to control its operation (a millivolt is a very small amount of electricity). The thermopile and thermocouple generate electricity when heated by the pilot flame. This electricity is used to operate the gas valve. Without enough electricity, the gas valve will not turn on. That is why when starting the pilot the gas control knob has to be pressed in long enough for the thermocouple to heat up and generate enough electricity. The thermopile provides power for the ON/OFF switch, remote control, or thermostat (see the illustration below). Because the thermopile generates the electricity needed to turn the fireplace on and off, this fireplace can be operated when the power is out (although the blower will not run).

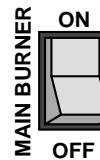
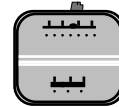
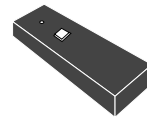
When heated, the thermopile generates electricity (a very small amount measured in "Millivolts").



This electricity is used to operate the main burners.



The main burners are switched on and off using the electricity generated by the thermopile. The ON/OFF switch, remote control, or thermostat control the circuit to the main burner.



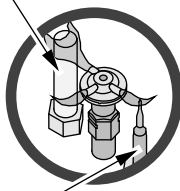
### What Prevents Gas Buildup

This appliance utilizes a high-technology gas valve in conjunction with a pilot flame to ensure no gas builds up inside the firebox.

The thermocouple (next to the pilot) senses when the pilot flame is lit. If the pilot flame goes out, this thermocouple no longer generates electricity, causing the gas valve to automatically shut off all gas to the heater, preventing the pilot from spilling gas into the firebox.

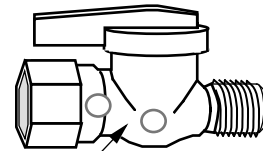
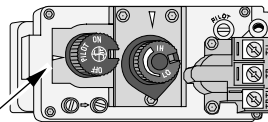
#### Pilot Flame

The pilot flame is a time-proven component that eliminates the possibility of gas buildup inside the firebox.



#### Gas Valve

This high-technology valve automatically shuts off all gas if it does not receive a signal from the thermocouple. If any component is damaged or sensing a malfunction, or if the wiring is damaged, it will shut off all gas.

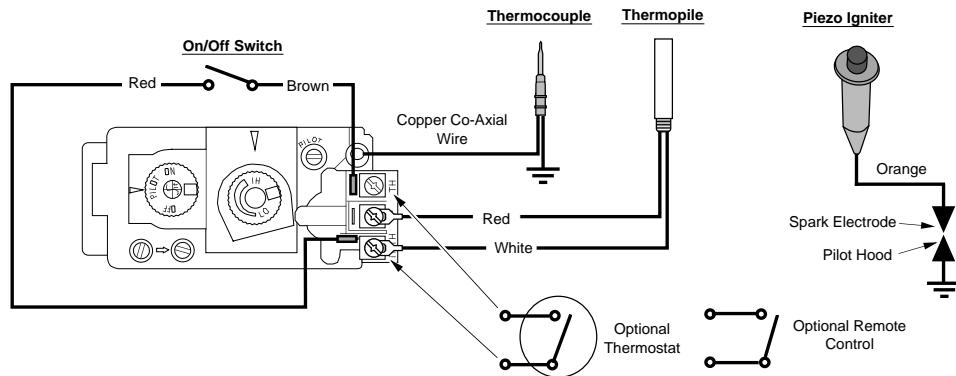


#### External Shut Off Valve

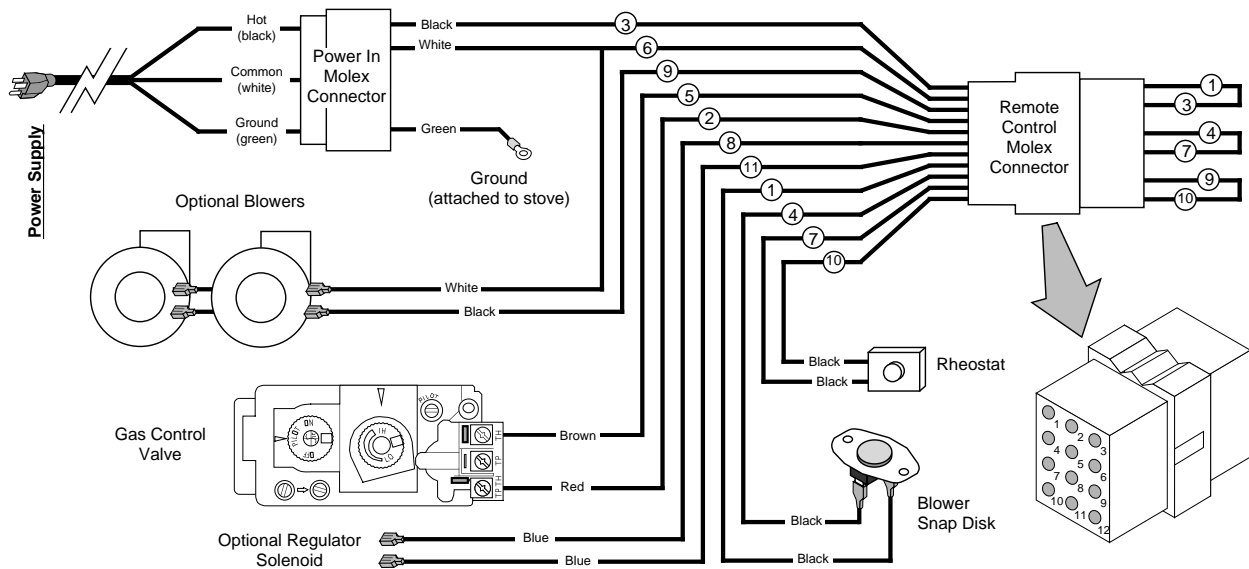
This valve is placed on the gas line to shut off gas to the appliance during maintenance procedures.

## Wiring Diagram

### Millivolt Wiring (stock configuration)



### Optional Blower Wiring Harness



**Caution:** Label all wires prior to disconnection when servicing controls. Wiring errors can cause improper and dangerous operation.


### Replacement Parts List

**Caution:** Use only Travis Industries replacement parts. Do not use substitute materials.

**Warning:** Do not operate appliance with the glass front removed, cracked, or broken. Replacement of the glass should be done by a licensed or qualified service person.

**Listing Label**

The safety (listing) label is attached to the operating tag (chained to the fireplace near the gas control valve). A copy is shown to the right.



UL  
Listed by  
UL  
Certified for USA  
Report No. Q28-F-595

**864TRV**  
Vented Gas Fireplace Heater

---

Tested to: ANSI Z21.88-2003 "Vented Gas Fireplace Heater" and UL 307b-1995 "Gas Burning Heating Appliances for Manufactured Homes". This appliance must be installed in accordance with local codes; if any, if none, follow the National Fuel Gas Code, ANSI Z223.1/NFPA 54, Installation in Manufactured or Mobile Homes must conform with Manufactured Home Construction and Safety Standard, Title 24 CFR, Part 3280.

This vented gas fireplace heater is equipped at the factory for use with natural gas. If conversion to propane (LP) is desired, the optional factory conversion kit must be used.

This appliance is only for use with the type of gas indicated on the rating plate and may be installed in an aftermarket, permanently located, manufactured (mobile) home where not prohibited by local codes. See owner's manual for details. This appliance is not convertible for use with other gases, unless a certified kit is used.

This vented gas fireplace heater is not for use with air filters.

Keep burner and control compartment clean. See installation and operating instructions accompanying appliance.

This appliance must be properly connected to a venting system in accordance with the manufacturer's installation instructions. Use only approved coaxial direct vent system to vent this appliance to the exterior. See owner's manual for approved brands of venting.

**WARNINGS:** Improper installation, adjustment, alteration, service or maintenance can cause injury or property damage. Refer to the owner's information manual provided with this appliance. For assistance or additional information consult a qualified installer, service agency or the gas supplier.

**VENTED GAS FIREPLACE HEATER – NOT FOR USE WITH SOLID FUEL**

**CAUTION:** Hot while in operation. Do not touch. Severe burns may result. Keep children, clothing, furniture, gasoline and other liquids having flammable vapors away. Do not operate this appliance with glass removed, cracked or broken. Replacement of the panel(s) should be done by a licensed or qualified service person.

IGN 549

---

**Minimum Clearances to Combustibles**

Fireplace to Adjacent Wall	1"	Top to enclosure (from stand-off)	0"
Wood Floor Beneath Fireplace	0"	Sides to enclosure	0.5"
Back to enclosure	0.5"	Base of Fireplace to an 8" Mantel (see manual for other mantel depths)	44.75"

	LP	NG		LP	NG
Input Rate on "H" (BTU/H)	31,000	31,000	Minimum Inlet Pressure (inches W.C.)	11"	5.5"
Input Rate on "LO" (BTU/H)	8,000	10,000	Maximum Inlet Pressure (inches W.C.)	13"	7"
			Manifold Pressure on "H" (inches W.C.)	10"	3.5"

For natural gas when equipped with the following drill size orifice: DMS 49 Front - 49 Back  
 For propane when equipped with the following drill size orifice: DMS 57 Front - 57 Back


This appliance is equipped for use only at altitudes 0-2,000 feet.  
 For altitudes above 2,000 feet, the vent configuration, orifice, or combination of both may need to be changed.  
 See the owner's manual for information on making these changes.

Electrical Rating: 115v, 1.5 Amps, 60 Hz

---

Manufacture Date:

<input type="checkbox"/> 2005	<input type="checkbox"/> Jan.	<input type="checkbox"/> Apr.	<input type="checkbox"/> Jul.	<input type="checkbox"/> Oct.
<input type="checkbox"/> 2006	<input type="checkbox"/> Feb.	<input type="checkbox"/> May	<input type="checkbox"/> Aug.	<input type="checkbox"/> Nov.
<input type="checkbox"/> 2007	<input type="checkbox"/> Mar.	<input type="checkbox"/> Jun.	<input type="checkbox"/> Sep.	<input type="checkbox"/> Dec.



**TRAVIS INDUSTRIES**  
HOUSE OF FIRE

4800 Harbour Pointe Blvd. SW Mukilteo, WA 98275

To register your TRAVIS INDUSTRIES, INC. 7 Year Warranty, complete the enclosed Warranty card and mail it within **ten (10)** days of the appliance purchase date to: TRAVIS INDUSTRIES, INC., 4800 Harbour Pointe Blvd. SW, Mukilteo, WA 98275. TRAVIS INDUSTRIES, INC. warrants this gas appliance (appliance is defined as the equipment manufactured by Travis Industries, Inc.) to be defect-free in material and workmanship to the original purchaser from the date of purchase as follows:

**Check with your dealer in advance for any costs to you when arranging a warranty call.  
Mileage or service charges are not covered by this warranty. This charge can vary from store to store.**

## Years 1 & 2 - COVERAGE: PARTS & LABOR

### Burner Assembly:

Burner, Burner Pan, Air Shutter Assembly, Main Burner Orifice

### Firebox Assembly:

Adjustable Air Restrictor, Pressure Relief Mechanisms, Barometric Control Mechanism (for models with Remote Heat Ducts), Glass Attachment Mechanism

### Electrical Assembly (within heater structure):

Blower, wiring harness, snap discs, rheostat speed control

### Gas Control Assembly

Adjustable control valve, millivolt wiring and connectors (located within the metal heater structure), thermopile, thermocouple, pilot hood, orifices, pilot gas line, piezo ignitor

### Glass

Glass (breakage from thermal shock)

### Ceramic Logs

Log Set, Coals, Ember Strip (Steel Fiber)

### Gold, Nickel & Copper Plating

Face & Door (see "Conditions and Exclusions" # 9)

### Accessories

Cast Brick, Cast Firebacks, Power Heat Ducts, Andirons

### Convection Heat Exchanger

### Re-Installation Allowance

In cases where heater must be removed from home for repairs, a partial cost of re-installation is covered (pre-authorization required)

### One-Way Freight Allowance

One-way freight allowance on pre-authorized repair done at factory is covered.

**Exclusions:** Paint, Gasketing

## Years 3 THROUGH 5 - COVERAGE: PARTS & LABOR

### Convection Heat Exchanger

### Firebox Assembly:

Adjustable Air Restrictor, Pressure Relief Mechanisms, Barometric Control Mechanism (for models with Remote Heat Ducts), Glass Attachment Mechanism

### One-Way Freight Allowance

One-way freight allowance on pre-authorized repair done at factory is covered.

**Exclusions:** Paint, Gasketing, Burner Assembly, Electrical Assembly, Gas Control Assembly, Glass, Ceramic Logs, Gold, Nickel & Copper Plating, Accessories, Re-Installation Allowance

## Years 6 & 7 - COVERAGE: PARTS ONLY

### Firebox Assembly:

Adjustable Air Restrictor, Pressure Relief Mechanisms, Barometric Control Mechanism (for models with Remote Heat Ducts), Glass Attachment Mechanism

**Exclusions:** Paint, Gasketing, Burner Assembly, Electrical Assembly, Gas Control Assembly, Glass, Ceramic Logs, Gold, Nickel & Copper Plating, Accessories, Convection Heat Exchanger, Re-Installation Allowance, One-Way Freight Allowance, Labor

## CONDITIONS & EXCLUSIONS

- This new gas appliance must be installed by a qualified gas appliance technician. It must be installed, operated, and maintained at all times in accordance with the instructions in the Owner's Manual. Any alteration, willful abuse, accident, neglect, or misuse of the product shall nullify this warranty.
- This warranty is nontransferable, and is made to the ORIGINAL purchaser, provided that the purchase was made through an authorized TRAVIS dealer.
- Discoloration and some minor expansion, contraction, or movement of certain parts and resulting noise, is normal and not a defect and, therefore, not covered under warranty. The installer must ensure the appliance is burning as per the rating tag at the time of installation. Over-firing (operation above the listed BTU rate) of this appliance can cause serious damage and will nullify this warranty.
- The warranty, as outlined within this document, does not apply to the chimney components or other Non-Travis accessories used in conjunction with the installation of this product. If in doubt as to the extent of this warranty, contact your authorized TRAVIS retailer before installation.
- Travis Industries will not be responsible for inadequate performance caused by environmental conditions such as nearby trees, buildings, roof tops, wind, hills or mountains or negative pressure or other influences from mechanical systems such as furnaces, fans, clothes dryers, etc.
- This Warranty is void if:
  - The unit has been operated in atmospheres contaminated by chlorine, fluorine or other damaging chemicals.
  - The unit is subject to submersion in water or prolonged periods of dampness or condensation.
  - Any damage to the unit, combustion chamber, heat exchanger or other components due to water, or weather damage which is the result of, but not limited to, improper chimney/venting installation.
- Exclusions to this 7 Year Warranty include: injury, loss of use, damage, failure to function due to accident, negligence, misuse, improper installation, alteration or adjustment of the manufacturer's settings of components, lack of proper and regular maintenance, damage incurred while the appliance is in transit, alteration, or act of God.
- This 7 Year warranty excludes damage caused by normal wear and tear, such as paint discoloration or chipping, worn or torn gasketing, corroded or cracked logs, embers, etc. Also excluded is damage to the unit caused by abuse, improper installation, modification of the unit, drilling of the orifices, or the use of fuel other than that for which the unit is configured. Units are shipped for natural gas and must be converted to propane using the included conversion kit. Confirm fuel configuration with your installer.
- Damage to gold or nickel surfaces caused by fingerprints, scratches, melted items-, or other external sources left on the gold or nickel from the use of cleaners other than denatured alcohol is not covered in this warranty.
- TRAVIS INDUSTRIES, INC. is free of liability for any damages caused by the appliance, as well as inconvenience expenses and materials. Incidental or consequential damages are not covered by this warranty. In some states, the exclusion of incidental or consequential damage may not apply.
- This warranty does not cover any loss or damage incurred by the use or removal of any component or apparatus to or from the gas appliance without the express written permission of TRAVIS INDUSTRIES, INC. and bearing a TRAVIS INDUSTRIES, INC. label of approval.
- Any statement or representation of TRAVIS products and their performance contained in TRAVIS advertising, packaging literature, or printed material is not part of this 7 year warranty.
- This warranty is automatically voided if the appliance's serial number has been removed or altered in any way. If the appliance is used for commercial purposes, it is excluded from this warranty.
- No dealer, distributor, or similar person has the authority to represent or warrant TRAVIS products beyond the terms contained within this warranty. TRAVIS INDUSTRIES, INC. assumes no liability for such warranties or representations.
- Travis Industries will not cover the cost of the removal or re-installation of hearths, facing, mantels, venting or other components.
- If for any reason any section of this warranty is declared invalid, the balance of the warranty remains in effect and all other clauses shall remain in effect.
- THIS 7 YEAR WARRANTY IS THE ONLY WARRANTY SUPPLIED BY TRAVIS INDUSTRIES, INC., THE MANUFACTURER OF THE APPLIANCE. ALL OTHER WARRANTIES, WHETHER EXPRESS OR IMPLIED, ARE HEREBY EXPRESSLY DISCLAIMED AND PURCHASER'S RECOURSE IS EXPRESSLY LIMITED TO THE WARRANTIES SET FORTH HEREIN.**

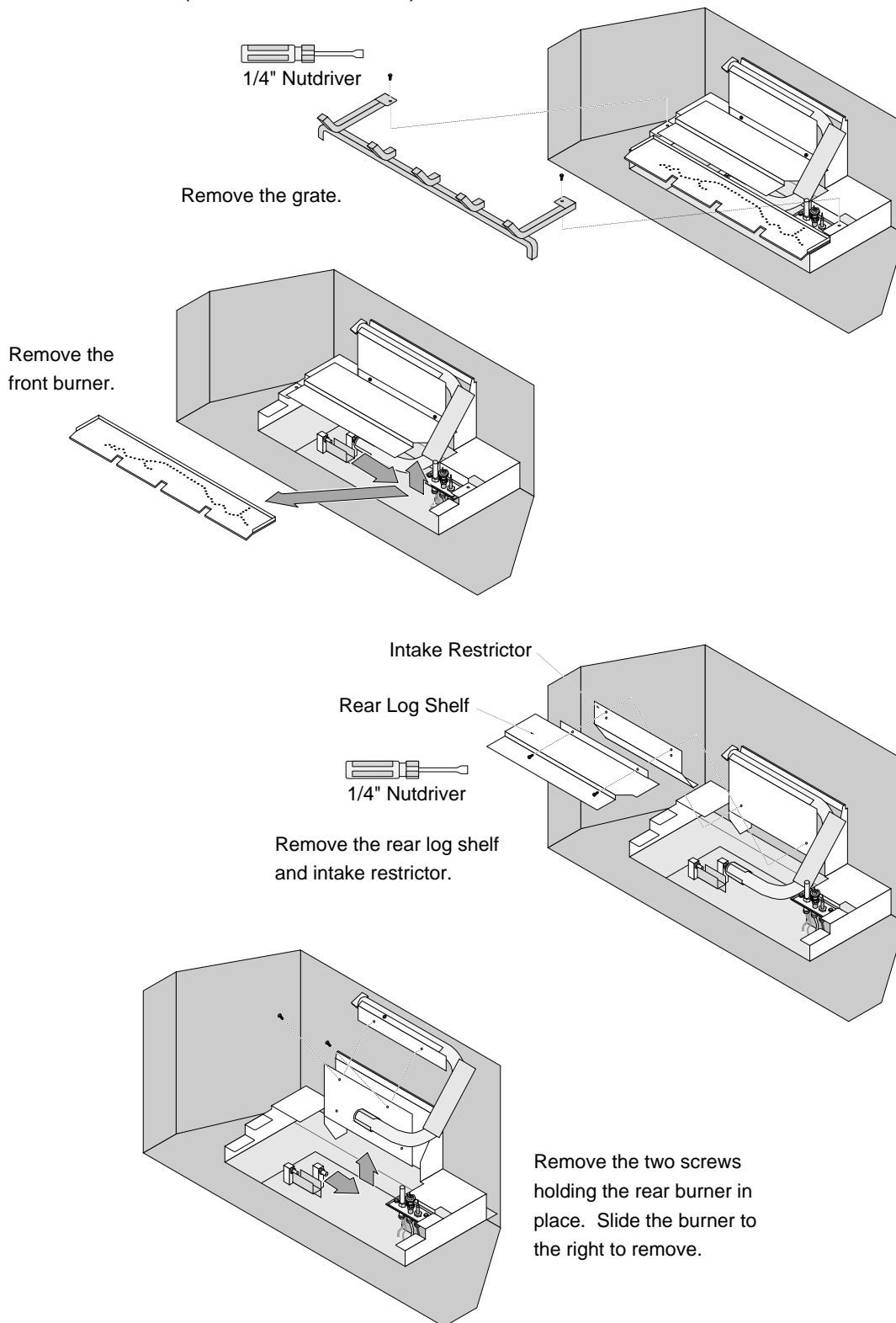
## IF WARRANTY SERVICE IS NEEDED:

- If you discover a problem that you believe is covered by this warranty, you **MUST REPORT** it to your TRAVIS dealer **WITHIN 30 DAYS**, giving them proof of purchase, the purchase date, and the model name and serial number.
- Travis Industries has the option of either repairing or replacing the defective component.
- If your dealer is unable to repair your appliance's defect, he may process a warranty claim through TRAVIS INDUSTRIES, INC., including the name of the dealership where you purchased the appliance, a copy of your receipt showing the date of the appliance's purchase, and the serial number on your appliance. At that time, you may be asked to ship your appliance, freight charges prepaid, to TRAVIS INDUSTRIES, INC. TRAVIS INDUSTRIES, INC., at its option, will repair or replace, free of charge, your TRAVIS appliance if it is found to be defective in material or workmanship within the time frame stated within this 7 year warranty. TRAVIS INDUSTRIES, INC. will return your appliance, freight charges (years 1 to 5) prepaid by TRAVIS INDUSTRIES, INC., to your regional distributor, or dealership.
- Check with your dealer in advance for any costs to you when arranging a warranty call. Mileage or service charges are not covered by this warranty. This charge can vary from store to store.

### LP Conversion Instructions

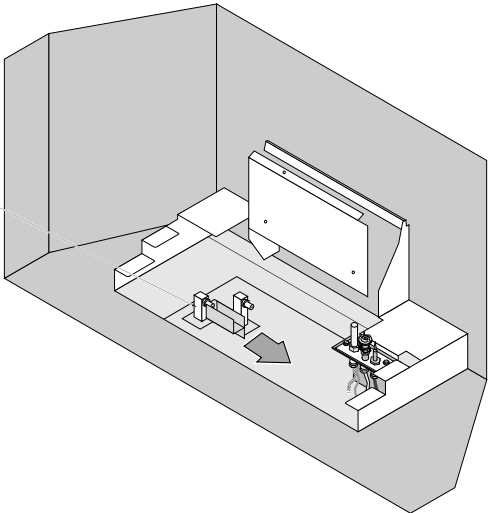
**Install the conversion kit prior to installing the gas line to ensure proper gas use.**

- 1 Remove the glass (see page 41). Remove the logs and coals (if installed - page 43)
- 2 Remove the burner (see illustration below).

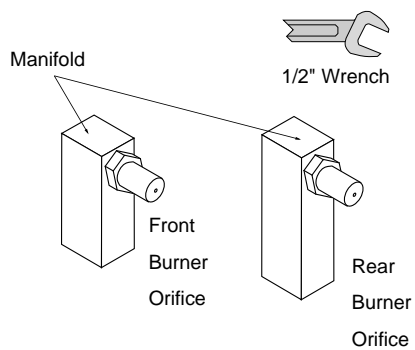


3 Follow the directions below to replace the orifice.

**(a)** Slide the air shutter all the way to the right.

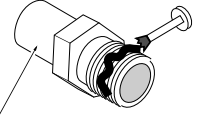


**(b)** Use a 1/2" open end wrench to unscrew the two orifices.



Manifold  
1/2" Wrench  
Front Burner Orifice  
Rear Burner Orifice

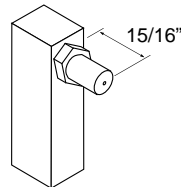
**(c)** Apply thread sealant to the LP orifices prior to installation. Use the chart below to identify the correct orifices.



Look here for the orifice identification

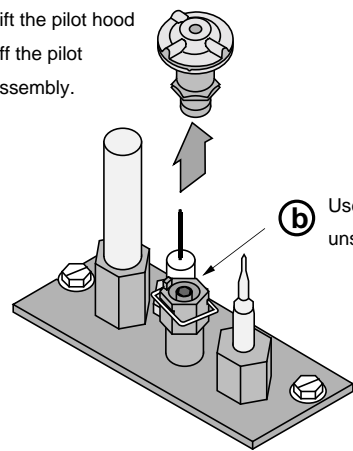
	NG	LP
Front	#49	#57
Rear	#49	#57

**(d)** Screw each LP orifice in so the orifice protrudes 15/16" (indicating full insertion).

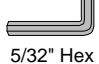


4 Remove the pilot orifice following the instructions below. Replace with the propane pilot orifice

**(a)** Lift the pilot hood off the pilot assembly.

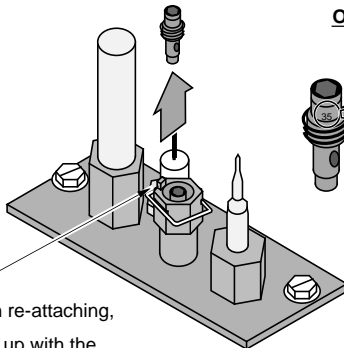


**(b)** Use a hex wrench to unscrew the orifice.

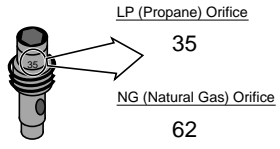


5/32" Hex

**(c)** Remove the orifice and replace with the LP orifice. Screw the orifice all the way in and replace the pilot hood.



**Orifice Identification:**

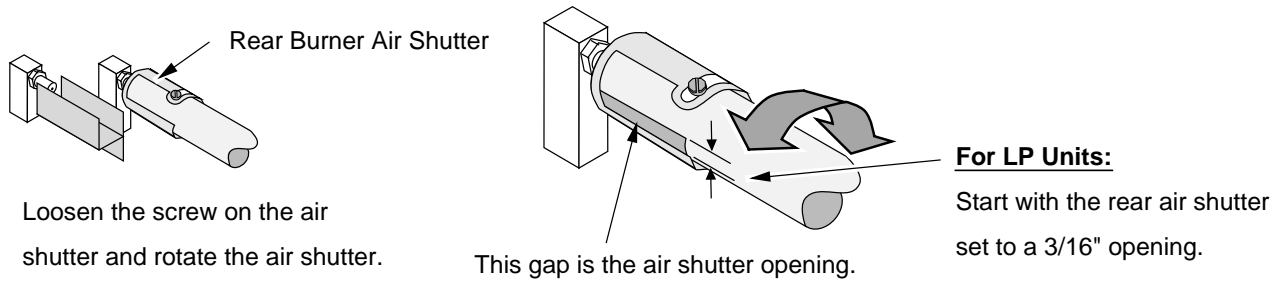


LP (Propane) Orifice  
35  
NG (Natural Gas) Orifice  
62

**NOTE:** when re-attaching, this pin lines up with the notch in the pilot hood.

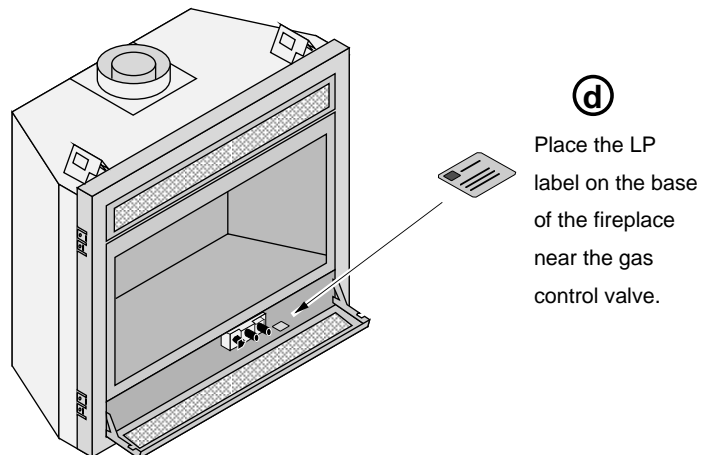
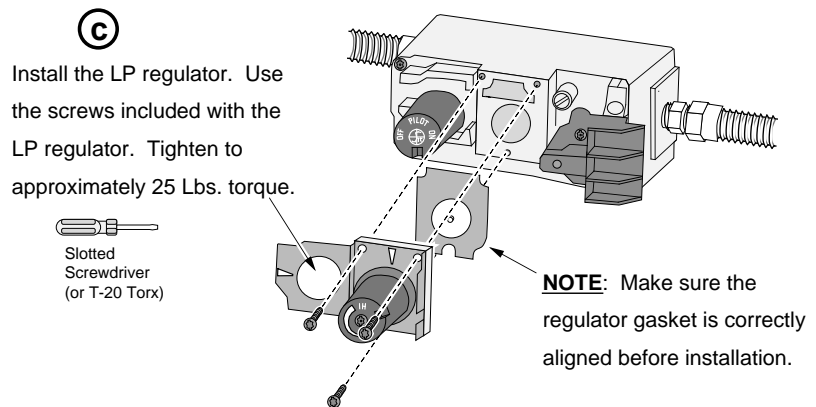
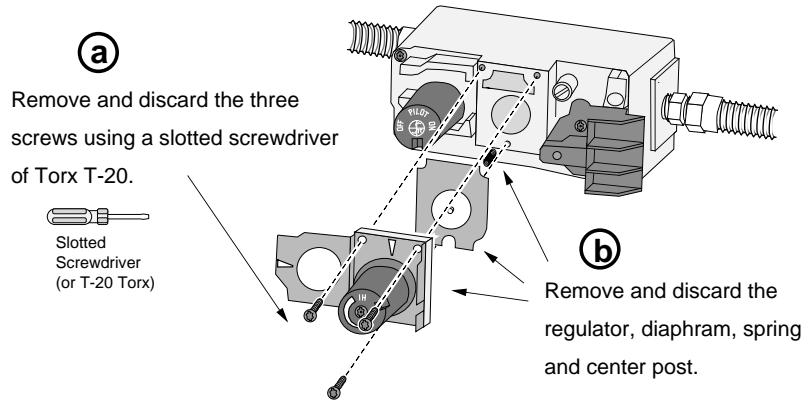
# 64 Optional Equipment (for qualified installers only)

5 Replace the rear burner. Set the rear burner air shutter to a 3/16" gap.



6 Replace the firebox components. Install the logs and embers. Replace the glass.

7 Remove the regulator from the front of the gas control valve. Replace with the propane regulator, using the new gasket and screws included with the regulator. **NOTE: Leak test this area after the heater is installed, gas is connected, and the main burner is lit.**

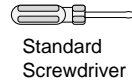




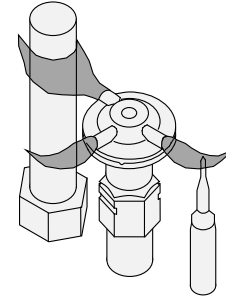
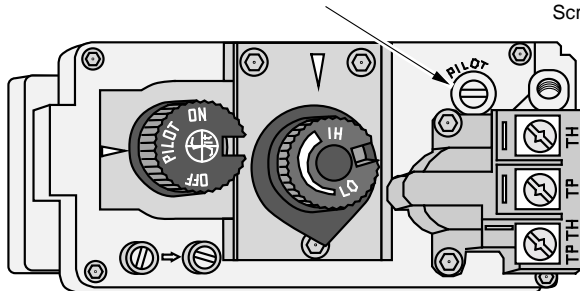
- 8 Make the gas line connection, bleed the gas line (if applicable), start the heater and thoroughly leak-test all gas connections and the gas control valve. Check the pilot. Adjust if necessary.

**WARNING:** When lighting or re-lighting the pilot, the glass must be removed (see page 41).

To adjust the pilot flame, turn this screw (NOTE: if totally unscrewed gas will come out of this port). Clockwise lowers the flame while counter-clockwise raises it.



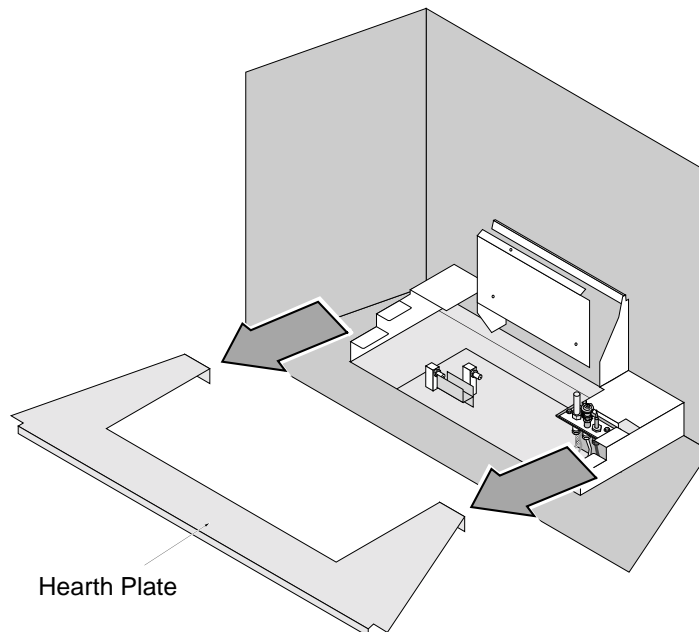
The pilot flame must contact the thermocouple and thermopile (see the illustration below). Adjust the pilot up or down as necessary.



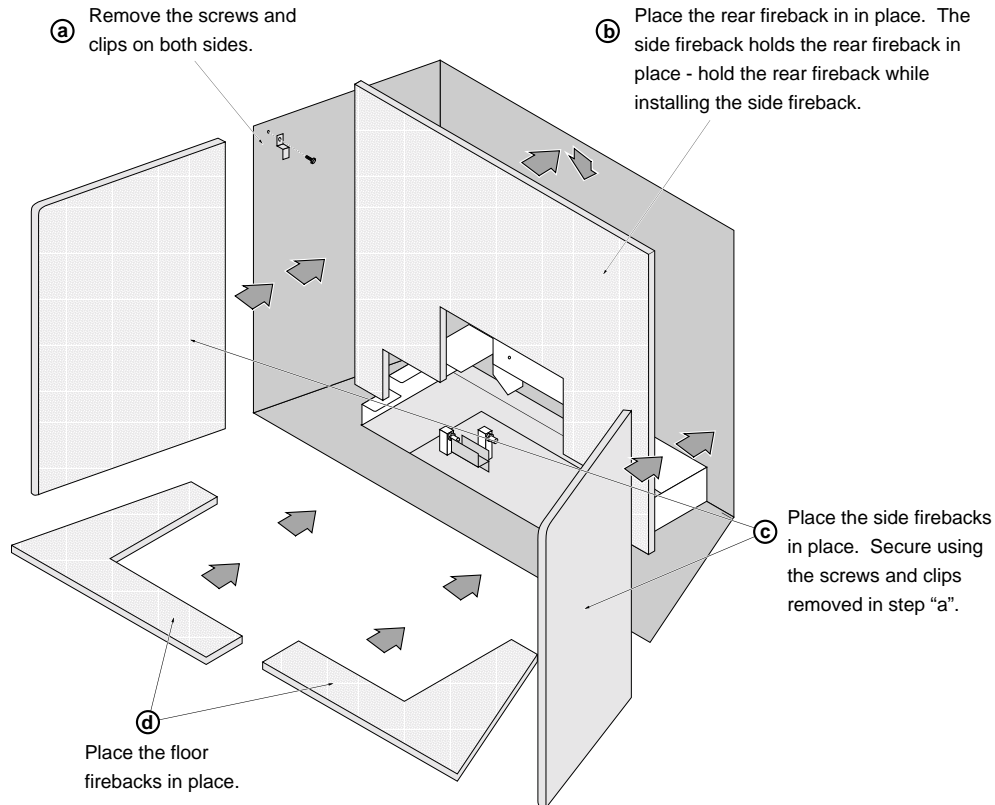
## Fireback Installation

**WARNING** Turn off gas to the appliance and make sure it has fully cooled prior to conducting service.

- 1 Remove the glass frame and logs.
- 2 Remove the front and rear burners (see page 62).
- 3 Remove and discard the hearth plate.



- 4 Install the firebacks following the directions below.



- 5 Restore the fireplace to the correct configuration.

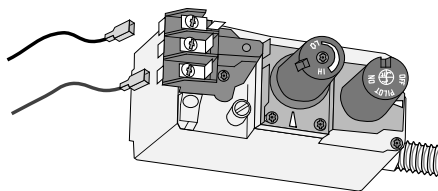
## Wall Switch Installation



Do not connect 110-120 VAC to the gas control valve or wiring system of this fireplace. The switch must be installed by a qualified installer.

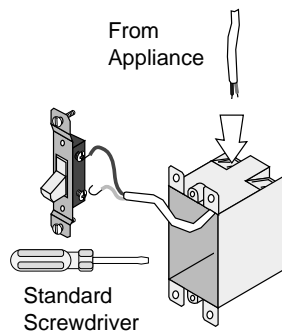
1. Attach the included wire to the gas control valve.

Attach the two receiver wires to the top and bottom posts on the gas control valve (orientation does not matter).

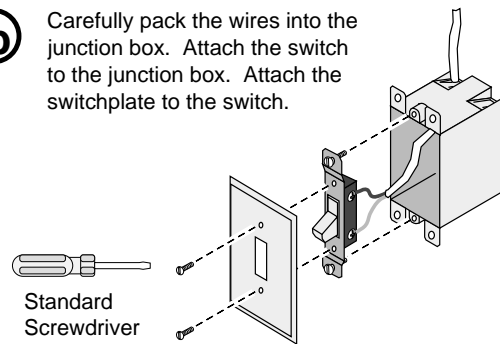


2. Determine a location for the wall switch (the wire is a maximum 25' long). Route the wire through the gas inlet hole (either side) to the junction box and attach following the directions below. Set the on/off switch on the appliance to "OFF" to control the appliance with the wall switch.

- a** Insert the wire through the back of the mounted junction box (your junction box may look different). Expose 1/2" of each wire. Secure the wires to the posts on the side of the on/off switch (orientation does not matter).



- b** Carefully pack the wires into the junction box. Attach the switch to the junction box. Attach the switchplate to the switch.



## Blower Installation (part # 99000156)



Make sure power to the fireplace has been turned off prior to installation (disable the service breaker).

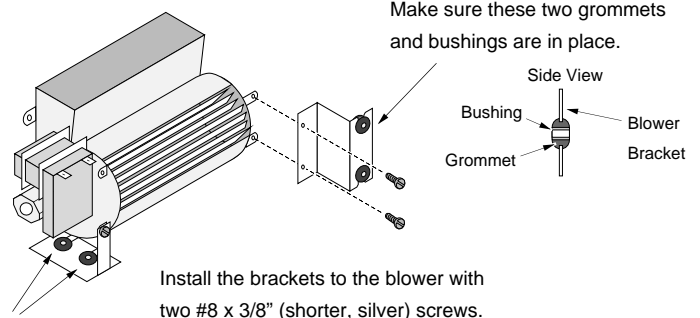


Do not connect 110-120 VAC to the gas control valve or wiring system of this fireplace.



It is easier to install the blower prior to connecting the gas line.

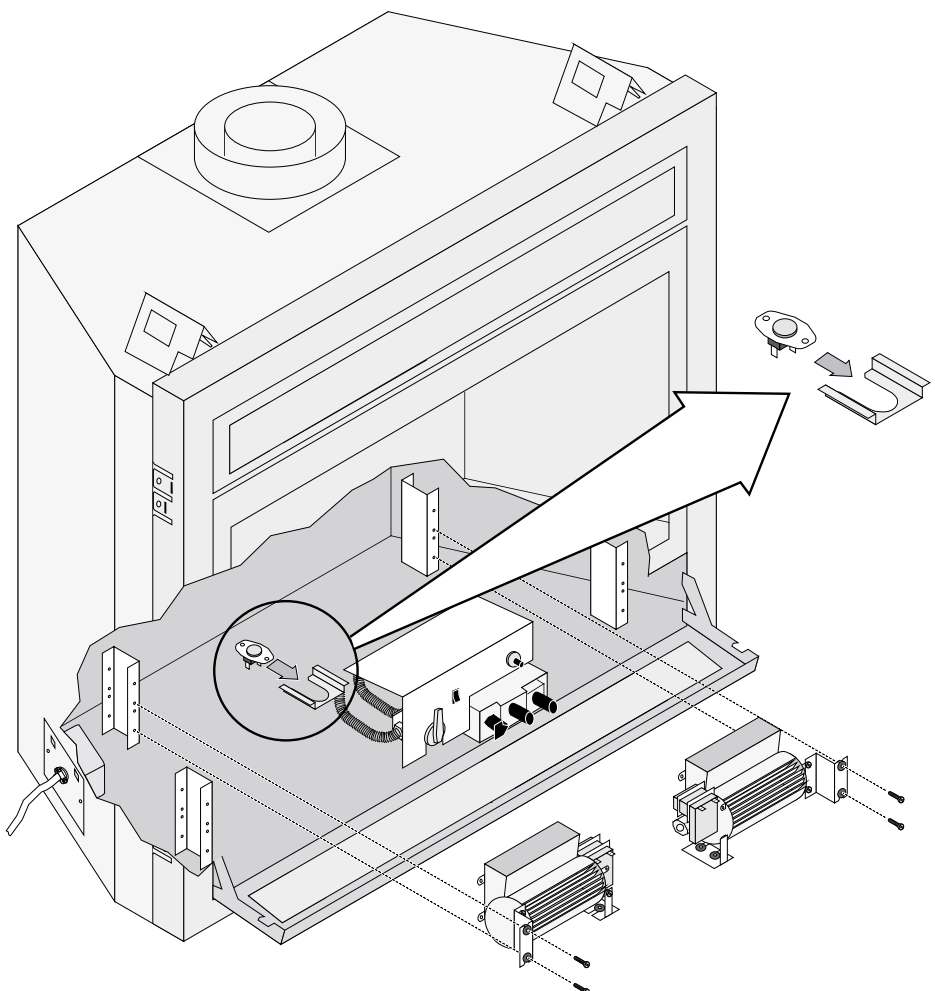
1. Attach the right side blower to a blower bracket following the directions below.
2. Repeat step 1 for the left side blower.



Make sure these two grommets are in place (they insulate the fireplace from blower vibration)

3. Attach the blowers (use the #8 x 3/4" silver screws) and snap disc (see the directions below).

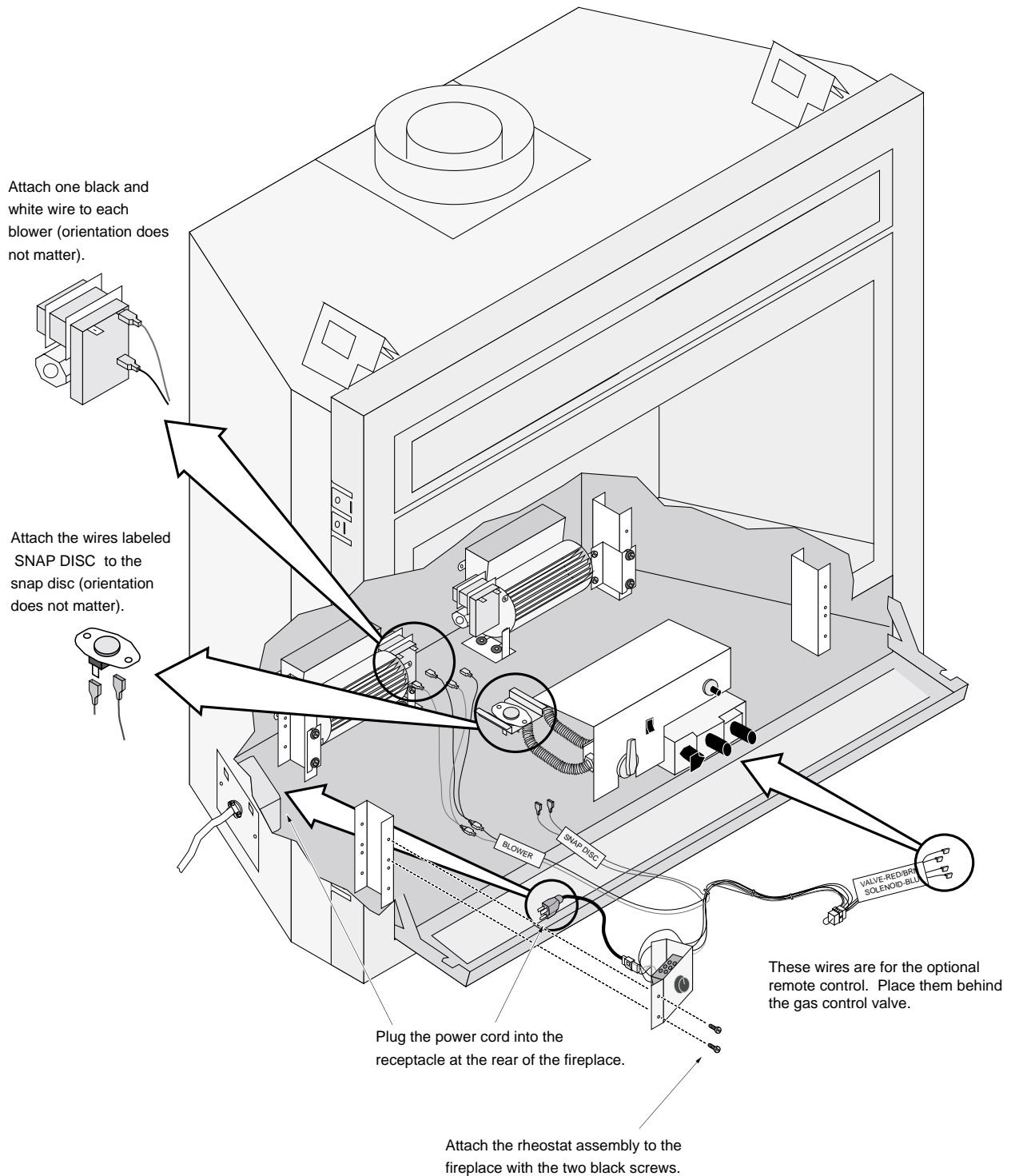
**NOTE:** Make sure the grommets (and bushings) stay in place while installing. The rubber grommets insulate the fireplace from any blower vibration (reducing noise).



4. Attach the wiring and rheostat assembly following the directions below.

**NOTE:** You may need to cut or adjust some of the lock ties on the wiring harness.

**NOTE:** Make sure wiring does not contact blower impellers or any hot surfaces. Use lock-ties if necessary.



5. Turn on power to the fireplace.

**NOTE:** To test the blower without turning on the fireplace, use a jumper wire to connect the two snap wires together (turn off power prior to connecting the jumper wire).

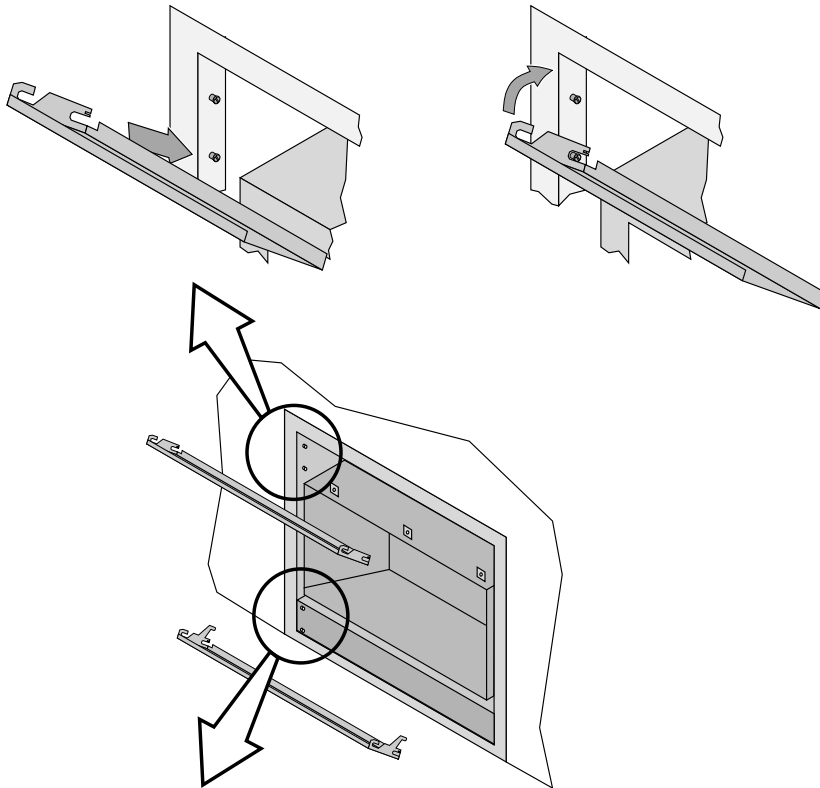
## Grill Installation

Certain faces allow for installation of an upper and lower grill. Follow the directions below to install.

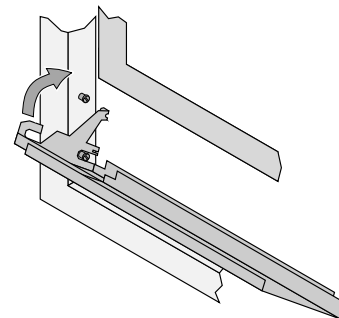
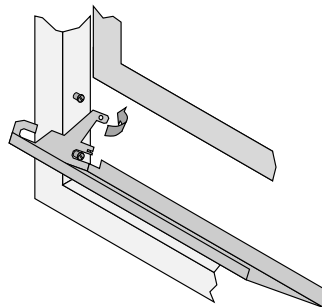
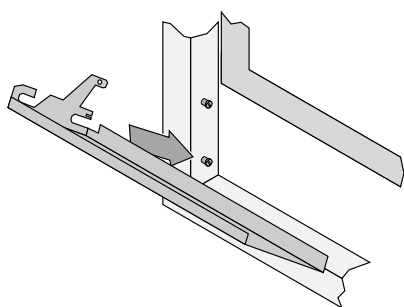
### Upper Grill Installation

Hold the grill at an angle and insert the lower slot over the bushing on the fireplace (both sides). You may need press on the grill to get the tab over the bushing (this prevents the grill from accidentally falling off).

Swing the grill upwards to engage the second slot. You will need to lift the grill slightly to get it over the bushing. Once in place the grill is held in place by gravity.



### Lower Grill Installation



Hold the grill at an angle and insert the lower slot over the bushing on the fireplace (both sides). You may need press on the grill to get the tab over the bushing (this prevents the grill from accidentally falling off).

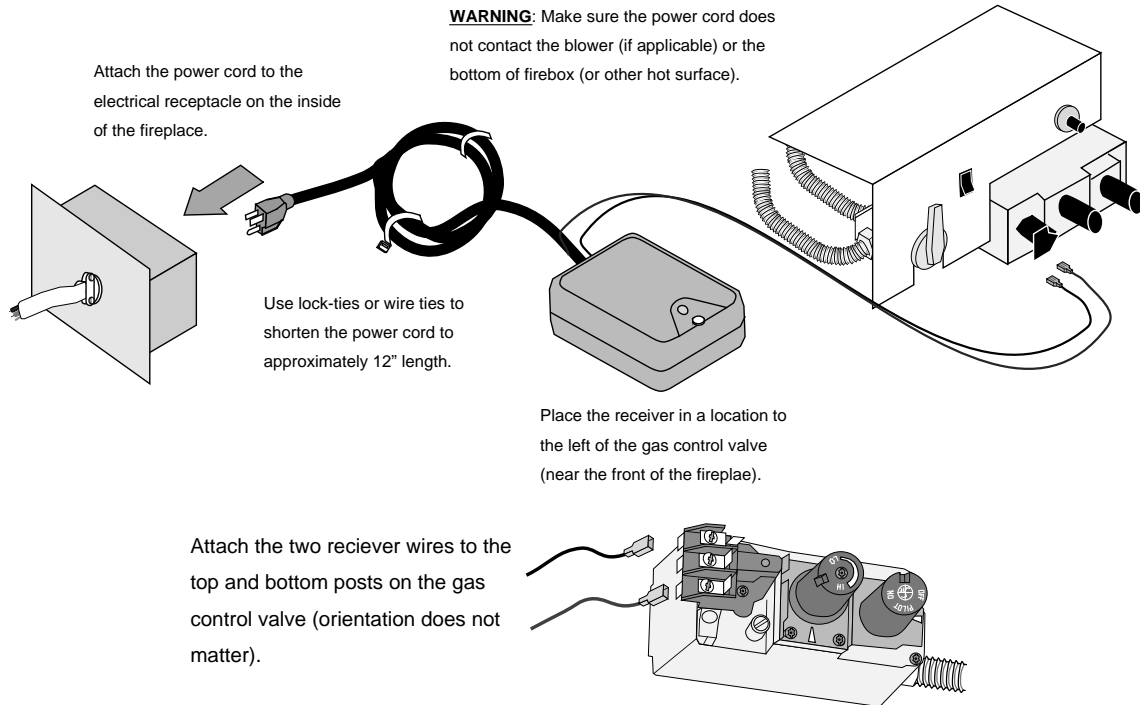
Bend this the tab over on both sides. This is the end-stop for the lower grill, it allows the grill to swing forward.

Swing the grill upwards to engage the second slot. You will need to lift the grill slightly to get it over the bushing. Once in place the grill is held in place by gravity.

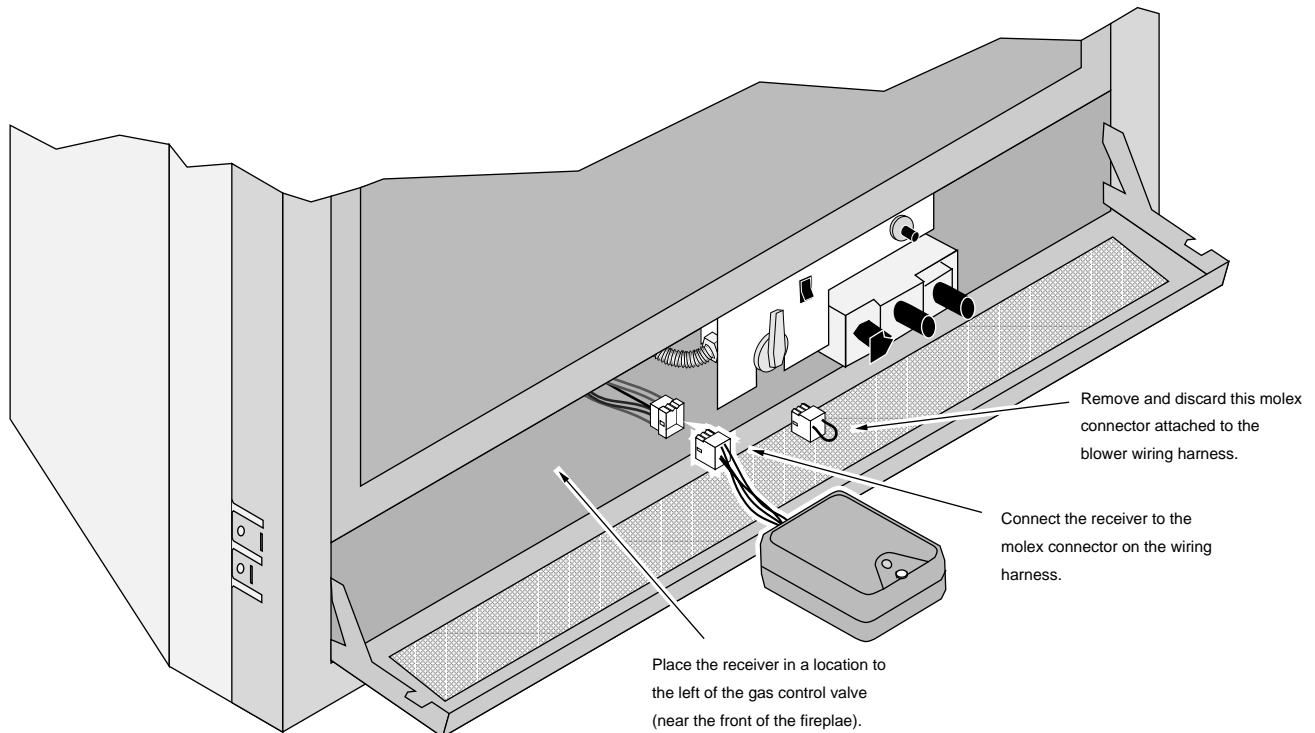
## Remote Control Receiver Installation (2 Options)

The instructions below detail installation of the optional remote control receiver. For operating instructions, refer to the instructions included with the remote.

### OPTION # 1 - Remote Thermostat (99300653)



### OPTION # 2 - Remote Thermostat (99300677) - Requires the Optional Blower



## Power Heat Duct

### Packing List

- Blower Box
- Rheostat
- Floor Boot
- Starter Ring
- Duct Adapter (6" Round to 10" by 3-1/4")
- Grill (with 2 screws)
- 4 #8 Sheet Metal Screws
- 4 #8 Wood Screws
- Wall Adapter
- Wall Mounting Brackets (2)
- Cable Clamp
- 2 Knobs
- Thermodisk (for modulating remotes)
- 6" Round Duct (2' – 20' Length)
- 2 Junction Boxes
- 2 Cover Plates (w/ screws)
- Electrical Connector

### Installation Overview

The optional heat duct allows the fireplace to transfer heat to separate locations in the home. One or two ducts may be used (864TRV may only use one). Installation should take place prior to installing drywall.

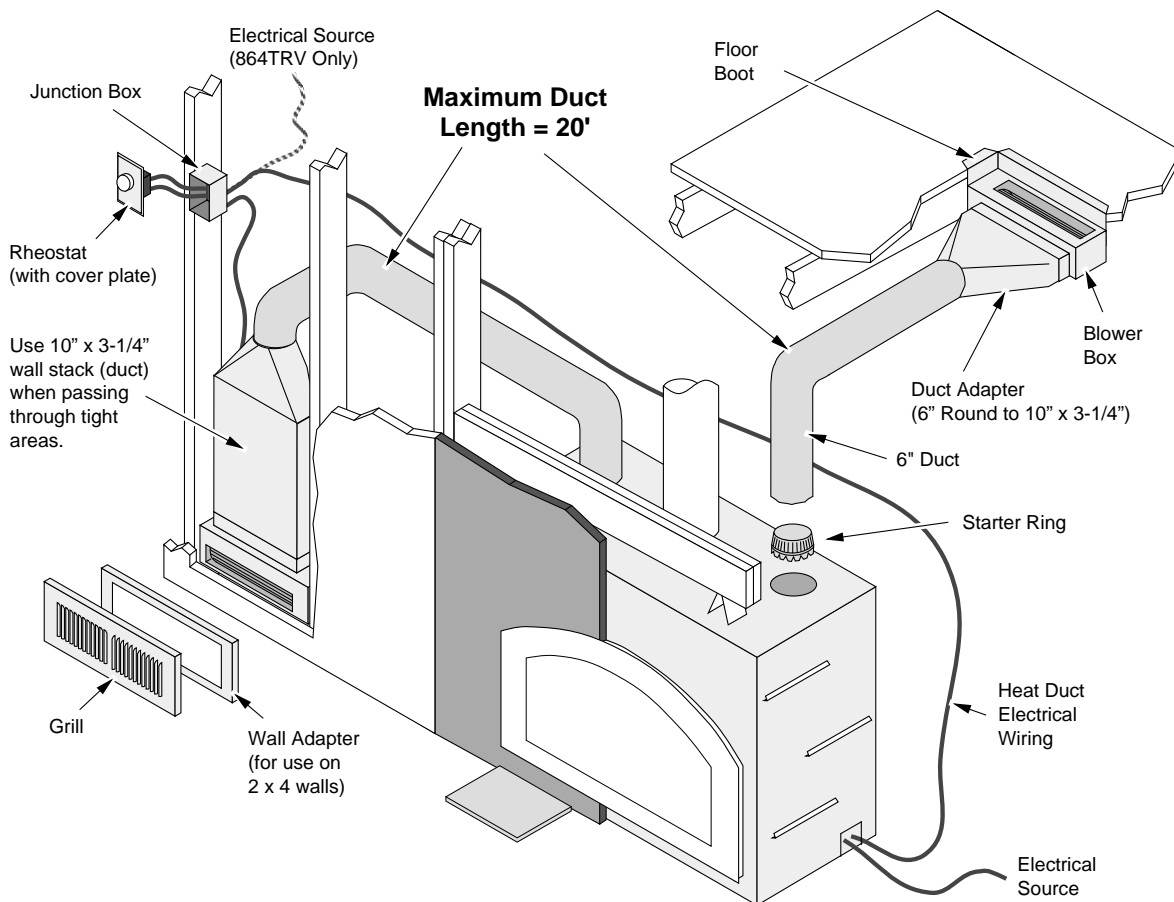
**Warning:** This kit must be installed as specified in these instructions. Do not modify any component.

**Warning:** Use of any external blower other than the Travis Power Heat Duct Blower will void the warranty and listing of this appliance and may create a fire hazard.

**Note:** The power heat duct **must** be installed by a qualified service technician.

**Note:** Some building codes may require the use of firestop spacers whenever the duct passes from room to room.

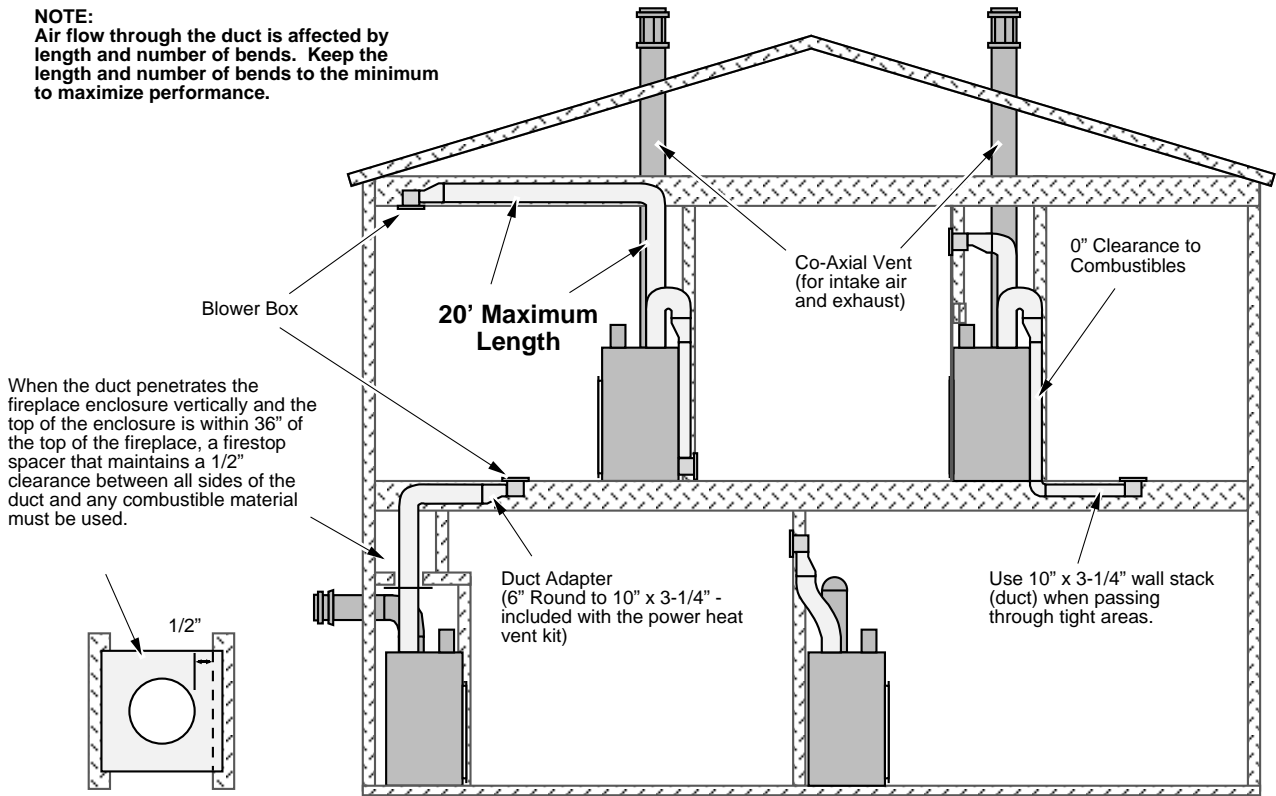
**Note:** When routing ducts through a cold area (e.g. crawl space) we recommend insulating the duct with fiberglass insulation. If paper-backed insulation is used, the paper can not contact the duct.



Duct Installation Instructions

Determine the route for the heat duct using the illustration below as a guide.

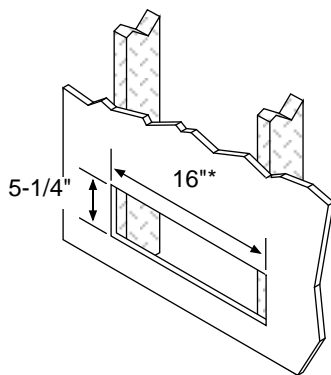
**NOTE:**  
Air flow through the duct is affected by length and number of bends. Keep the length and number of bends to the minimum to maximize performance.



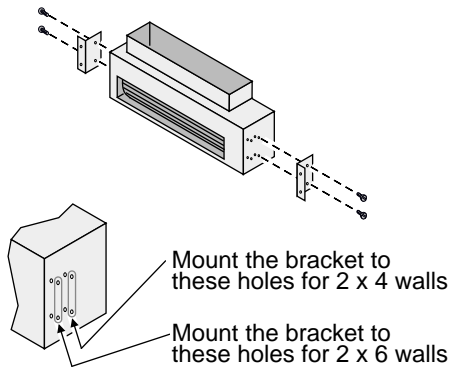
Attach the blower box to the framing or floorboards of the home following the instructions below.

Wall or Ceiling Mounting

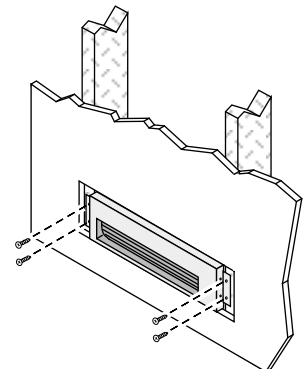
**(a)** Cut a hole between wall framing members for the blower assembly.



**(b)** Attach the wall mounting brackets to the blower box.



**(c)** Slide the blower, with wires, into the hole cut in step "a". Attach with four screws.

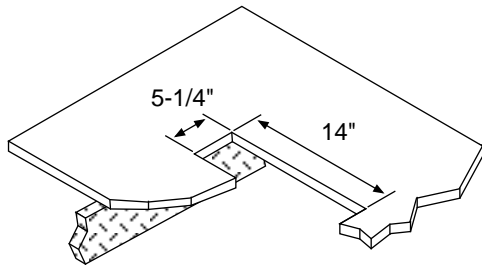


\* This blower was designed for framing on 16" centers. Construct additional framing if needed. If the blower is installed prior to the drywall only a 14" opening is required. If installed after the drywall is in place, the drywall to the sides of the blower will need to be patched.

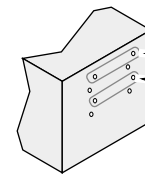
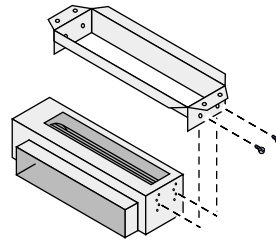


## Floor Mounting

- a** Cut a hole between floor joists for the blower box.

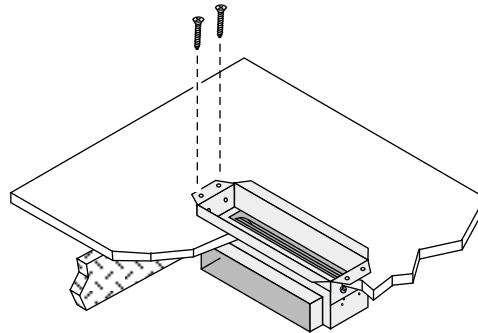


- b** Attach the floor boot to the blower box with the included screws.

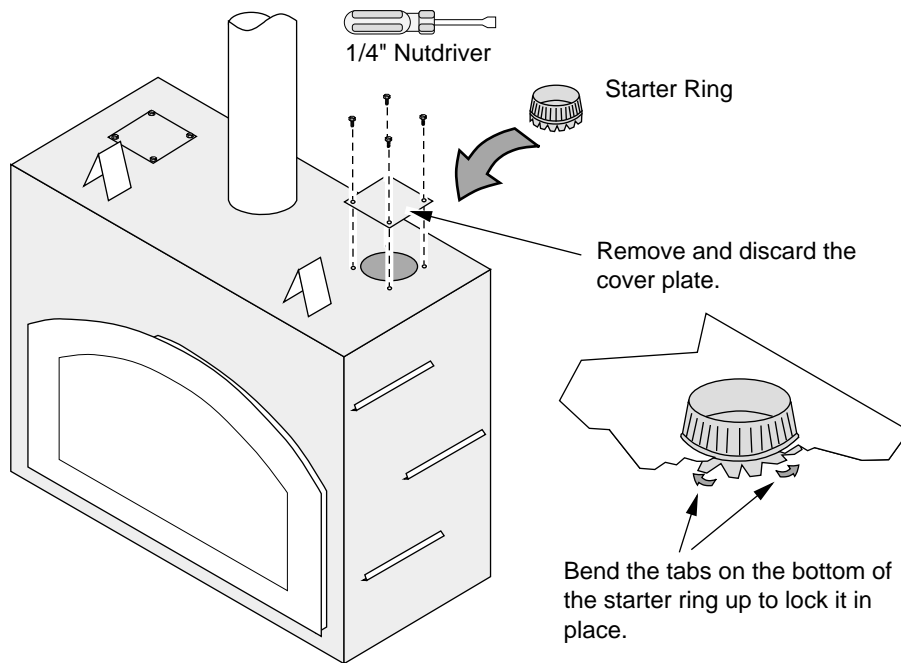


The screws attach to either of these pairs of holes. Use the upper pair for thick flooring, the lower pair for thin flooring.

- c** Slide the blower into the hole cut in step "a". Attach with four screws.

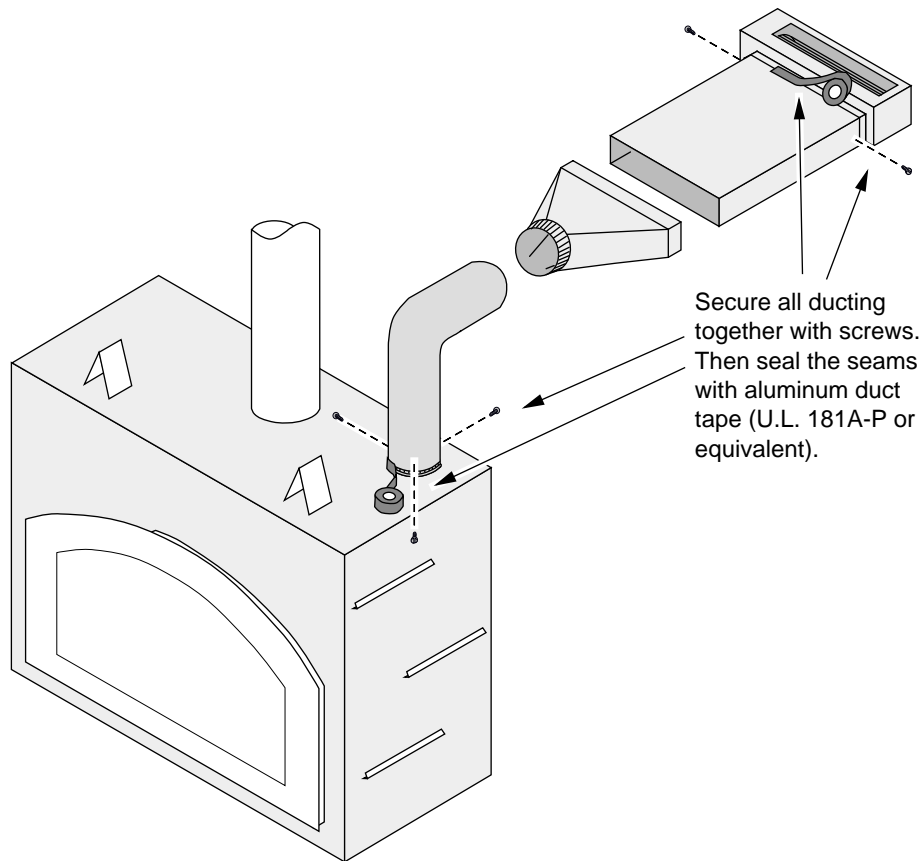


Attach the starter ring to the fireplace following the directions below (use the most convenient side - 864TRV has only one opening on the right side).

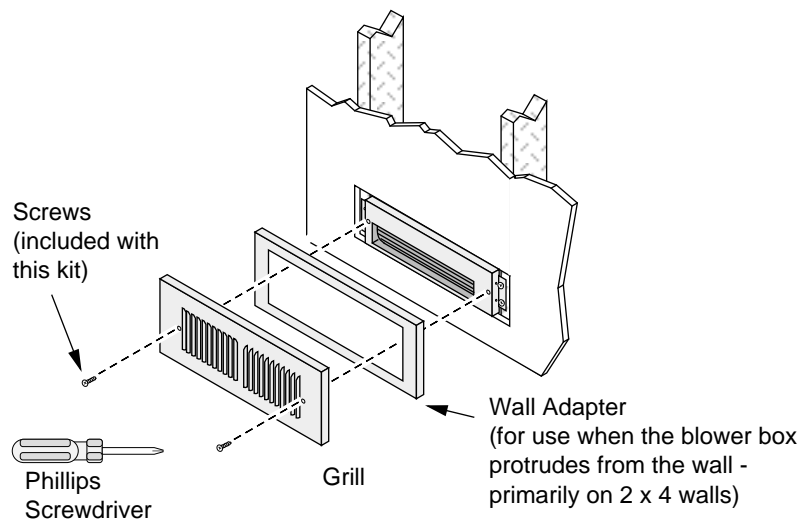


Install the air duct. Each section, when joined, must be attached with three screws and aluminum duct tape (U.L. 181A-P or equivalent). Secure the duct if it is in an area where it may sag or become dislodged.

**NOTE: The air duct has a 0" clearance to combustibles.**



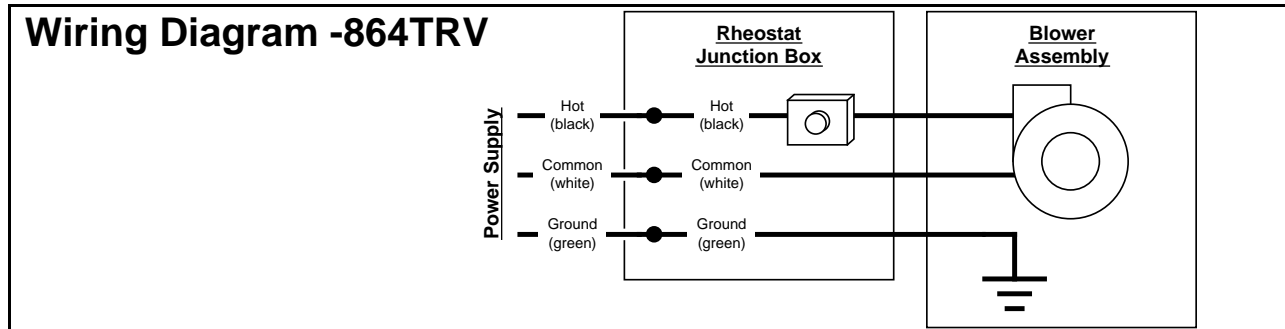
Attach the grill (and wall adapter, if necessary).



## WIRING INSTRUCTIONS

**Warning:** All wiring should be done by a qualified electrician and shall be in compliance with local codes and with the current National Electric Code ANSI/NFPA 70 (in the U.S.), or with the current CSC22.1 Canadian Electric Code (in Canada).

**Warning:** Make sure the fireplace electrical circuit is disabled prior to working on electrical hookup.



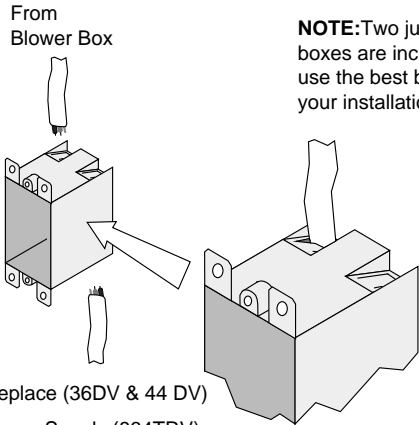
1 Follow the directions below to wire the blower box.

- a** Remove the cover from the blower box.
- 
- b** Insert sheathed cable through the cable clamp. After the wires have been connected tighten the clamp to secure the cable.
- 
- c** Attach the hot (black) and common (white) wires to the leads coming from the wires (use wire nuts).
- 
- d** Secure the ground wire to the ground stud inside the blower box by tightening the included nut over the ground wire. Re-attach the cover removed in step "a".
-

- 2 Follow the directions below to wire the rheostat. **NOTE:** There are two types of junction boxes, use the appropriate junction box for your installation.

**a**

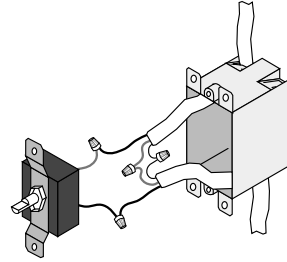
Force the sheathed cable through one of the locking flaps on the junction box (repeat for the other cable). Some force is needed. The flap will lock the cable in place.



**NOTE:** Two junction boxes are included - use the best box for your installation.

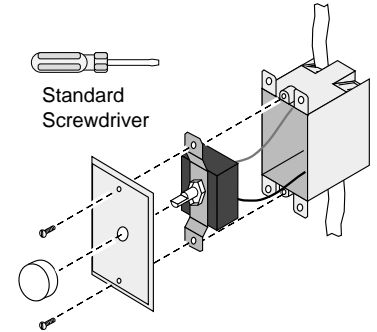
**b**

Attach the common (white) wires together. Attach the ground (exposed or green) wires together. Then attach each of the hot (black) wires from the cables to the two wires on the rheostat (orientation does not matter). Carefully pack the wires into the junction box.



**c**

Attach the cover plate (either white or beige) with the included screws. Slide the knob (either white or beige) over the rheostat shaft.



- 3 Run the free wire from the rheostat junction box to the power supply. The thermodisk included with this kit may be discarded (it is not used on this fireplace).

## OPERATING INSTRUCTIONS

Allow the fireplace to reach normal operating temperature. Then use the wall-mounted rheostat to operate the blower speed.

**864TRV:** Turn the blower off when the fireplace is not in operation.

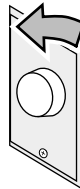
### OFF

Turn the dial all the way counter-clockwise until it clicks off.



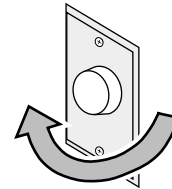
### HIGH

The high position is all the way counter-clockwise, **without** clicking off.



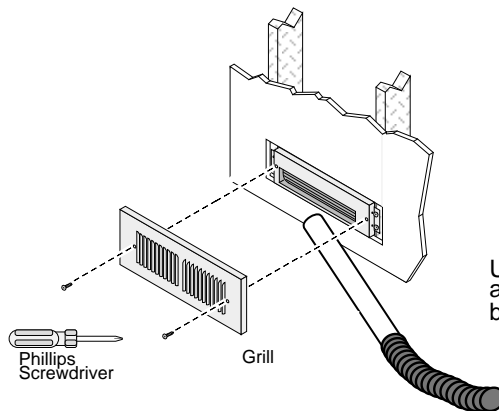
### LOW

Turn the dial all the way clockwise.



## MAINTENANCE INSTRUCTIONS

Once a year the grill should be removed and the blower area cleaned. Use a vacuum to clean around the squirrel-cage blower, being careful not to damage any of the blades.



Use a vacuum cleaner to remove any debris from the power vent blower.

## Index

Air Shutter Adjustment .....	49	LP Conversion Instructions .....	62
Blower Operation .....	54	Maintaining Your Fireplace's Appearance .....	55
Cap (Termination) Requirements .....	31	Mantel Requirements .....	40
Clearances .....	11	Nailing Brackets .....	14
Condensation on Glass (see "Starting Fireplace") .....	53	Odors (see "Normal Operating Odors") .....	54
Controls .....	51	On / Off Operation .....	53
Corner Installations .....	15	Packing List .....	7
Dimensions .....	6	Pilot Flame - Starting .....	52
Electrical Connection .....	20	Pilot Flame Inspection .....	48
Facing Requirements .....	33	Propane Conversion (LP Conversion Instructions) .....	62
Fan Operation .....	54	Replacement Parts List .....	59
Features .....	6	Restrictor Position .....	23
Flame Height .....	53	Safety Label .....	60
Framing Dimensions .....	12	Safety Precautions .....	4
Fuel .....	18	Service (Yearly Service Procedure) .....	55
Gas Line Connection .....	18	Smells (see "Normal Operating Odors") .....	54
Gas Line Location .....	19	Sounds .....	54
Gas Line Requirements .....	18	Specifications .....	6
Glass Frame Removal and Installation .....	41	Starting the Fireplace for the First Time .....	53
Hearth Requirements .....	32	Troubleshooting Table .....	57
How this Fireplace Works .....	58	Turning the Fireplace On and Off .....	53
Installation Options .....	6	Vent Requirements .....	21
Installation Overview .....	8	Warnings .....	4
Installation Warnings .....	7	Warranty .....	61
Log Set Installation .....	43	Window (Glass) Removal and Installation .....	41
		Wiring Diagram .....	59